

John Deere Tractors 6230, 6330, 6430 Premium (North American) Service Repair Technical Manual (TM8079)

310L Backhoe Loader Operation and Test

(PIN: 1BZ310LA__D000001—;

PIN: 1BZ310LA__C000001—)



JOHN HARE



COLLECTION

OPERATION & TEST TECHNICAL MANUAL

310L Backhoe Loader

(PIN: 1BZ310LA__D000001—;PIN: 1BZ310LA__C000001—)

TM14156X19 01DEC18 (ENGLISH)

For complete service information also see:

310L Backhoe Loader Repair..... TM14157X19

PowerTech 4.5L & 6.8L Diesel Engines Tier 1/Stage I, Tier
2/Stage II, Tier 3/Stage IIIA, Tier 3/Stage IIA Tier 3/Stage III,
(Base Engine)..... TM14104

PowerTech 4.5L and 6.8L Diesel
Systems.....

TeamMate IV 1400 Series Inboard
Hydraulic Cylinders.....



Worldwide Construction and
Forestry Division

Covers: 6230,6330,6430

Type: Service Manual

Language: English

Pages: 2069

Format: PDF

Features: Bookmarked, searchable, printable

Compatibility: Windows/Mac/Tablet/Mobile

This service manual contains important information for the maintenance, troubleshooting and servicing of the **John Deere Tractors 6230, 6330, 6430 Premium (North American) Service Repair Technical Manual (TM8079)**

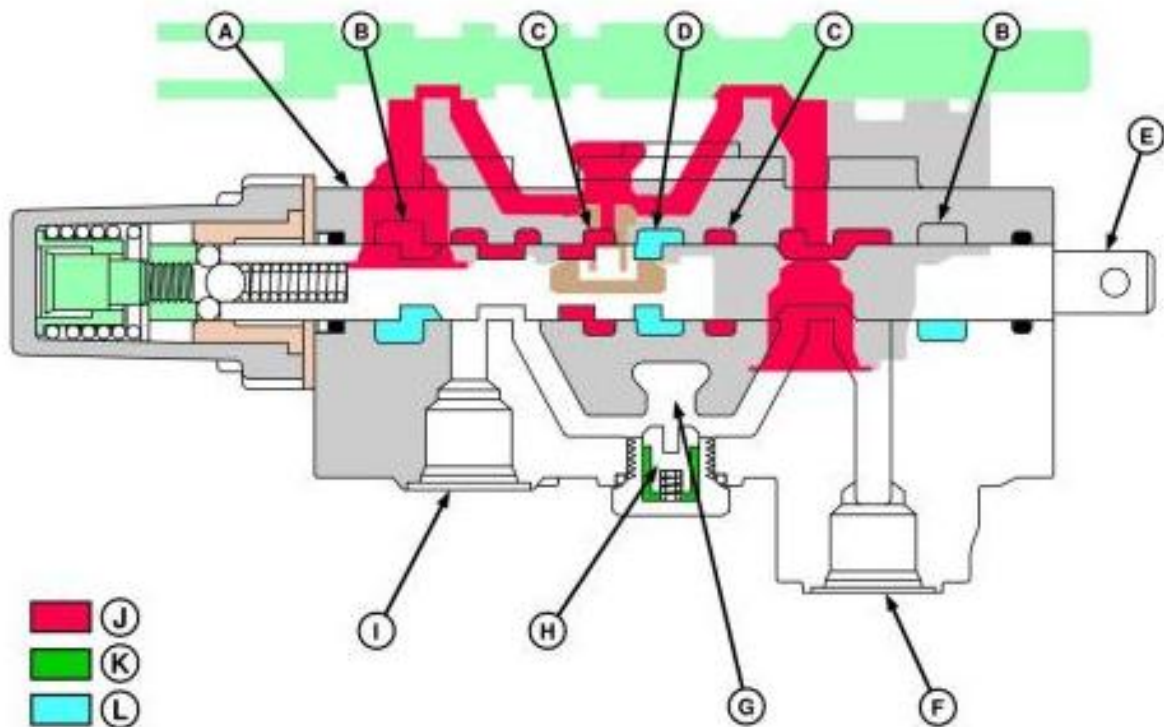
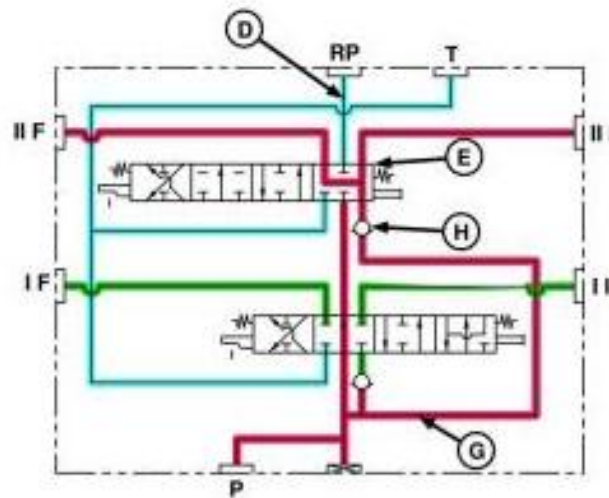
In this manual you will find detailed specifications, illustrations, schematics, diagrams and step-by-step procedures to properly service and diagnose the machine to the manufacturer's standards.

Contents:

- General Information
- Specifications
- Serial Number Location
- Engine Specifications
- Engine Diagnostics
- Engine Tests and Adjustments
- Engine Repair
- Power Train
- Transmission
- Axles
- Differential
- PTO
- Hydraulic System
- Electrical System
- Electrical Tests and Diagnostics
- Wiring Diagram / Schematic
- Ignition and Charging
- Steering
- Brakes
- Wheels
- Operator's Platform
- Body Panels
- Disassembly and Assembly
- Diagnostics, Tests and Adjustments
- Troubleshooting
- and much more...

Please note this manual is in **downloadable PDF format only**. If you have any questions about this product or would like to request sample pages, please contact us and reference the product name or SKU.

Regenerative SCV Operation-Isolated Open Operator Station and Cab Tractors (Regenerative Position)



SCV Operation-Isolated Open Operator Station and Cab Tractors-Regenerative

LEGEND:

- A Valve Housing
- B Sump Passage
- C Inlet Passages
- D Return Pressure Passage
- E Spool
- F Retract Port
- G Spool Inlet Passage
- H Load Check



Thank you very much
for your reading.
Please click here
to get more information.