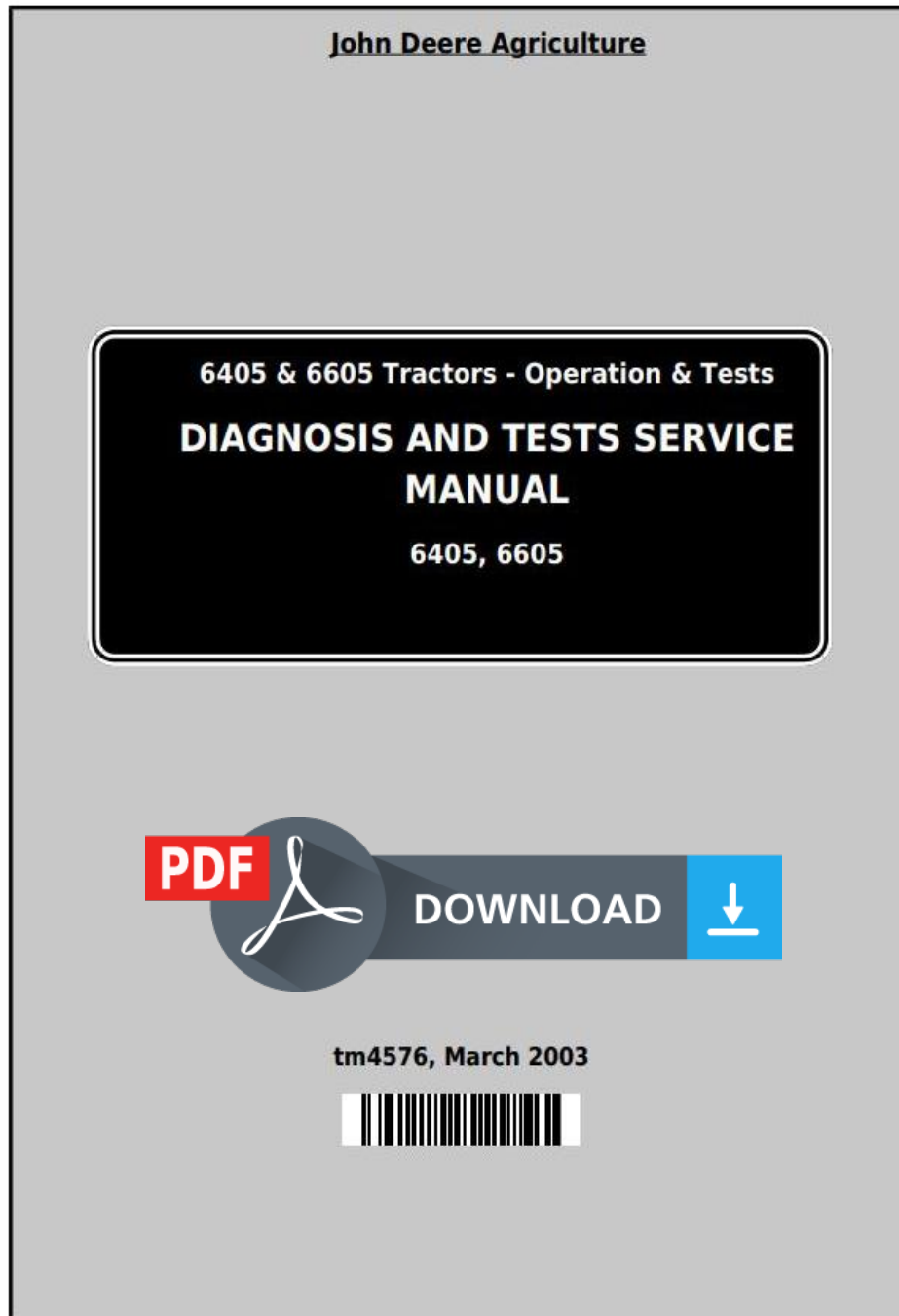


John Deere Tractors 6405, 6605 (North American) Diagnostic and Tests Service Manual (TM4576)



Covers: 6405,6605

Type: Service Manual

Language: English

Pages: 1411

Format: PDF

Features: Bookmarked, searchable, printable

Compatibility: Windows/Mac/Tablet/Mobile

This service manual contains important information for the maintenance, troubleshooting and servicing of the **John Deere Tractors 6405, 6605 (North American) Diagnostic and Tests Service Manual (TM4576)**

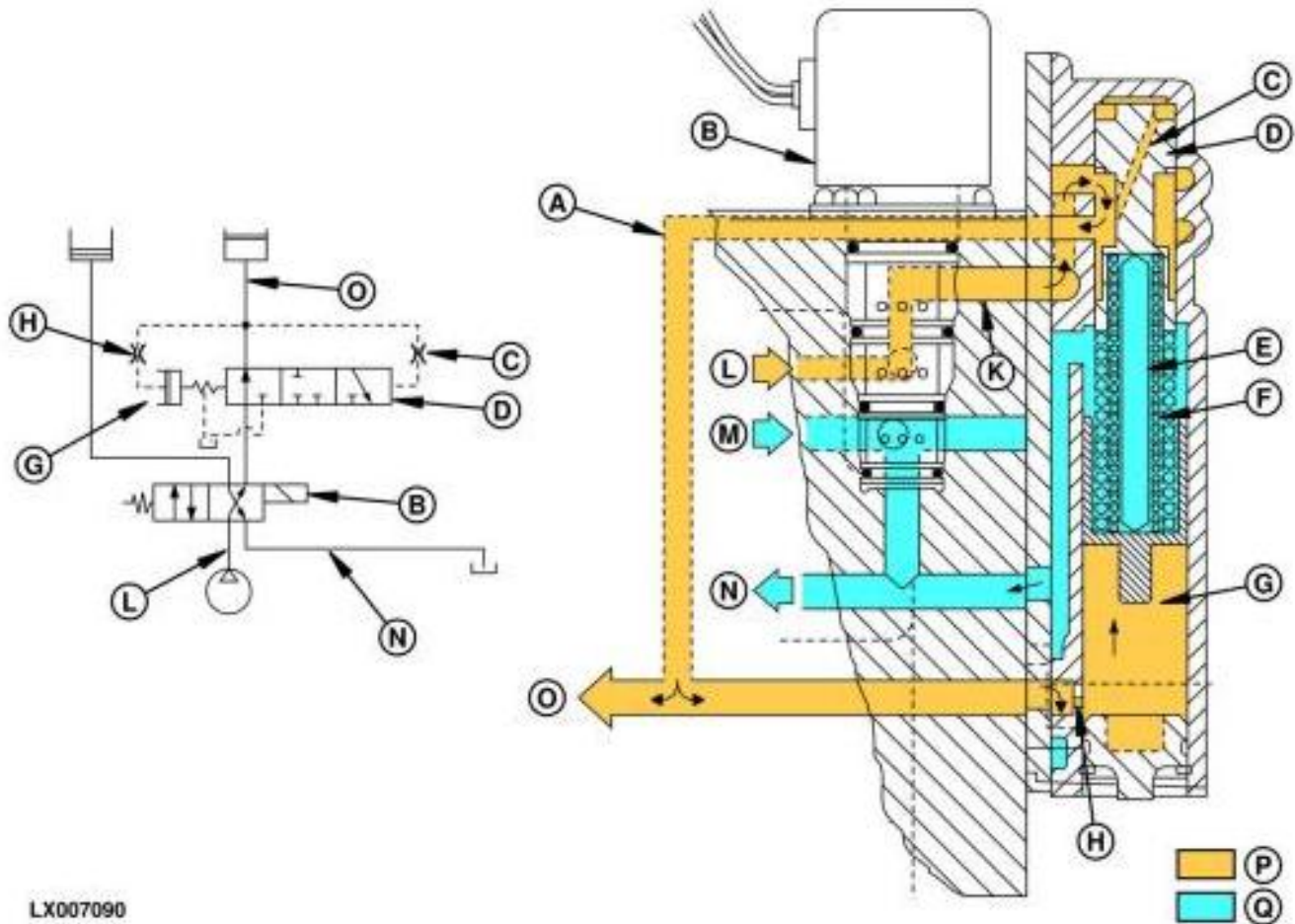
In this manual you will find detailed specifications, illustrations, schematics, diagrams and step-by-step procedures to properly service and diagnose the machine to the manufacturer's standards.

Contents:

- General Information
- Specifications
- Serial Number Location
- Engine Specifications
- Engine Diagnostics
- Engine Tests and Adjustments
- Engine Repair
- Power Train
- Transmission
- Axles
- Differential
- PTO
- Hydraulic System
- Electrical System
- Electrical Tests and Diagnostics
- Wiring Diagram / Schematic
- Ignition and Charging
- Steering
- Brakes
- Wheels
- Operator's Platform
- Body Panels
- Disassembly and Assembly
- Diagnostics, Tests and Adjustments
- Troubleshooting
- and much more...

Please note this manual is in **downloadable PDF format only**. If you have any questions about this product or would like to request sample pages, please contact us and reference the product name or SKU.

PTO Modulating Valve and Solenoid Valve



LX007090

LEGEND:

A	Oil passage
B	Solenoid valve
C	Oil passage
D	Spool
E	Spring
F	Spring
G	Piston
H	Orifice
K	Pressure oil passage
L	From transmission oil pump
M	From PTO brake
N	To sump
O	To PTO clutch
P	Pilot oil pressure
Q	Return oil

When engaging PTO, the spool of solenoid valve (B) is attracted by the magnet and opens the passage (K) to the PTO modulating valve.

As a result, pressure oil is directed to passage (A) and at the same time through oil passage



Thank you very much
for your reading.
Please click here
to get more information.