

John Deere W235, W260 Rotary Self-Propelled Hay&Forage Windrower Diagnostic Service Manual TM129619

380GLC Excavator Diagnostic

OPERATION AND TEST MANUAL

T3/S3A models 380GLC (PIN: 1FF380GX_D900001-)

TM12572 11SEP15 (ENGLISH)

For complete service information also see:

380GLC Excavator (PIN: 1FF380GX_ _D900001-)	TM12575
JDLink (MTG) Technical Manual	TM114519
PowerTech 9.0 L OEM Diesel Engines Base Engine Repair	CTM400
PowerTech 9.0 L Diesel Engines Level 14 Electronic Fuel System With Dense HPCR	CTM385
JDLink/ZXLink System	TM10006

PDF



DOWNLOAD



John Deere Construction and Forestry

Covers: W235,W260

Type: Service Manual

Language: English

Pages: 2019

Format: PDF

Features: Bookmarked, searchable, printable

Compatibility: Windows/Mac/Tablet/Mobile

This service manual contains important information for the maintenance, troubleshooting and servicing of the **John Deere W235, W260 Rotary Self-Propelled Hay&Forage Windrower Diagnostic Service Manual TM129619**

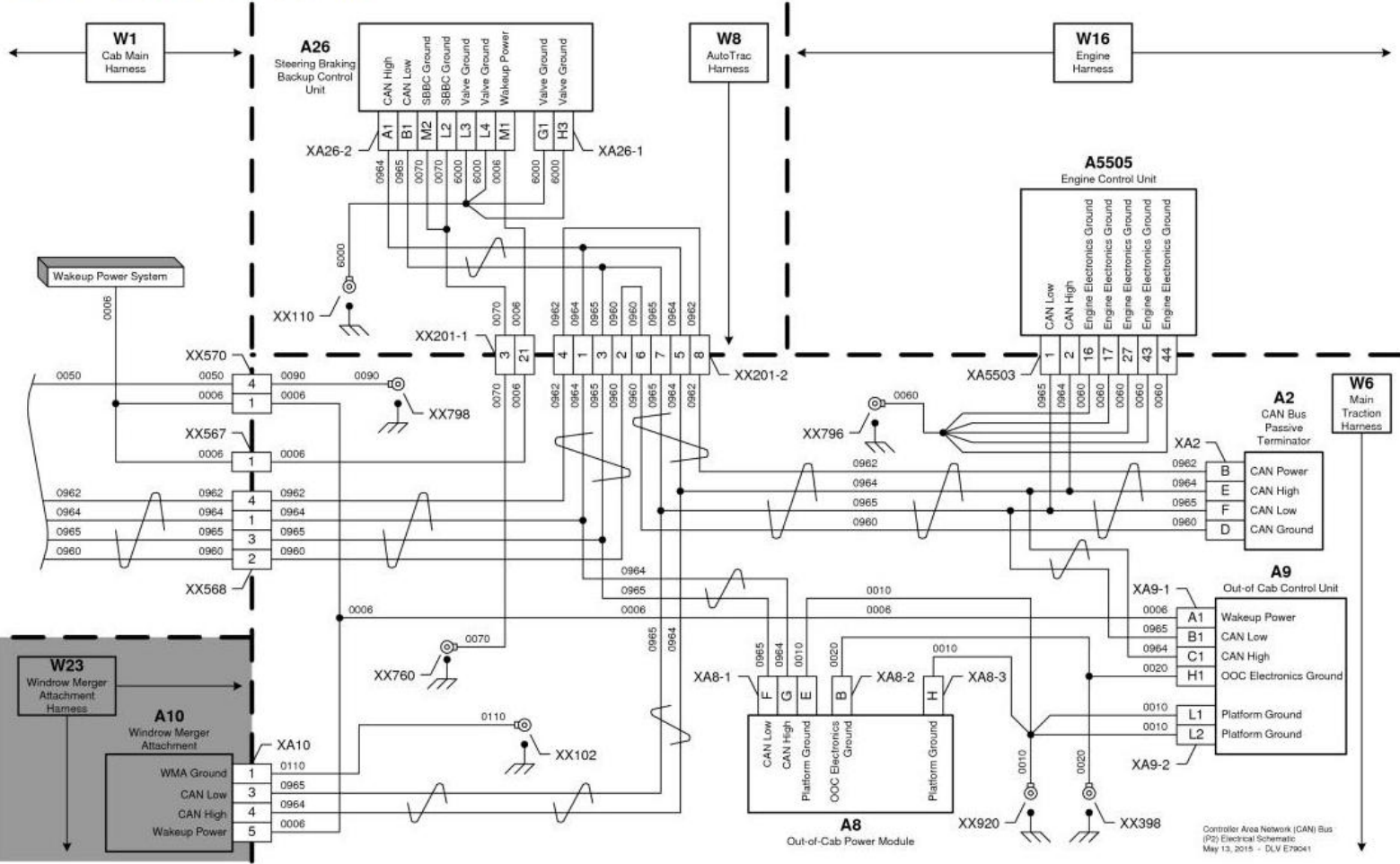
In this manual you will find detailed specifications, illustrations, schematics, diagrams and step-by-step procedures to properly service and diagnose the machine to the manufacturer's standards.

Contents:

- General Information
- Specifications
- Serial Number Location
- Engine Specifications
- Engine Diagnostics
- Engine Tests and Adjustments
- Engine Repair
- Power Train
- Transmission
- Axles
- Differential
- PTO
- Hydraulic System
- Electrical System
- Electrical Tests and Diagnostics
- Wiring Diagram / Schematic
- Ignition and Charging
- Steering
- Brakes
- Wheels
- Operator's Platform
- Body Panels
- Disassembly and Assembly
- Diagnostics, Tests and Adjustments
- Troubleshooting
- and much more...

Please note this manual is in **downloadable PDF format only**. If you have any questions about this product or would like to request sample pages, please contact us and reference the product name or SKU.

Controller Area Network (CAN) Bus (P2) Electrical Schematic



Controller Area Network (CAN) Bus (P2) Electrical Schematic
 May 13, 2015 - DLV E79241

Controller Area Network (CAN) Bus (P2) Electrical Schematic



Thank you very much
for your reading.
Please click here
to get more information.