

# John Deere WL56 (SN. D000001-) 4WD Loader Service Repair Technical Manual (TM14284X19)

444K 4WD Loaders (S.N.  
642101-670307) with  
Engines 4045HDW56 (iT4)  
Diagnostic



## OPERATION AND TEST MANUAL

4DW Loaders with Engine 4045HDW56 (iT4) models 444K ( PIN:  
1DW444K\*\*\*E642101-670307)

TM12089 22 FEB 16 (ENGLISH)

**For complete service information also see:**

444K 4WD Loader (PIN: 1DW444KZ\*\*E642682-) Repair

TM12091

JDLink (MTG) Technical Manual

TM114519

120 Series Hydraulic Cylinders

CTM120519

4045 PowerTech D (PW & PVX Interim Tier

CTM114610

4/Stage IIIB) Level

120 Series Hydraul

125 Series Hydraulic Cylind



DOWNLOAD



John Deere Construction and Forestry  
Printed by Balgroom



Covers: WL56,1YNWL56\_

**Type:** Service Manual

**Language:** English

**Pages:** 237

**Format:** PDF

**Features:** Bookmarked, searchable, printable

**Compatibility:** Windows/Mac/Tablet/Mobile

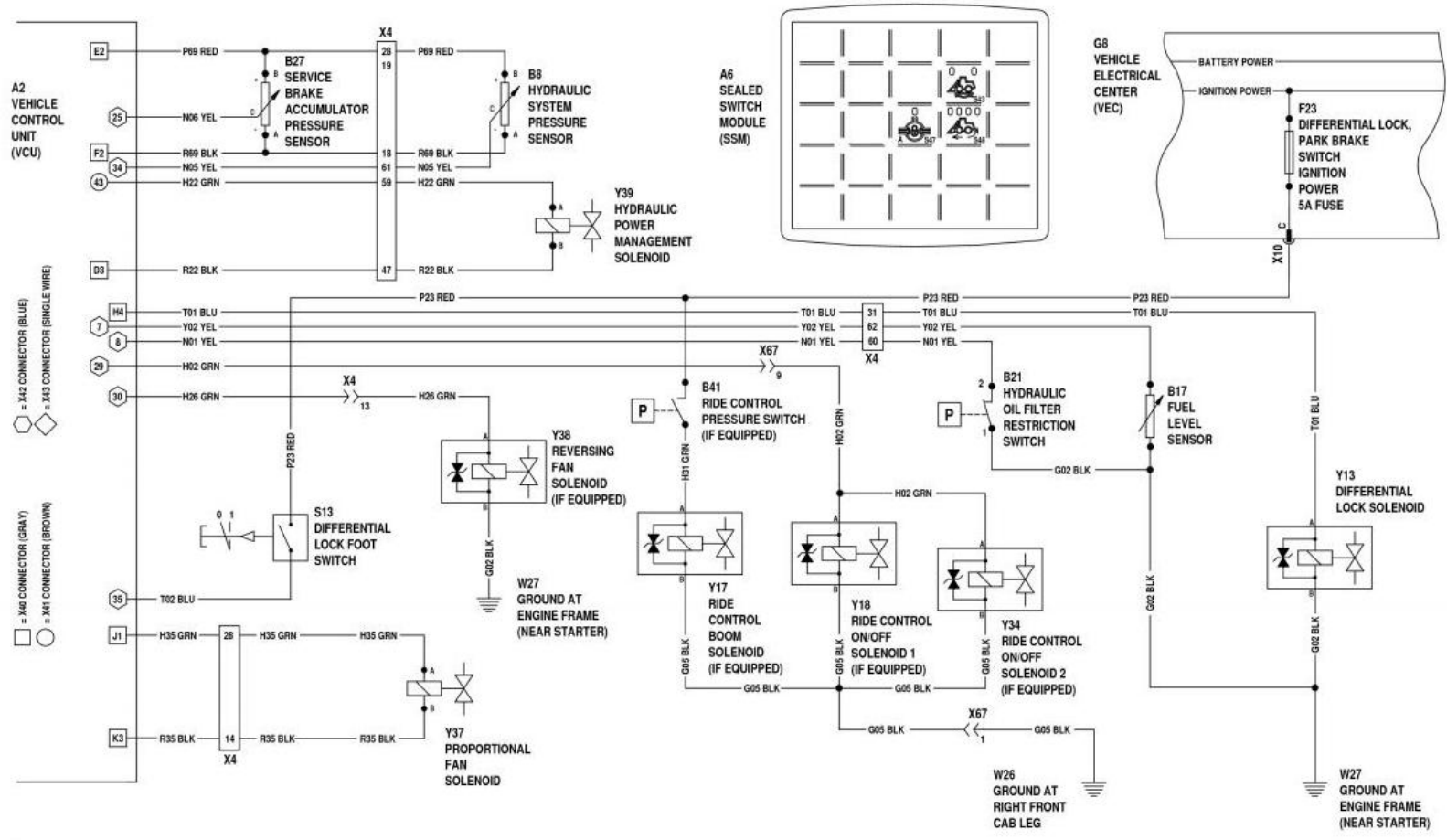
This service manual contains important information for the maintenance, troubleshooting and servicing of the **John Deere WL56 (SN. D000001-) 4WD Loader Service Repair Technical Manual (TM14284X19)**

In this manual you will find detailed specifications, illustrations, schematics, diagrams and step-by-step procedures to properly service and diagnose the machine to the manufacturer's standards.

**Contents:**

- General Information
- Specifications
- Serial Number Location
- Engine Specifications
- Engine Diagnostics
- Engine Tests and Adjustments
- Engine Repair
- Power Train
- Transmission
- Axles
- Differential
- PTO
- Hydraulic System
- Electrical System
- Electrical Tests and Diagnostics
- Wiring Diagram / Schematic
- Ignition and Charging
- Steering
- Brakes
- Wheels
- Operator's Platform
- Body Panels
- Disassembly and Assembly
- Diagnostics, Tests and Adjustments
- Troubleshooting
- and much more...

Please note this manual is in **downloadable PDF format only**. If you have any questions about this product or would like to request sample pages, please contact us and reference the product name or SKU.



TX1126608  
Vehicle Control Unit (VCU) Circuit Schematic (2 of 6)



Thank you very much  
for your reading.  
Please click here  
to get more information.