

John Deere X950R Riding Lawn Tractor (SN. from 030001) All Inclusive Technical Service Manual (TM142619)

5076E, 5076EL, 5082E,
5090E, 5090EL and
5090EH Tractors
Diagnostic
(September 2016—)



JOHN HARE



COLLECTION

DIAGNOSTIC TECHNICAL MANUAL
5076E, 5076EL, 5082E, 5090E, 5090EL and 5090EH
Tractors (September 2016—)

TM609519 01DEC18 (ENGLISH)



John Deere Mexico

Covers: X950R,030001)

Type: Service Manual

Language: English

Pages: 802

Format: PDF

Features: Bookmarked, searchable, printable

Compatibility: Windows/Mac/Tablet/Mobile

This service manual contains important information for the maintenance, troubleshooting and servicing of the **John Deere X950R Riding Lawn Tractor (SN. from 030001) All Inclusive Technical Service Manual (TM142619)**

In this manual you will find detailed specifications, illustrations, schematics, diagrams and step-by-step procedures to properly service and diagnose the machine to the manufacturer's standards.

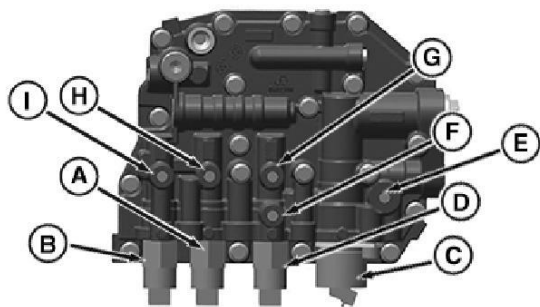
Contents:

- General Information
- Specifications
- Serial Number Location
- Engine Specifications
- Engine Diagnostics
- Engine Tests and Adjustments
- Engine Repair
- Power Train
- Transmission
- Axles
- Differential
- PTO
- Hydraulic System
- Electrical System
- Electrical Tests and Diagnostics
- Wiring Diagram / Schematic
- Ignition and Charging
- Steering
- Brakes
- Wheels
- Operator's Platform
- Body Panels
- Disassembly and Assembly
- Diagnostics, Tests and Adjustments
- Troubleshooting
- and much more...

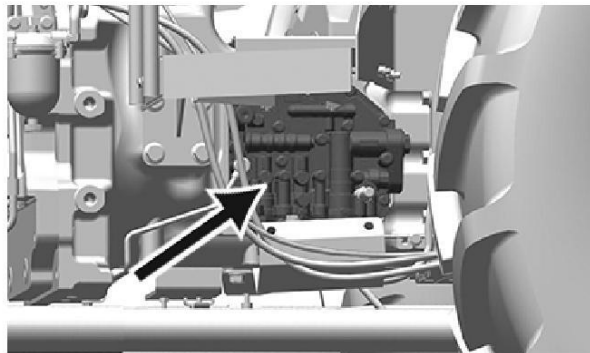
Please note this manual is in **downloadable PDF format only**. If you have any questions about this product or would like to request sample pages, please contact us and reference the product name or SKU.

G13 PR Plus Control Valve

PY21152-UN: Location



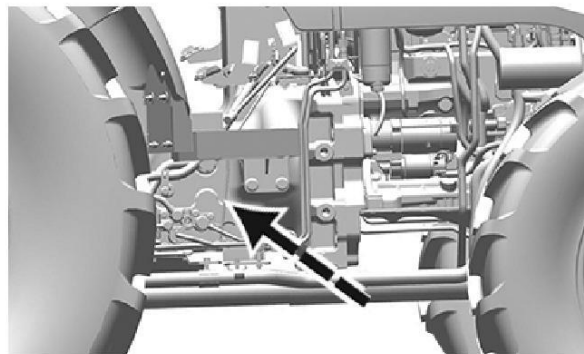
PY21157-UN: G13 PR Plus Control Valve (SJ11710)



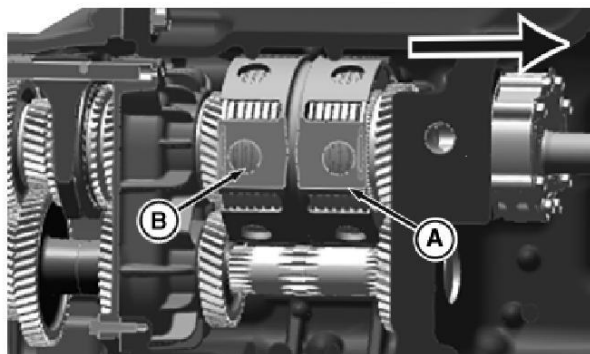
Schematic Section:	Drivetrain Hydraulic Schematic — PR Plus
Theory	Refer '12x12 And 24x12 PowrReverser™ Transmission - John Deere Pune Works' CTM
Test	Drivetrain — Tests and Adjustments
Specification	—
Terminal	Function
A	Y05 Forward/Forward Low Solenoid
B	Y06 Reverse Solenoid
C	Y07 Enable Proportional Valve Solenoid
D	Y09 Forward High Solenoid
E	X2 PR Lubrication Test Port
F	X1 PR Pump Pressure Test Port
G	X4 Forward High Clutch Pressure
H	X3 Forward/Forward Low Clutch Pressure
I	X5 Reverse Clutch Pressure

SK35149,0000D07-19-20160909

G14 PR Clutch Pack



PY21156-UN: Location



PY21155-UN: G14 PR Clutch Pack

Schematic Section:	Drivetrain Hydraulic Schematic — PR
Theory	Refer '12x12 And 24x12 PowrReverser™ Transmission - John Deere Pune Works' CTM
Test	Drivetrain — Tests and Adjustments
Specification	—
Terminal	Function
A	Forward Clutch
B	Reverse Clutch

SK35149,0000D08-19-20160909



Thank you very much
for your reading.
Please click here
to get more information.