

John Deere XCG 330LC-8B Excavator Diagnostic, Operation and Test Service Manual (TM11585)

724J (SN. 611219-) 4WD
Loader Diagnostic



OPERATION AND TEST MANUAL 4WD Loaders models 724J (SN. from 611219)

TM10232 07 NOV 07 (ENGLISH)

For complete service information also see:

185 Series Hydraulic Cylinders	TM-H185A
120 Series Hydraulic Cylinders	TM-H120A
724J (SN. 611219-) Loader Repair	TM10247
PowerTech 8.1 L Diesel Engines Base Engines	CTM86
Alternators and Stators	CTM77
TMIV1200 - 1400 Series Engines	
Super Caddy Oil Cleaners	
PowerTech 8.1L Diesel Engines Base Engines Pressure Common Rail	
TeamMate III 1000, 1200, and 1400 Series Planetary Axles	CTM150
JDLINK/ZXLINK Machine Monitoring System	CTM10006

PDF



DOWNLOAD



John Deere Construction and Forestry
Printed by Belgreen



TM10232

Covers: 330LC-8B

Type: Service Manual

Language: English

Pages: 614

Format: PDF

Features: Bookmarked, searchable, printable

Compatibility: Windows/Mac/Tablet/Mobile

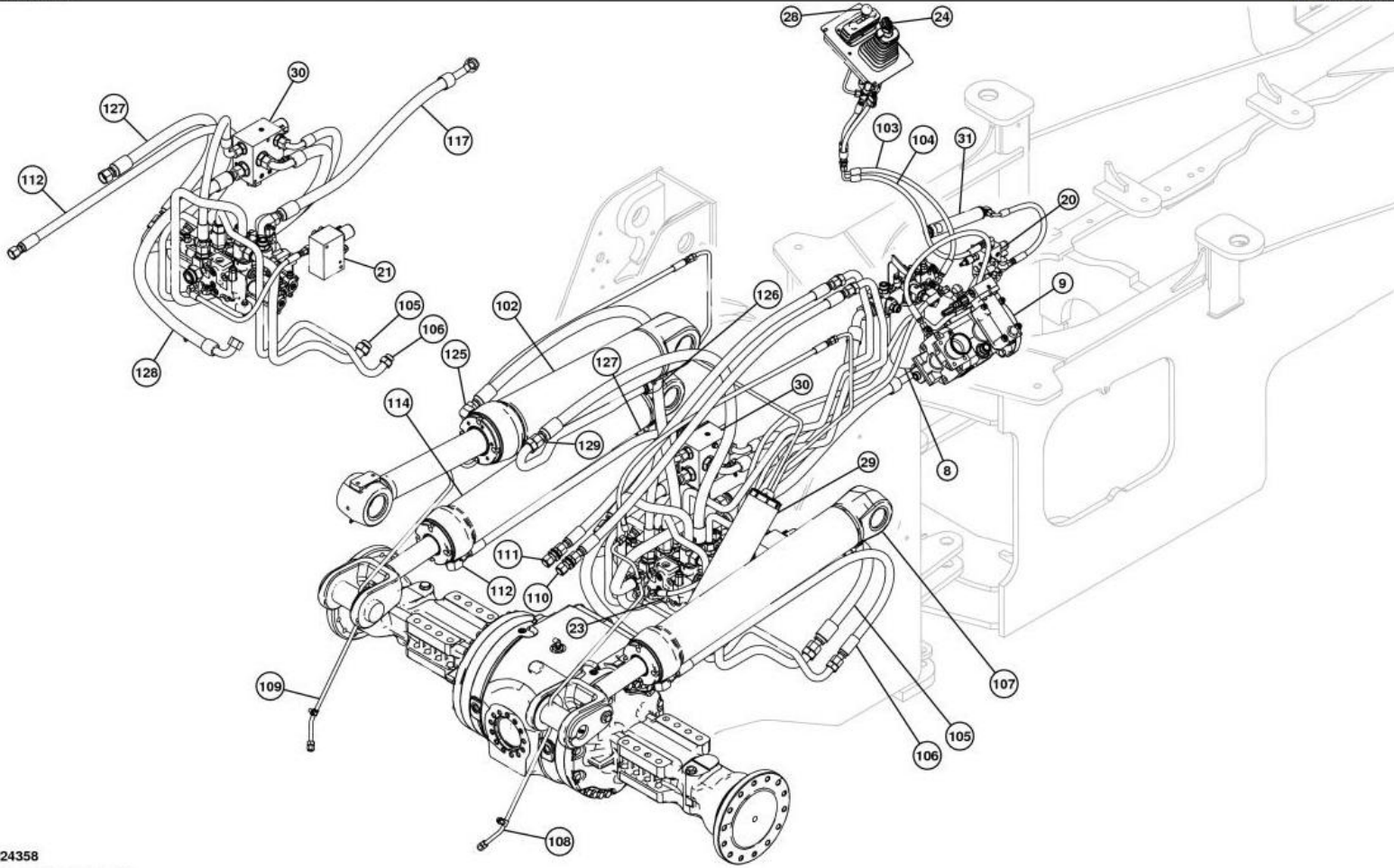
This service manual contains important information for the maintenance, troubleshooting and servicing of the **John Deere XCG 330LC-8B Excavator Diagnostic, Operation and Test Service Manual (TM11585)**

In this manual you will find detailed specifications, illustrations, schematics, diagrams and step-by-step procedures to properly service and diagnose the machine to the manufacturer's standards.

Contents:

- General Information
- Specifications
- Serial Number Location
- Engine Specifications
- Engine Diagnostics
- Engine Tests and Adjustments
- Engine Repair
- Power Train
- Transmission
- Axles
- Differential
- PTO
- Hydraulic System
- Electrical System
- Electrical Tests and Diagnostics
- Wiring Diagram / Schematic
- Ignition and Charging
- Steering
- Brakes
- Wheels
- Operator's Platform
- Body Panels
- Disassembly and Assembly
- Diagnostics, Tests and Adjustments
- Troubleshooting
- and much more...

Please note this manual is in **downloadable PDF format only**. If you have any questions about this product or would like to request sample pages, please contact us and reference the product name or SKU.



TX1024358
Loader Control Valve Component Location



Thank you very much
for your reading.
Please click here
to get more information.