

John Deere XUV560E and XUV560E S4 Gator Utility Vehicles (SN. 010001-) Technical Manual (TM149619)

**XUV560E and XUV560E
S4 Gator™ Utility
Vehicles**
(Serial No. 010001-)



JOHN HARE



COLLECTION

TECHNICAL MANUAL

XUV560E and XUV560E S4 Gator™ Utility Vehicles
(Serial No. 010001-)

TM149619 01DEC18 (ENGLISH)



John Deere Horicon Works

Covers: XUV560E,XUV560E,S4

Type: Service Manual

Language: English

Pages: 465

Format: PDF

Features: Bookmarked, searchable, printable

Compatibility: Windows/Mac/Tablet/Mobile

This service manual contains important information for the maintenance, troubleshooting and servicing of the **John Deere XUV560E and XUV560E S4 Gator Utility Vehicles (SN. 010001-) Technical Manual (TM149619)**

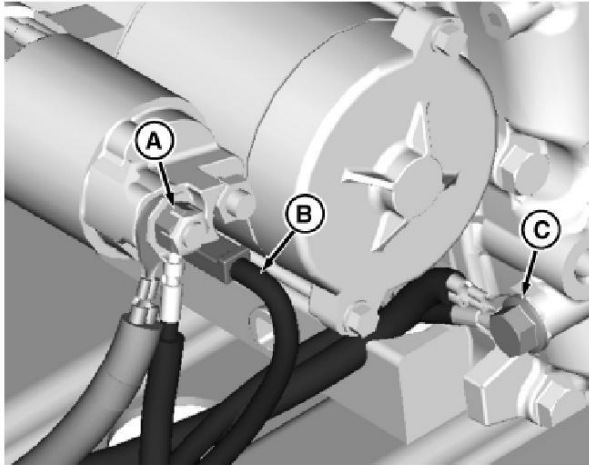
In this manual you will find detailed specifications, illustrations, schematics, diagrams and step-by-step procedures to properly service and diagnose the machine to the manufacturer's standards.

Contents:

- General Information
- Specifications
- Serial Number Location
- Engine Specifications
- Engine Diagnostics
- Engine Tests and Adjustments
- Engine Repair
- Power Train
- Transmission
- Axles
- Differential
- PTO
- Hydraulic System
- Electrical System
- Electrical Tests and Diagnostics
- Wiring Diagram / Schematic
- Ignition and Charging
- Steering
- Brakes
- Wheels
- Operator's Platform
- Body Panels
- Disassembly and Assembly
- Diagnostics, Tests and Adjustments
- Troubleshooting
- and much more...

Please note this manual is in **downloadable PDF format only**. If you have any questions about this product or would like to request sample pages, please contact us and reference the product name or SKU.

Remove Engine

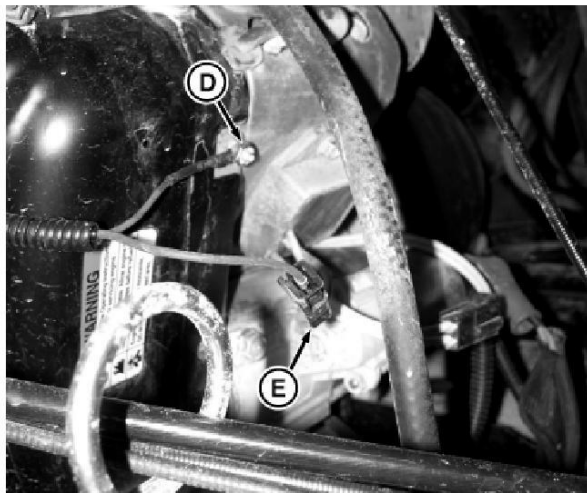


MXT020486-UN: Engine Wiring Connections

LEGEND:

- A-Starter Motor Solenoid**
- B-Exciter Wire**
- C-Stud, Engine**

1. Park machine safely and allow engine to cool.
2. Remove seats and panels from the seat mount bracket.
3. Disconnect battery negative (—) terminal ground cable.
4. Remove air cleaner and housing assembly. (See [Remove Air Cleaner Housing](#).)
5. Remove exhaust pipes from the engine.
6. Remove outer clutch covers, drive and driven clutches, and inner clutch enclosure. (See [Remove Clutch](#).)
7. Disconnect positive battery cable and positive wire from the positive terminal of starter solenoid (A).
8. Disconnect solenoid exciter wire (B).
9. Disconnect battery ground and cable from the engine stud (C).

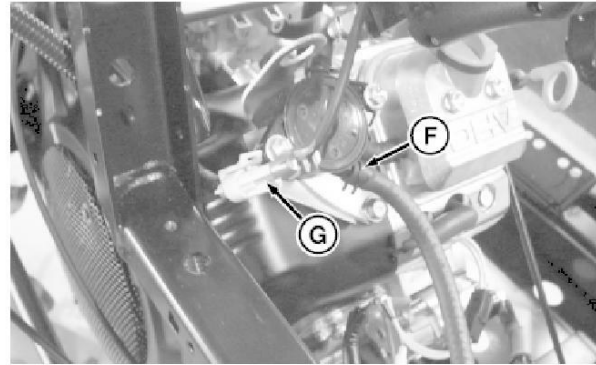


10. MXT020485-UN: Engine Wiring Connections

LEGEND:

- D-Stop Wire**
- E-Regulator**

Disconnect engine stop wire (D) and DC wire from regulator (E).



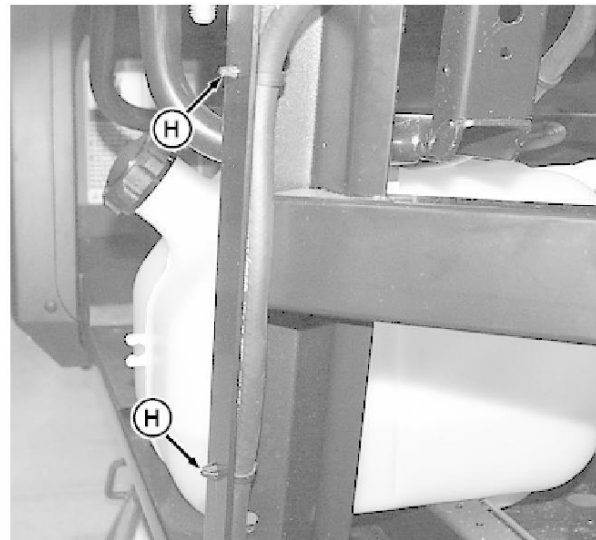
11. MXT001580-UN: Fuel Line Connector

LEGEND:

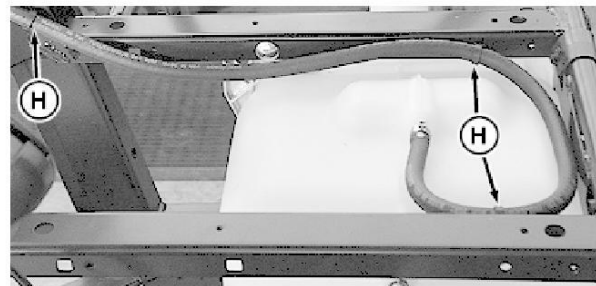
- F-Fuel Line**
- G-Switch connector**

Disconnect fuel line (F) from the fuel pump and plug line.

12. Disconnect connector (G).



13. MXT001581-UN: Fuel Line Clips



MXT001582-UN: Fuel Line Clips

LEGEND:

- H-Clips**

Disconnect fuel line clips (H) from seat support.



Thank you very much
for your reading.
Please click here
to get more information.