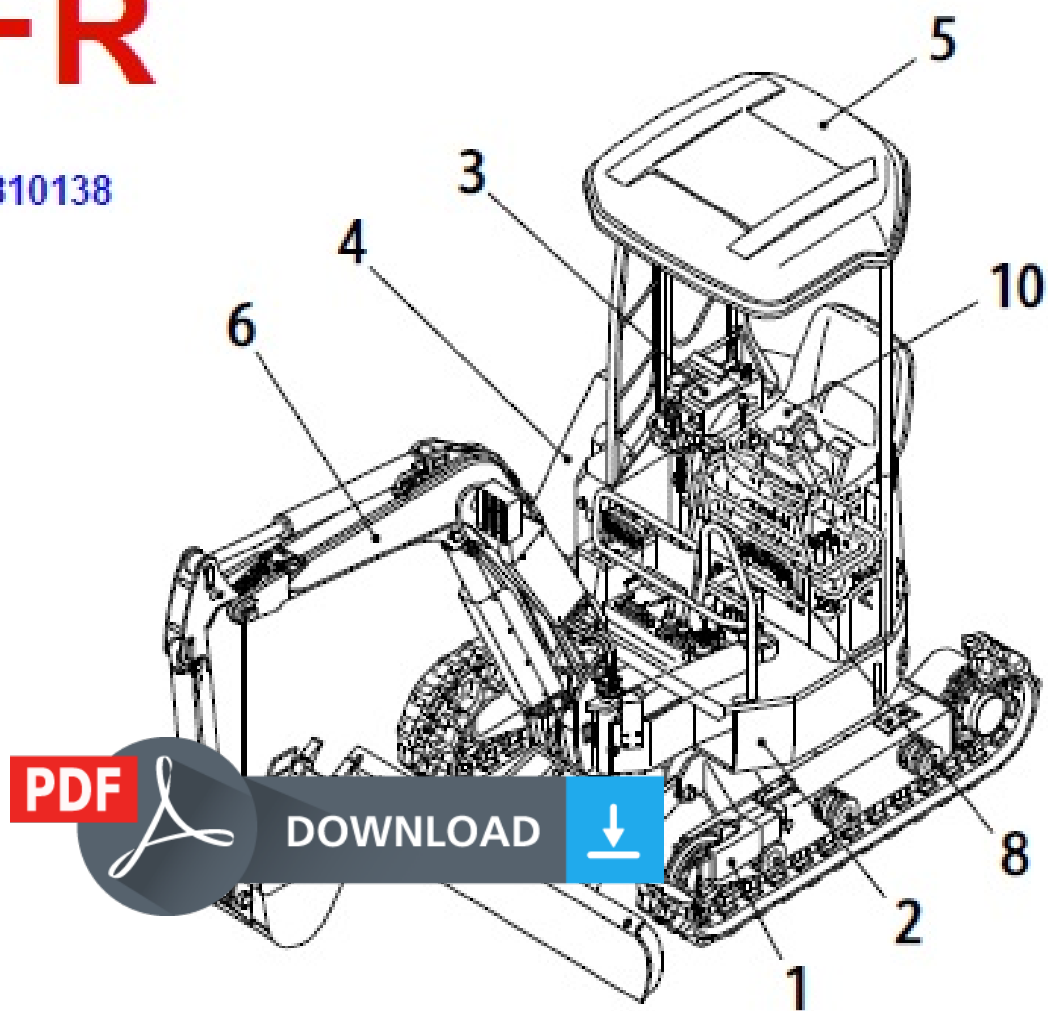


# TB15FR

Book No.BC5Z001

Serial No.11810004-11810138



# Takeuchi TB15FR Mini Excavator Parts Manual (S/N 11810004-11810138)

Download Complete Parts Manual for Takeuchi TB15FR Mini Excavator.

This Takeuchi parts covers all parts information you need. It manual can be used by anyone from a first time owner/amateur to a professional technician. Even the most novice mechanic can also easily follow the step-by-step guides which are made simple by the illustrations and drawings. Keep this manual handy and use it often. Performing routine, preventive maintenance will save you time & money by helping to prevent premature failure and unnecessary repairs.

Models Covered:

Book No. BC5Z001 S/N 11810004-11810138

This manual is INSTANT DOWNLOAD. It means no shipping cost or waiting for getting a CD package for several days. you will receive this manual today via instant download on completion of payment via our secure payment processor.

Manual Contents:

Undercarriage

Turntable and Control Lever

Engine and Electrical System

Hydraulic Pipng and Tank

Cover and CAB

Hoe Attachment

Decal and Tool

Hydraulic Device

Engine (3TNE68-TBZ)

total pages: 260

Your will receive a download link in no time after your payment is completed successfully. So please make sure your email address is correct. Don't Forget to Check Spam / Junk &nbsp; if can't find the new message in your email inbox immediately.

File Format: data-filtered="filtered">Compatible: All Versions of Windows & data-filtered="filtered">Language: English



Thank you very much  
for your reading.  
Please click here  
to get more information.