

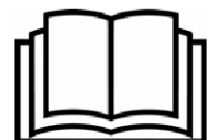
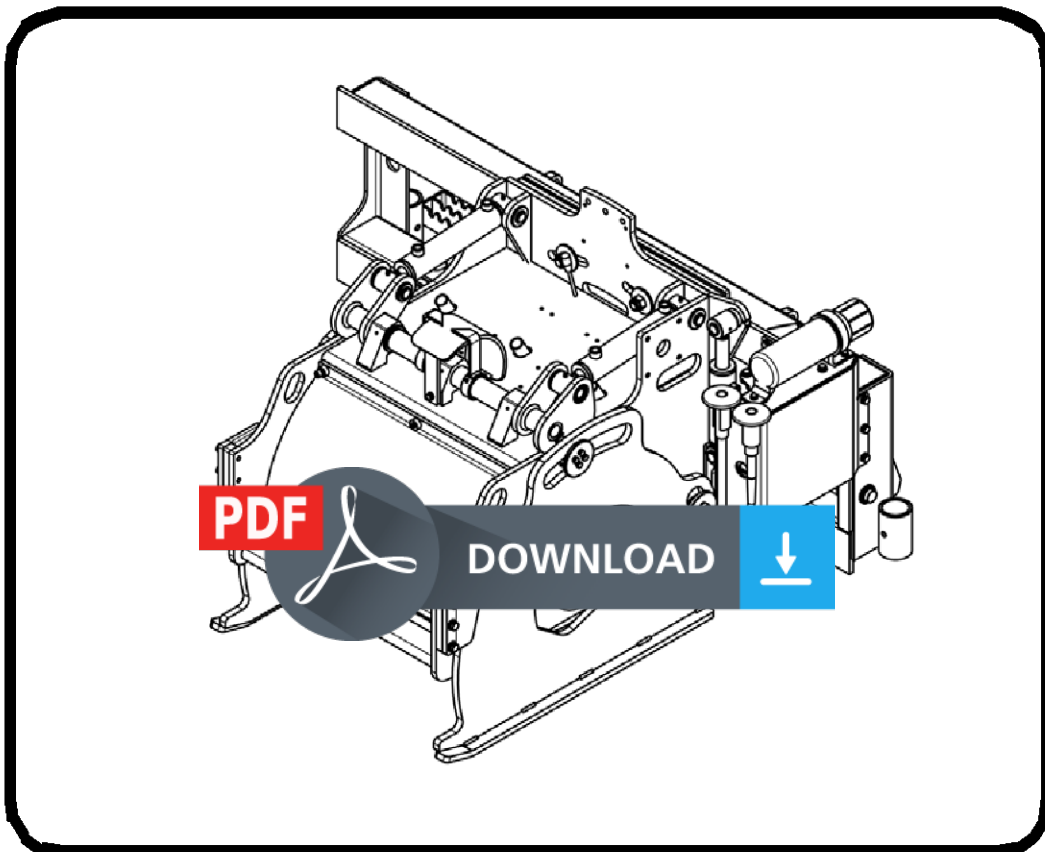


Bobcat®

EN

Operation & Maintenance Manual Planer

(MI Planer 18PSL) S/N AZTD00101 & Above
(MI Planer 24PSL) S/N AZTG00101 & Above



CONTENTS

FOREWORD	3
SAFETY AND TRAINING RESOURCES	13
OPERATING INSTRUCTIONS	25
PREVENTIVE MAINTENANCE	55
SPECIFICATIONS	67
WARRANTY	71
ALPHABETICAL INDEX	75

REFERENCE INFORMATION

Write the correct information for YOUR Bobcat attachment in the spaces below. Always use these numbers when referring to your Bobcat attachment.

Attachment Serial Number _____

NOTES:

YOUR BOBCAT DEALER:

ADDRESS:

PHONE:



Bobcat Company
P.O. Box 128
Gwinner, ND 58040-0128
UNITED STATES OF AMERICA

Doosan Benelux SA
Drève Richelle 167
B-1410 WATERLOO
BELGIUM



Bobcat®

FOREWORD

This Operation & Maintenance Manual was written to give the owner / operator instructions on the safe operation and maintenance of the Bobcat attachment. READ AND UNDERSTAND THIS OPERATION & MAINTENANCE MANUAL BEFORE OPERATING YOUR BOBCAT ATTACHMENT. If you have any questions, see your Bobcat dealer. This manual can illustrate options and accessories not installed on your attachment.

DECLARATION OF CONFORMITY	5
BOBCAT COMPANY IS ISO 9001 CERTIFIED	7
SERIAL NUMBER LOCATION	9
Attachment Serial Number	9
DELIVERY REPORT	9
ATTACHMENT IDENTIFICATION	10
MI Planer 18PSL And 24PSL	10
FEATURES AND ACCESSORIES	11
Standard Items	11
Options And Accessories	11



Thank you very much
for your reading.
Please click here
to get more information.