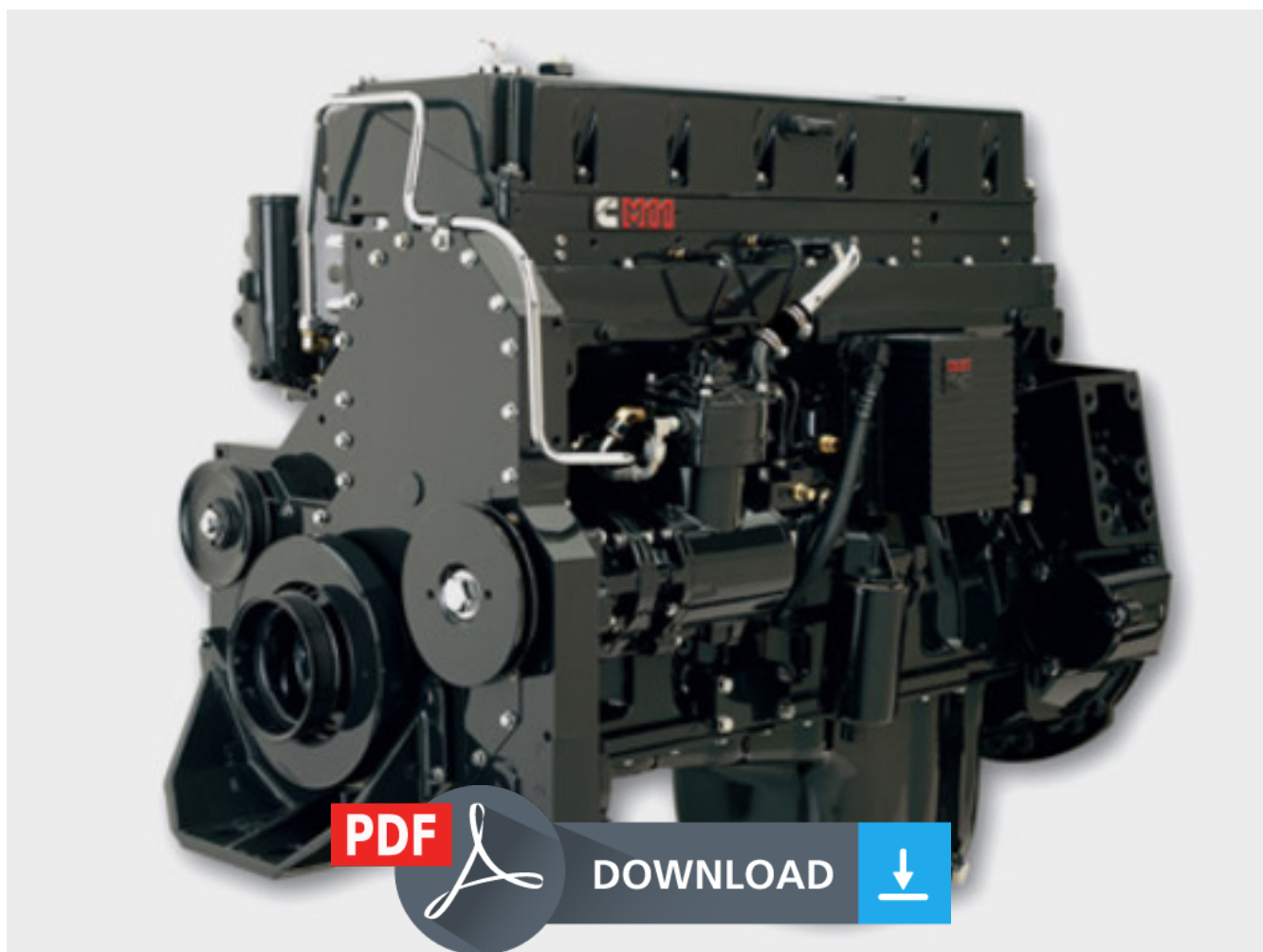
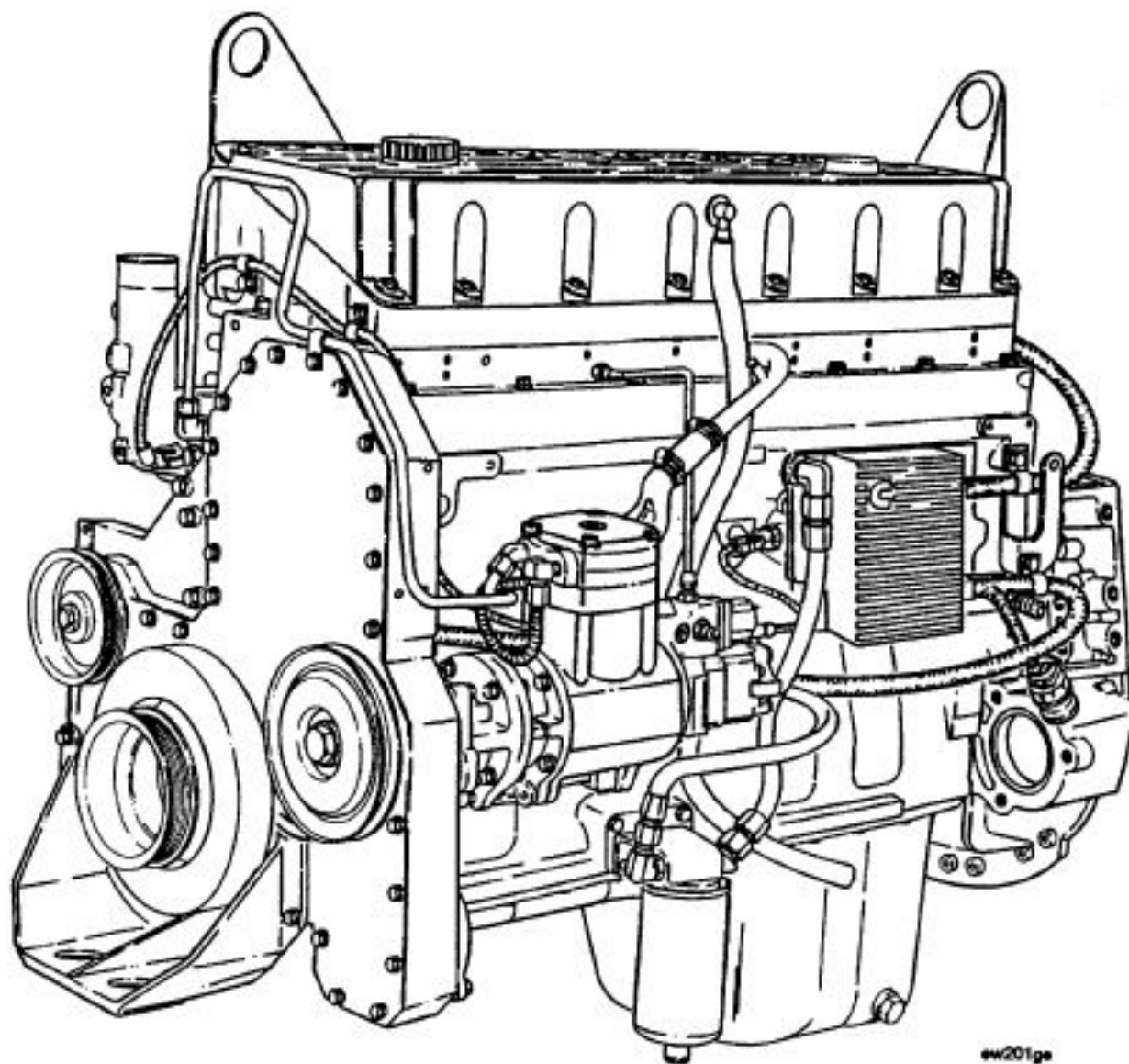


Cummins Engine M11 Series Engines Service Repair Workshop Manual





Shop Manual M11 Series Engines



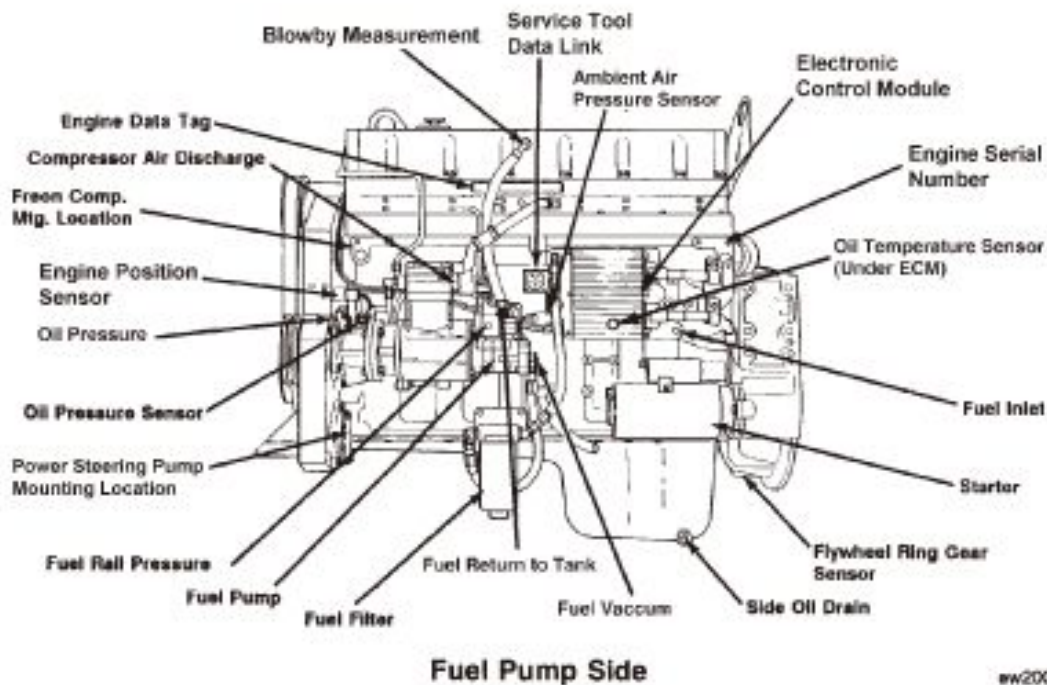
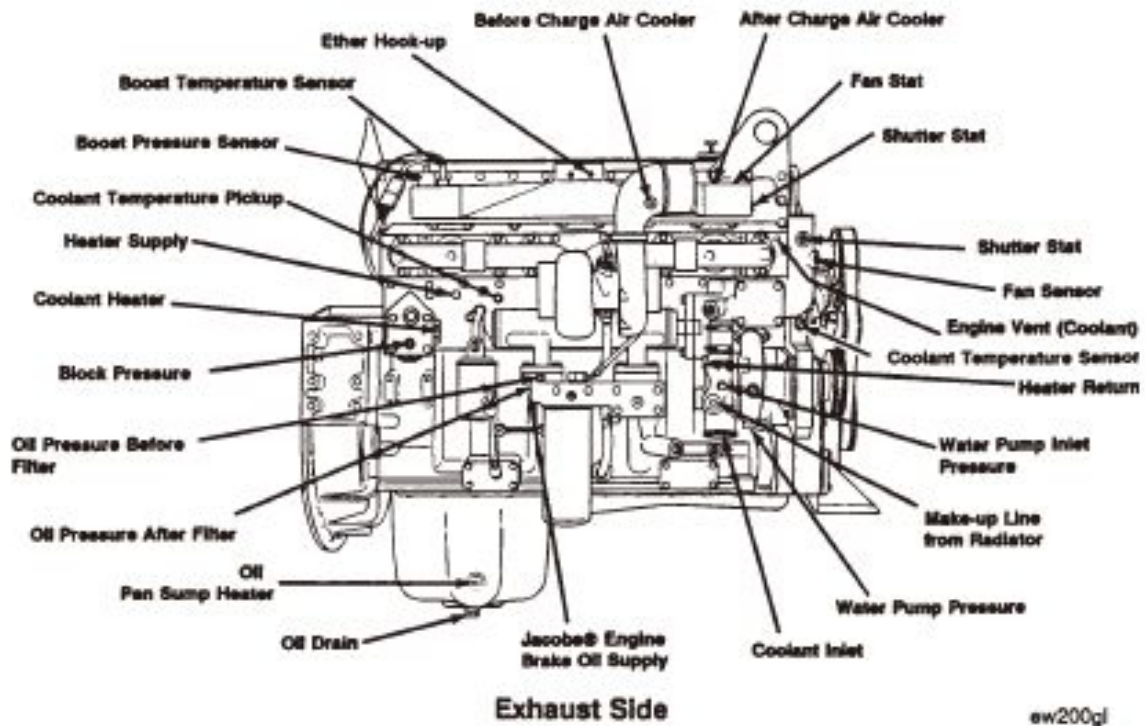
ew201ge

Table of Contents

	Section
Introduction	I
Engine Identification.....	E
Engine Disassembly and Assembly – Group 00	0
Cylinder Block – Group 01	1
Cylinder Head – Group 02	2
Rocker Levers – Group 03.....	3
Cam Followers – Group 04	4
Fuel System – Group 05.....	5
Injectors and Fuel Lines – Group 06.....	6
Lubricating Oil System – Group 07.....	7
Cooling System – Group 08	8
Drive Units – Group 09.....	9
Air Intake System – Group 10	10
Exhaust System – Group 11	11
Air Equipment – Group 12.....	12
Electrical Equipment – Group 13	13
Engine Testing – Group 14.....	14
Instruments and Controls – Group 15.....	15
Mounting Adaptations – Group 16	16
Specifications – Group 18	V
Vehicle Braking – Group 20.....	20
Service Literature	L
Component Manufacturers: Names and Addresses	C
Index	X

Engine Diagrams

The following illustrations contain information about engine components, filter locations, drain points and provisions for instrumentation and engine controls. The information and configuration of components shown in these drawings are of a general nature. Some component locations will vary depending on applications and installations.





Thank you very much
for your reading.
Please click here
to get more information.