

4200 Series Cab Tractor Operator Instruction Book

Tractor Models Applicable:

For cab tractor models:

4225, 4235, 4245, 4255, 4260, 4270.

Serial numbers applicable:

K 27456 onwards.

Manufactured from 2001 onwards.

Contents - Page

General Information - 3

Tractor identification.

Introduction.

Warranty, pre-delivery and installation on the farm.

Safety notes.

Safety decals.

Controls and Instruments - 21

Controls.

Instruments.

Operation - 45

Starting.

Running-in.

Operating the tractor.

Maintenance and Adjustment - 99

Maintenance chart.

Recommended lubricants.

Servicing the tractor:

Greasing, checking levels and changing oil.

Adjustments - axles, brakes and wheels.

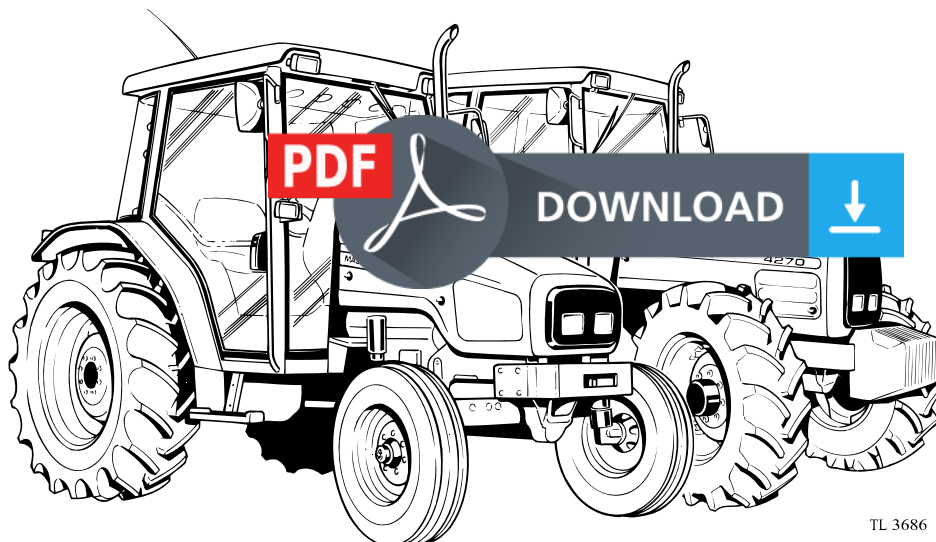
Replacements - fuses, bulbs and battery.

Fuel storage.

Accessories - 167

Specification - 173

Alphabetical Index - 191



TL 3686

Published by:

AGCO Limited,

Banner Lane,

Coventry,

England CV4 9GF

August 2002

1857 230 M2

Issue 2

© AGCO Limited 2001

Tractor Identification

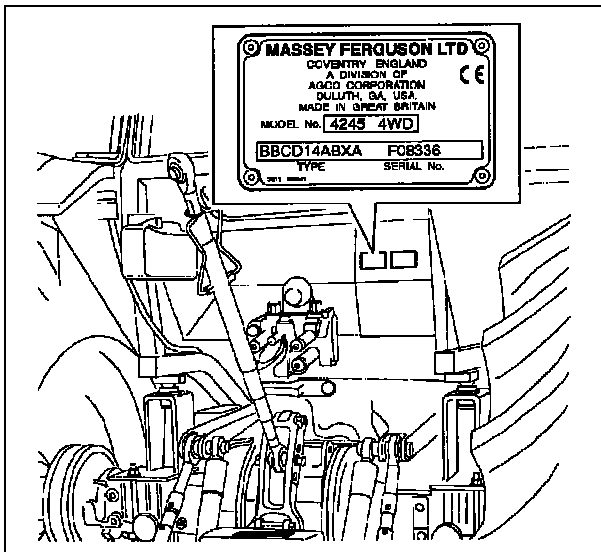


Fig. 1

Serial Numbers

NOTE: Observe the serial numbers of your tractor. Always quote the serial numbers in any communication to your Massey Ferguson Dealer.

Tractor Model:.....

Tractor Serial No. (Fig. 1 and Fig. 2):
.....

Engine Serial No. (Fig. 3):

Four-wheel Drive Front Axle Serial No. (Fig. 4):
.....

Axle Type:

Nearest Massey Ferguson Dealer:
.....
.....
.....
.....

Phone:.....

Date of Installation on the Farm:

Expiration of Warranty:

This publication is written in accordance with International Standard ISO 3600 'Guide to: Information, Content, and Presentation of Operators Manuals Provided for Tractors and Machinery for Agriculture and Forestry'.

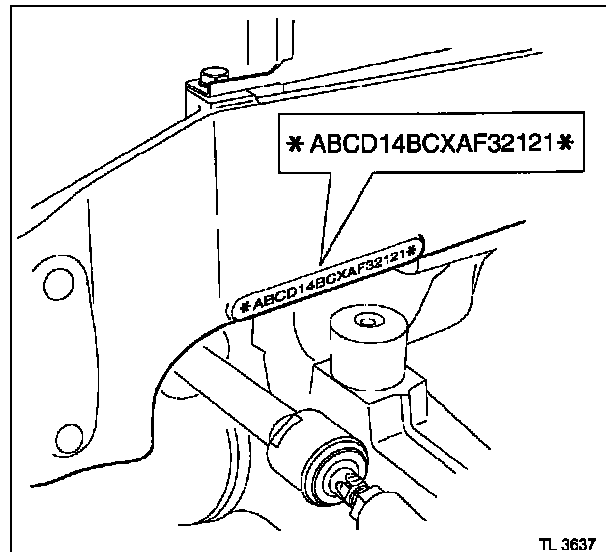


Fig. 2

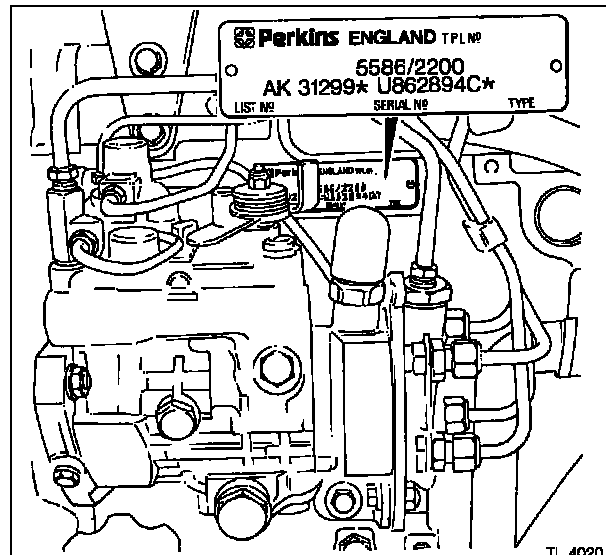


Fig. 3

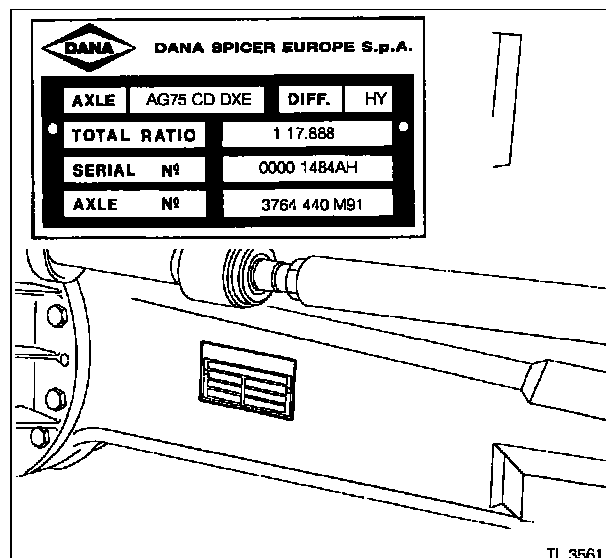


Fig. 4

Introduction, Warranty and Safety Notes

Contents

Introduction	4
Pre-delivery, Installation on the Farm and Warranty	4
Safety	5
EU Declaration of Conformity	5
Tractor and Machine Noise	5
Introduction to Safety	6
A Word to the Operator	6
Follow a Safety Programme	7
Protective Structures	8
Prepare for Safe Operation	9
Servicing the Tractor	11
Starting	12
Work Safely	13
After Operation	18



Thank you very much
for your reading.
Please click here
to get more information.