



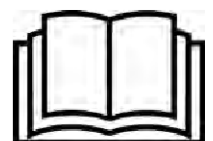
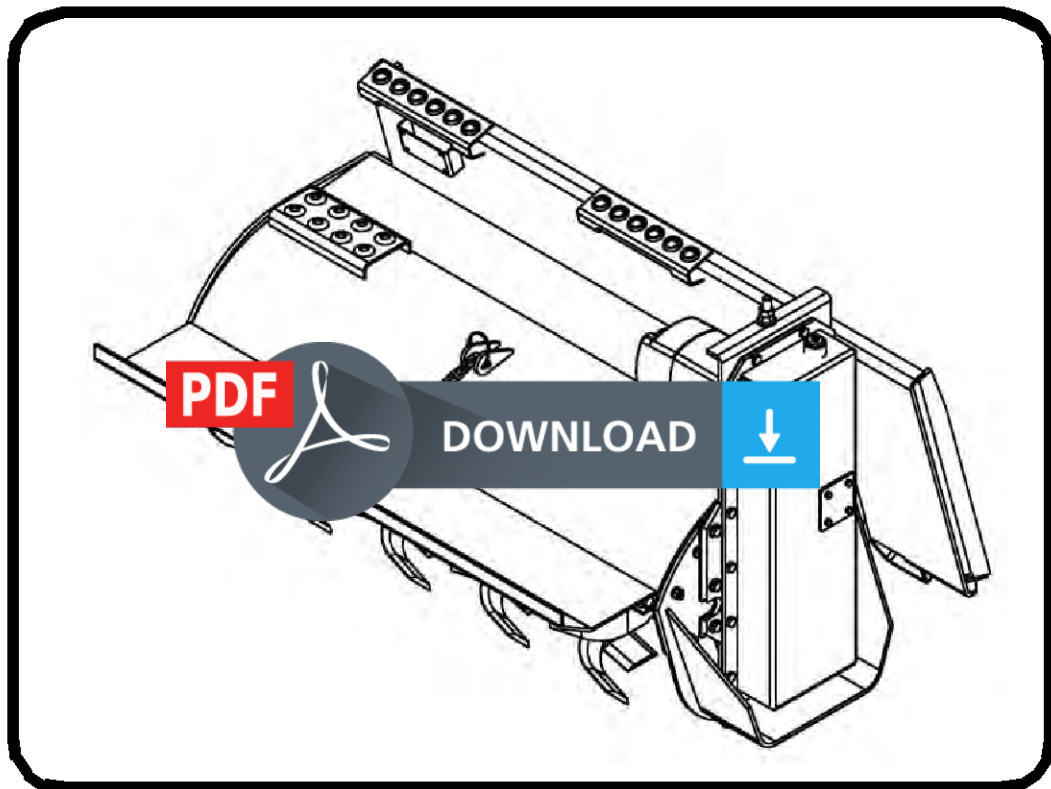
# Bobcat®

---

## Operation & Maintenance Manual 38 Inch Tiller

---

(38 Tiller) S/N 614400101 & Above





# CONTENTS

FOREWORD .....	3
SAFETY & TRAINING RESOURCES .....	9
OPERATING INSTRUCTIONS .....	17
PREVENTIVE MAINTENANCE .....	51
MACHINE SIGN TRANSLATIONS .....	59
SPECIFICATIONS .....	67
WARRANTY .....	71
ALPHABETICAL INDEX .....	75

## REFERENCE INFORMATION

Write the correct information for YOUR Bobcat tiller in the spaces below. Always use these numbers when referring to your Bobcat tiller.

Tiller Serial Number \_\_\_\_\_

NOTES:

---

---

---

---

YOUR BOBCAT DEALER:

ADDRESS:

PHONE:

---

Bobcat Company  
P.O. Box 128  
Gwinner, ND 58040-0128  
UNITED STATES OF AMERICA

Doosan Benelux SA  
Drève Richelle 167  
B-1410 Waterloo  
BELGIUM



**Bobcat®**

# FOREWORD

This Operation & Maintenance Manual was written to give the owner / operator instructions on the safe operation and maintenance of the Bobcat tiller. **READ AND UNDERSTAND THIS OPERATION & MAINTENANCE MANUAL BEFORE OPERATING YOUR BOBCAT TILLER.** If you have any questions, see your Bobcat dealer. This manual may illustrate options and accessories not installed on your tiller.

BOBCAT COMPANY IS ISO 9001 CERTIFIED .....	5
SERIAL NUMBER LOCATION .....	6
Attachment Serial Number .....	6
DELIVERY REPORT .....	6
ATTACHMENT IDENTIFICATION .....	7
FEATURES AND ACCESSORIES .....	8
Standard Items .....	8



Thank you very much  
for your reading.  
Please click here  
to get more information.