

# Shop Manual



## KOMATSU

PC210-8





PC210LC-8

PC210LC-8

PC230NHD-8

PC240LC-8

PC240NLC-8

  **DOWNLOAD**   and up

PC210- K50001  
PC210LC- K50001  
PC210LC- K50001  
PC230NHD- K50001  
PC240LC- K50001  
PC240NLC- K50001

# Shop Manual



# HYDRAULIC EXCAVATOR

**PC210-8****PC240LC-8****PC210LC-8****PC240NLC-8****PC210NLC-8****PC230NHD-8****Machine model      Serial number**

PC210-8	K50001 and up
PC210LC-8	K50001 and up
PC210NLC-8	K50001 and up
PC230NHD	K50001 and up
PC240LC-8	K50001 and up
PC240NLC-8	K50001 and up

---

## 01 Specification

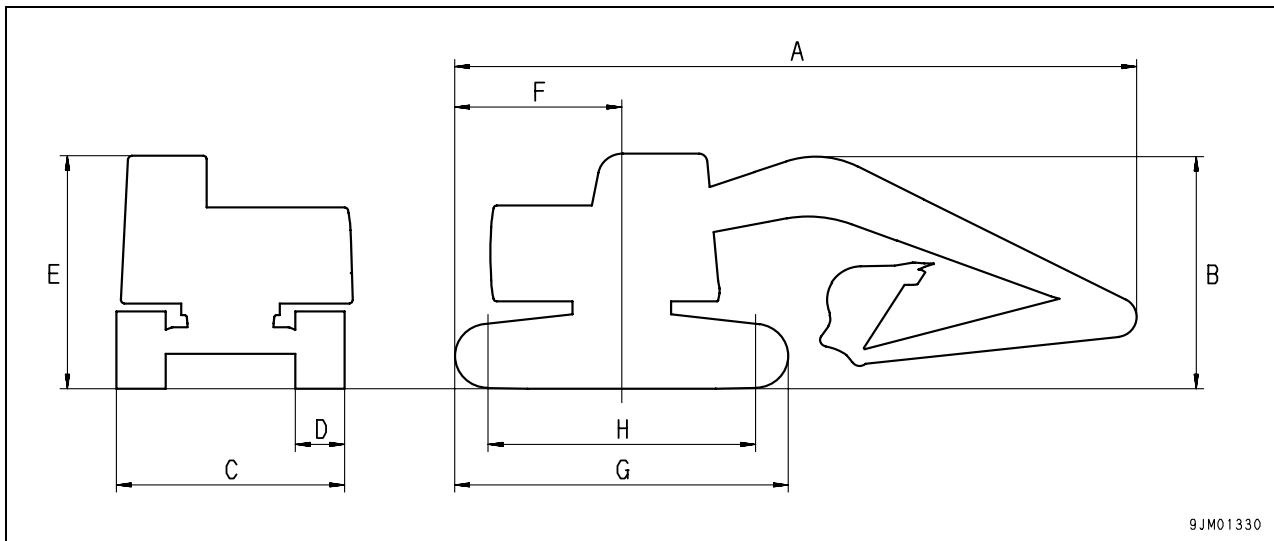
### Specification and technical data

---

Specification and technical data.....	2
Specification dimension drawings .....	2
Working range diagram .....	3
Specifications .....	4
Weight table .....	8
Table of fuel, coolant and lubricants .....	12

# Specification and technical data

## Specification dimension drawings



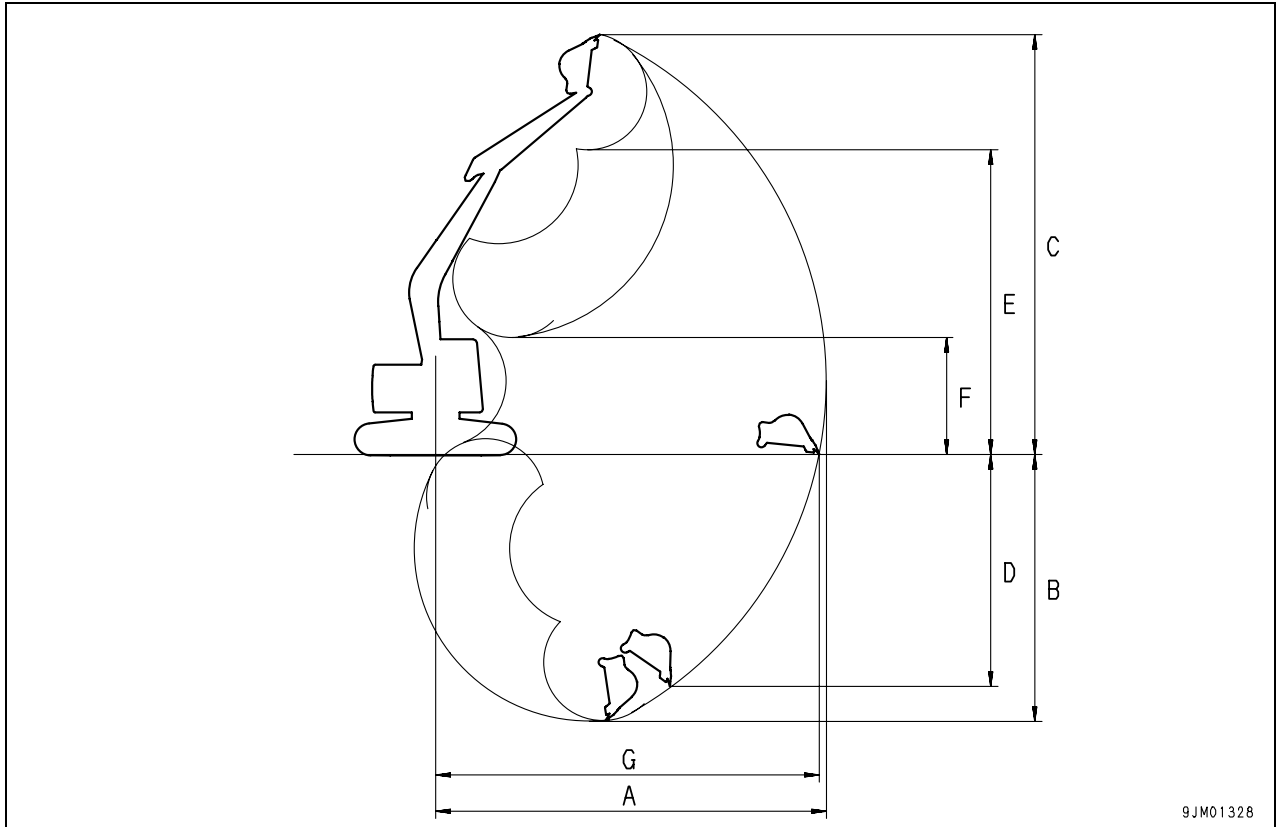
### PC210, PC210LC, PC210NLC, PC230NHD-8

	Check item	Unit	PC210-8	PC210LC-8	PC210NLC-8	PC230NHD-8
A	Overall length	mm	9,475			
B	Overall height	mm	3,000			3,025
C	Overall width	mm	2,800	3,080	2,540	
D	Shoe width	mm	600	700	500	550
E	Cab height	mm	3,035			3,060
F	Tail swing radius	mm	2,800			
G	Overall track length	mm	4,080	4,450		4,305
H	Tumbler centre distance	mm	3,270	3,655		3,460
	Min. ground length	mm	440			465

### PC240LC, PC240NLC-8

	Check item	Unit	PC240LC-8	PC240NLC-8
A	Overall length	mm	9,885	
B	Overall height	mm	3,160	
C	Overall width	mm	2,980	
D	Shoe width	mm	700	600
E	Cab height	mm	3,055	
F	Tail swing radius	mm	2,940	
G	Overall track length	mm	4,640	4,450
H	Tumbler centre distance	mm	3,845	3,655
	Min. ground length	mm	440	

### Working range diagram



9JM01328

#### PC210, PC210LC, PC210NLC, PC210NLC-8

	Check item	Unit	PC210-8	PC210LC-8	PC210NLC-8	PC230NHD-8
A	Max. digging reach	mm	9,875			
B	Max. digging depth	mm	6,620			
C	Max. digging height	mm	10,000			
D	Max. vertical wall digging depth	mm	5,980			
E	Max. dumping height	mm	7,110			
F	Min. dumping height	mm	2,645			
G	Max. reach at ground level	mm	9,700			

#### PC240LC, PC240NLC-8

	Check item	Unit	PC240LC-8	PC240NLC-8
A	Max. digging reach	mm	10,180	
B	Max. digging depth	mm	6,920	
C	Max. digging height	mm	10,000	
D	Max. vertical wall digging depth	mm	6,010	
E	Max. dumping height	mm	7,035	
F	Min. dumping height	mm	2,530	
G	Max. reach at ground level	mm	10,020	



Thank you very much  
for your reading.  
Please click here  
to get more information.