

SHOP

MANUAL

KOMATSU

D80A,E,P-18

D85A,E,P-18

MACHINE MODEL	SERIAL NO.
D80A-18	25001 and up
D85A-18	25001 and up
D80E-18	25001 and up
D85E-18	25001 and up
D80P-18	2001 and up
D85P-18	2001 and up



CONTENTS

	No. of page
10 ENGINE	
11 STRUCTURE AND FUNCTION	11-1
20 POWER TRAIN	
21 STRUCTURE AND FUNCTION	21-1
22 INSPECTION AND ADJUSTING	22-1
23 DISASSEMBLY AND ASSEMBLY	23-1
24 MAINTENANCE STANDARD	24-1
30 UNDERCARRIAGE	
31 STRUCTURE AND FUNCTION	31-1
32 INSPECTION AND ADJUSTING	32-1
33 DISASSEMBLY AND ASSEMBLY	33-1
34 MAINTENANCE STANDARD	44-1
60 HYDRAULIC CONTROL	
61 STRUCTURE AND FUNCTION	61-1
62 INSPECTION AND ADJUSTING	62-1
63 DISASSEMBLY AND ASSEMBLY	63-1
64 MAINTENANCE STANDARD	64-1
70 WORK EQUIPMENT	
71 STRUCTURE AND FUNCTION	71-1
72 INSPECTION AND ADJUSTING	72-1
73 DISASSEMBLY AND ASSEMBLY	73-1
74 MAINTENANCE STANDARD	74-1
90 OTHERS	90-1



IMPORTANT SAFETY NOTICE

Proper service and repair is extremely important for the safe operation of your machine. The service and repair techniques recommended by Komatsu and described in this manual are both effective and safe methods of operation. Some of these operations require the use of tools specially designed by Komatsu for the purpose.

To prevent injury to workers, the symbols  and  are used to mark safety precautions in this manual. The cautions accompanying these symbols should always be followed carefully. If any dangerous situation arises or may possibly arise, first consider safety, and take the necessary actions to deal with the situation.



SAFETY

GENERAL PRECAUTIONS

Mistakes in operation are extremely dangerous. Read the Operation and Maintenance Manual carefully BEFORE operating the machine.

1. Before carrying out any greasing or repairs, read all the precautions given on the decals which are fixed to the machine.
2. When carrying out any operation, always wear safety shoes and helmet. Do not wear loose work clothes, or clothes with buttons missing.
 - Always wear safety glasses when hitting parts with a hammer.
 - Always wear safety glasses when grinding parts with a grinder, etc.
3. If welding repairs are needed, always have a trained, experienced welder carry out the work. When carrying out welding work, always wear welding gloves, apron, glasses, cap and other clothes suited for welding work.
4. When carrying out any operation with two or more workers, always agree on the operating procedure before starting. Always inform your fellow workers before starting any step of the operation. Before starting work, hang UNDER REPAIR signs on the controls in the operator's compartment.
5. Keep all tools in good condition and learn the correct way to use them.

6. Decide a place in the repair workshop to keep tools and removed parts. Always keep the tools and parts in their correct places. Always keep the work area clean and make sure that there is no dirt or oil on the floor. Smoke only in the areas provided for smoking. Never smoke while working.

PREPARATIONS FOR WORK

7. Before adding oil or making any repairs, park the machine on hard, level ground, and block the wheels or tracks to prevent the machine from moving.
8. Before starting work, lower blade, ripper, bucket or any other work equipment to the ground. If this is not possible, insert the safety pin or use blocks to prevent the work equipment from falling. In addition, be sure to lock all the control levers and hang warning signs on them.
9. When disassembling or assembling, support the machine with blocks, jacks or stands before starting work.
10. Remove all mud and oil from the steps or other places used to get on and off the machine. Always use the handrails, ladders or steps when getting on or off the machine. Never jump on or off the machine. If it is impossible to use the handrails, ladders or steps, use a stand to provide safe footing.

PRECAUTIONS DURING WORK

11. When removing the oil filler cap, drain plug or hydraulic pressure measuring plugs, loosen them slowly to prevent the oil from spurting out.
Before disconnecting or removing components of the oil, water or air circuits, first remove the pressure completely from the circuit.
12. The water and oil in the circuits are hot when the engine is stopped, so be careful not to get burned.
Wait for the oil and water to cool before carrying out any work on the oil or water circuits.
13. Before starting work, remove the leads from the battery. Always remove the lead from the negative (–) terminal first.
14. When raising heavy components, use a hoist or crane.
Check that the wire rope, chains and hooks are free from damage.
Always use lifting equipment which has ample capacity.
Install the lifting equipment at the correct places. Use a hoist or crane and operate slowly to prevent the component from hitting any other part. Do not work with any part still raised by the hoist or crane.
15. When removing covers which are under internal pressure or under pressure from a spring, always leave two bolts in position on opposite sides. Slowly release the pressure, then slowly loosen the bolts to remove.
16. When removing components, be careful not to break or damage the wiring. Damaged wiring may cause electrical fires.
17. When removing piping, stop the fuel or oil from spilling out. If any fuel or oil drips on to the floor, wipe it up immediately. Fuel or oil on the floor can cause you to slip, or can even start fires.
18. As a general rule, do not use gasoline to wash parts. In particular, use only the minimum of gasoline when washing electrical parts.
19. Be sure to assemble all parts again in their original places.
Replace any damaged parts with new parts.
 - When installing hoses and wires, be sure that they will not be damaged by contact with other parts when the machine is being operated.
20. When installing high pressure hoses, make sure that they are not twisted. Damaged tubes are dangerous, so be extremely careful when installing tubes for high pressure circuits. Also, check that connecting parts are correctly installed.
21. When assembling or installing parts, always use the specified tightening torques. When installing protective parts such as guards, or parts which vibrate violently or rotate at high speed, be particularly careful to check that they are installed correctly.
22. When aligning two holes, never insert your fingers or hand. Be careful not to get your fingers caught in a hole.
23. When measuring hydraulic pressure, check that the measuring tool is correctly assembled before taking any measurements.
24. Take care when removing or installing the tracks of track-type machines.
When removing the track, the track separates suddenly, so never let anyone stand at either end of the track.

FOREWORD

This shop manual has been prepared as an aid to improve the quality of repairs by giving the serviceman an accurate understanding of the product and by showing him the correct way to perform repairs and make judgements. Make sure you understand the contents of this manual and use it to full effect at every opportunity.

This shop manual mainly contains the necessary technical information for operations performed in a service workshop.

For ease of understanding, the manual is divided into chapters for each main group of components; these chapters are further divided into the following sections.

STRUCTURE AND FUNCTION

This section explains the structure and function of each component. It serves not only to give an understanding of the structure, but also serves as reference material for troubleshooting.

TESTING AND ADJUSTING

This section explains checks to be made before and after performing repairs, as well as adjustments to be made at completion of the checks and repairs.

Troubleshooting charts correlating "Problems" to "Causes" are also included in this section.

DISASSEMBLY AND ASSEMBLY

This section explains the order to be followed when removing, installing, disassembling or assembling each component, as well as precautions to be taken for these operations.

MAINTENANCE STANDARD

This section gives the judgement standards when inspecting disassembled parts.

NOTICE

The specifications contained in this shop manual are subject to change at any time and without any advance notice. Contact your KOMATSU distributor for the latest information.

HOW TO READ THE SHOP MANUAL

VOLUMES

Shop manuals are issued as a guide to carrying out repairs. They are divided as follows:

- Chassis volume:** Issued for every machine model
- Engine volume:** Issued for each engine series
- Electrical volume** : Each issued as one
- Attachments volume** : } volume to cover all models

These various volumes are designed to avoid duplicating the same information. Therefore to deal with all repairs for any model, it is necessary that chassis, engine, electrical and attachment volumes are ready

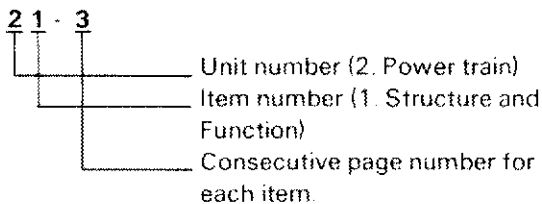
DISTRIBUTION AND UPDATING

Any additions, amendments or other changes will be sent to KOMATSU distributors. Get the most up-to-date information before you start any work.

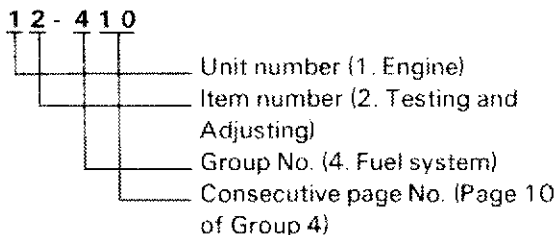
FILING METHOD

- See the page number on the bottom of the page. File the pages in correct order.
- Following examples show how to read the page number.

Example 1 (Chassis volume):

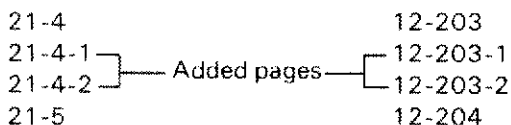


Example 2 (Engine volume):



- Additional pages: Additional pages are indicated by a hyphen (-) and number after the page number. File as in the example.

Example:



REVISED EDITION MARK (① ② ③....)

When a manual is revised, an edition mark is recorded on the bottom outside corner of the pages.

REVISIONS

Revised pages are shown at the LIST OF REVISED PAGES on the between the title page and SAFETY page.


SYMBOLS

So that the shop manual can be of ample practical use, important places for safety and quality are marked with the following symbols.

Symbol	Item	Remarks
	Safety	Special safety precautions are necessary when performing the work.
		Extra special safety precautions are necessary when performing the work because it is under internal pressure.
	Caution	Special technical precautions or other precautions for preserving standards are necessary when performing the work.
	Weight	Weight of parts or systems. Caution necessary when selecting hoisting wire, or when working posture is important, etc.
	Tightening torque	Places that require special attention for the tightening torque during assembly.
	Coat	Places to be coated with adhesives and lubricants etc.
	Oil, water	Places where oil, water or fuel must be added, and the capacity.
	Drain	Places where oil or water must be drained, and quantity to be drained.

HOISTING INSTRUCTIONS



⚠ Heavy parts (25 kg or more) must be lifted with a hoist etc. In the **Disassembly and Assembly** section, every part weighing 25 kg or more is indicated clearly with the symbol 

- If a part cannot be smoothly removed from the machine by hoisting, the following checks should be made:
 - Check for removal of all bolts fastening the part to the relative parts.
 - Check for existence of another part causing interference with the part to be removed.

2. Wire ropes

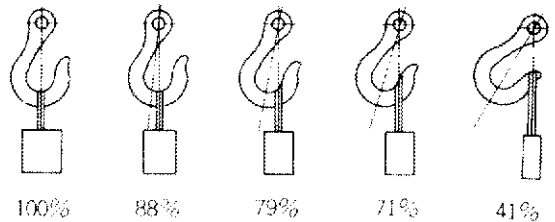
- Use adequate ropes depending on the weight of parts to be hoisted, referring to the table below:

Wire ropes (Standard "Z" or "S" twist ropes without galvanizing)	
Rope diameter (mm)	Allowable load (tons)
10	1.0
11.2	1.4
12.5	1.6
14	2.2
16	2.8
18	3.6
20	4.4
22.4	5.6
30	10.0
40	18.0
50	28.0
60	40.0

The allowable load value is estimated to be one-sixth or one-seventh of the breaking strength of the rope used.

- Sling wire ropes from the middle portion of the hook.

Slings near the edge of the hook may cause the rope to slip off the hook during hoisting, and a serious accident can result. Hooks have maximum strength at the middle portion.



FS0064

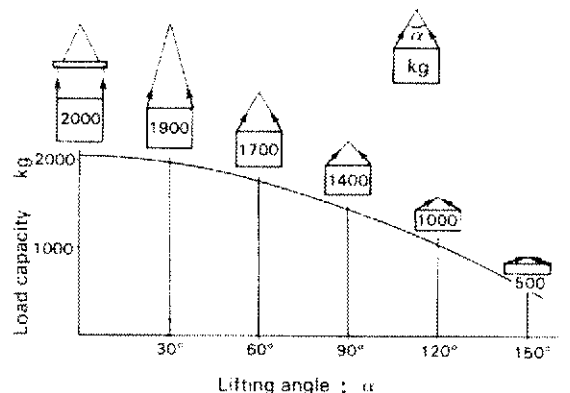
- Do not sling a heavy load with one rope alone, but sling with two or more ropes symmetrically wound on to the load.

⚠ Slings with one rope may cause turning of the load during hoisting, untwisting of the rope, or slipping of the rope from its original winding position on the load, which can result in a dangerous accident.

- Do not sling a heavy load with ropes forming a wide hanging angle from the hook.

When hoisting a load with two or more ropes, the force subjected to each rope will increase with the hanging angles. The table below shows the variation of allowable load (kg) when hoisting is made with two ropes, each of which is allowed to sling up to 1000 kg vertically, at various hanging angles.

When two ropes sling a load vertically, up to 2000 kg of total weight can be suspended. This weight becomes 1000 kg when two ropes make a 120° hanging angle. On the other hand, two ropes are subjected to an excessive force as large as 4000 kg if they sling a 2000 kg load at a lifting angle of 150°.





FS0065



STANDARD TIGHTENING TORQUE

1. STANDARD TIGHTENING TORQUE OF BOLTS AND NUTS

The following charts give the standard tightening torques of bolts and nuts. Exceptions are given in sections of "Disassembly and Assembly".

Thread diameter of bolt (mm)	Width across flat (mm)		
		kgm	Nm
6	10	1.35 ± 0.15	13.2 ± 1.4
8	13	3.2 ± 0.3	31.4 ± 2.9
10	17	6.7 ± 0.7	65.7 ± 6.8
12	19	11.5 ± 1.0	112 ± 9.8
14	22	18.0 ± 2.0	177 ± 19
16	24	28.5 ± 3	279 ± 29
18	27	39 ± 4	383 ± 39
20	30	56 ± 6	549 ± 58
22	32	76 ± 8	745 ± 78
24	36	94.5 ± 10	927 ± 98
27	41	135 ± 15	1320 ± 140
30	46	175 ± 20	1720 ± 190
33	50	225 ± 25	2210 ± 240
36	55	280 ± 30	2750 ± 290
39	60	335 ± 35	3280 ± 340

This torque table does not apply to the bolts with which nylon packings or other non-ferrous metal washers are to be used, or which require tightening to otherwise specified torque.

★ Nm (newton meter): 1Nm ≅ 0.1 kgm

2. TIGHTENING TORQUE OF SPLIT FLANGE BOLTS

Use these torques for split flange bolts.

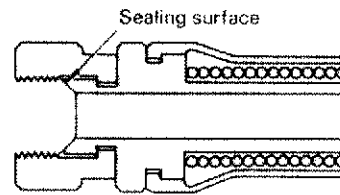
Thread diameter of bolt (mm)	Width across flats (mm)	Tightening torque	
		kgm	Nm
10	14	6.7 ± 0.7	65.7 ± 6.8
12	17	11.5 ± 1	112 ± 9.8
16	22	28.5 ± 3	279 ± 29

STANDARD TIGHTENING TORQUE



3. TIGHTENING TORQUE FOR NUTS OF FLARED

Use these torques for nut part of flared.



FS0068

Thread diameter of nut part (mm)	Width across flats of nut part (mm)	Tightening torque	
		kgm	Nm
14	19	2.5 ± 0.5	24.5 ± 4.9
18	24	5 ± 2	49 ± 19.6
22	27	8 ± 2	78.5 ± 19.6
24	32	14 ± 3	137.3 ± 29.4
30	36	18 ± 3	176.5 ± 29.4
33	41	20 ± 5	196.1 ± 49
36	46	25 ± 5	245.2 ± 49
42	55	30 ± 5	294.2 ± 49

COATING MATERIALS



The recommended coating materials prescribed in Komatsu Shop Manuals are listed below.

Nomenclature	Komatsu code	Applications
Adhesives	LT-1A	Used to apply rubber pads, rubber gaskets, and cork plugs.
	LT-1B	Used to apply resin, rubber, metallic and non-metallic parts when a fast, strong seal is needed
	LT-2*	Preventing bolts, nuts and plugs from loosening and leaking oil.
	LT-3	Provides an airtight, electrically insulating seal. Used for aluminum surfaces.
Liquid gasket	LG-1	Used with gaskets and packings to increase sealing effect.
	LG-3	Heat-resistant gasket for precombustion chambers and exhaust piping.
	LG-4	Used by itself on mounting surfaces on the final drive and transmission cases (Thickness after tightening: 0.07 – 0.08 mm)
	LG-5	Used by itself to seal grease fittings, tapered screw fittings and tapered screw fittings in hydraulic circuits of less than 50 mm in diameter.
Antifriction compound (Lubricant including molybdenum disulfide)	LM-P	Applied to bearings and taper shafts to facilitate press-fitting and to prevent sticking, burning or rusting.
Grease (Lithium grease)	G2-LI	Applied to bearings, sliding parts and oil seals for lubrication, rust prevention and facilitation of assembling work
Vaseline	---	Used for protecting battery electrode terminals from corrosion.

*LT-2 is also called LOCTITE in the shop manuals.

ELECTRIC WIRE CODE

In the wiring diagrams, various colors and symbols are employed to indicate the thickness of wires.

This wire code table will help you understand WIRING DIAGRAMS

Example: 05WB indicates a cable having a nominal number 05 and white coating with black stripe.

CLASSIFICATION BY THICKNESS

Nominal number	Copper wire			Cable O.D. (mm)	Current rating (A)	Applicable circuit
	Number strands	Dia. of strands (mm)	Cross section (mm ²)			
01	11	0.32	0.88	2.4	12	Starting, lighting, signal etc.
02	26	0.32	2.09	3.1	20	Lighting, signal etc.
05	65	0.32	5.23	4.6	37	Charging and signal
15	84	0.45	13.36	7.0	59	Starting (Glow plug)
40	85	0.80	42.73	11.4	135	Starting
60	127	0.80	63.84	13.6	178	Starting
100	217	0.80	109.1	17.6	230	Starting

CLASSIFICATION BY COLOR AND CODE

Priority	Circuits		Starting	Charging	Lighting	Signal	Instrument	Other
	Classification							
1	Primary	Code	B	W	R	G	Y	L
		Color	Black	White	Red	Green	Yellow	Blue
2	Auxiliary	Code	BW	WR	RW	GW	YR	LW
		Color	Black & White	White & Red	Red & White	Green & White	Yellow & Red	Blue & White
3		Code	BY	WB	RB	GR	YB	LR
		Color	Black & Yellow	White & Black	Red & Black	Green & Red	Yellow & Black	Blue & Red
4		Code	BR	WL	RY	GY	YG	LY
		Color	Black & Red	White & Blue	Red & Yellow	Green & Yellow	Yellow & Green	Blue & Yellow
5		Code	—	WY	RG	GB	YL	LB
		Color	—	White & Yellow	Red & Green	Green & Black	Yellow & Blue	Blue & Black
6		Code	—	WG	RL	GL	YW	
		Color	—	White & Green	Red & Blue	Green & Blue	Yellow & White	

LIST OF WEIGHT

Unit: kg

Machine Model	D80-18		D85-18	
	A (E)	P	A (E)	P
Serial No.	25001 ~	2001 ~	25001 ~	2001 ~
Engine, main clutch assembly	2,065 (D80AE #25401~ 2,015 (D80P #2501~)		—	
• Engine assembly	1,700 (D80AE #25401~ 1,750 (D80P #2051~)		—	
• Main clutch assembly	235		—	
• P.T.O. assembly	80		—	
Engine, torque converter assembly	—		2,040 (D85AE #26001~ 1,975 (D85P #2051~)	
• Engine assembly	—		1,750	
• Torque converter assembly	—		1,685 (D85AE #26001~ 210 (D85P #2051~)	
• P.T.O. assembly	—		80	
Radiator guard, lift cylinder assembly	1,350	1,435	1,350	1,435
• Radiator guard	466	639	466	639
• Radiator assembly	250	250	250	250
• Lift cylinder assembly (R,L.)	270	320	270	320
Fuel tank assembly			230 (D80AE-18 #25401~ 185 (D85AE-18 #26001~ D80,85P-18 #2051~)	
Universal joint assembly			10	
Transmission assembly	465		—	
Torqflow transmission assembly	—		730	
• Control valve assembly	—			
Bevel gear shaft, steering clutch assembly				
• Steering clutch, brake band assembly (one side)			125	
• Bevel gear shaft			30	
• Bevel gear			27	
Steering control valve assembly			55	
Brake cover, link assembly			40	
Final drive case (one side)			210	

LIST OF WEIGHT

GENERAL

Unit: kg

Machine Model	D80-18		D85-18	
	A (E)	P	A (E)	P
Serial No.	25001 ~	2001 ~	25001 ~	2001 ~
Sprocket hub, No.2 gear assembly (one side)	230			
No. 1 gear, No. 2 pinion assembly (one side)	80			
Sprocket assembly (one side)	230			
Main fram assembly	1,950	1,950	1,950	1,950
• Main frame, bevel gear case assembly	1,760	1,760	1,760	1,760
• Sprocket shaft (one side)	95	115	95	115
Track assembly	1,605 (1,735)	2,560	1,605 (1,735)	2,560
Track group assembly (one side)	2,200 (2,250)	2,560	2,200 (2,250)	2,560
• Idler assembly	380	380	380	380
• Track roller assembly (single one)	75	75	75	75
(double one)	80	80	80	80
• Carrier roller assembly (one)	55	55	55	55
• Recoil spring (one side)	170	170	170	170
• Track frame (left)	785 (825)	978	785 (825)	978
(right)	800 (825)	978	800 (825)	978
Equalizer bar	205	243	205	243
Engine underguard	132			
Transmission underguard	120			
Floor frame assembly	400			
Side frame (Fender)	205			
P.T.O. assembly	80			
• Work equipment pump assembly	45			
• Transmission pump assembly	10			
• Steering pump assembly	15			

GENERAL LIST OF WEIGHT

Machine Model	D80-18		D85-18	
	A (E)	P	A (E)	P
Serial No.	25001 ~	2001 ~	25001 ~	2001 ~
Hydraulic tank assembly	250			
• Control valve assembly	105			
Blade lift cylinder assembly (one side)	135	160	135	160
Blade tilt cylinder assembly	180			
Ripper cylinder assembly	100	—	100	—
Work equipment assembly	100			
• Servo valve assembly	12			
Straight tilt dozer assembly	3,020	3,015	3,020	3,015
• Straight blade	1,550	1,460	1,550	1,460
• Straight frame (left)	350	370	350	370
(right)	410	370	410	370
• Tilt cylinder assembly	180	180	180	180
Angle blade assembly	3,230	—	3,230	—
• Angle blade	1,375	—	1,375	—
• C frame assembly	1,390	—	1,390	—
Multi ripper assembly	2,540 (#25001 ~ 25400) 2,390 (#25401~)	—	2,590 (#25001 ~ 26000) 2,390 (#26001~)	—
• Shank assembly (one)	190	—	190	—
• Ripper cylinder assembly (one side)	100	—	100	—
Ripper bracket (one side)	125	—	125	—

LIST OF LUBRICANT AND WATER

() Refill capacity

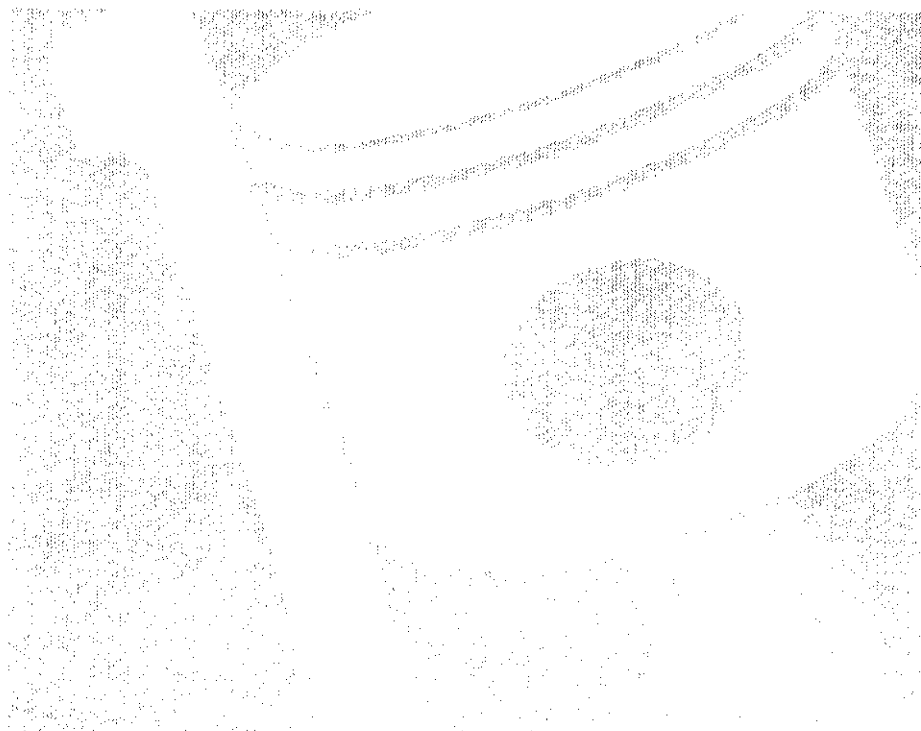
Machine Model	D80-18		D85-18		Remarks
	A	P	A	P	
Serial No.	25001 ~	2001 ~	25001 ~	2001 ~	
Engine cooling water	79 ℓ				Water
Fuel tank	450 ℓ				Diesel oil ASTM D975 No. 2 or No. 1
Engine oil pan	43 ℓ (23 ℓ)				
Main clutch case	25 ℓ (18 ℓ)		—		
Transmission · steering case	113 ℓ (99 ℓ)		—		EO30-CD or EO10W-CD
Torque converter, transmission, steering case	—		122 ℓ (90 ℓ)		
Final drive case (one side)	36 ℓ	51 ℓ	36 ℓ	51 ℓ	
Hydraulic system	110 ℓ (70 ℓ)				EO10W-CD
Carrier roller (one)	470 ~ 530 cc				
Track roller (one)	280 ~ 320 cc				GO140-B
Idler (one)	280 ~ 320 cc				

SHOP MANUAL

N-855 SERIES

Engine Serial No. 26100001 and up

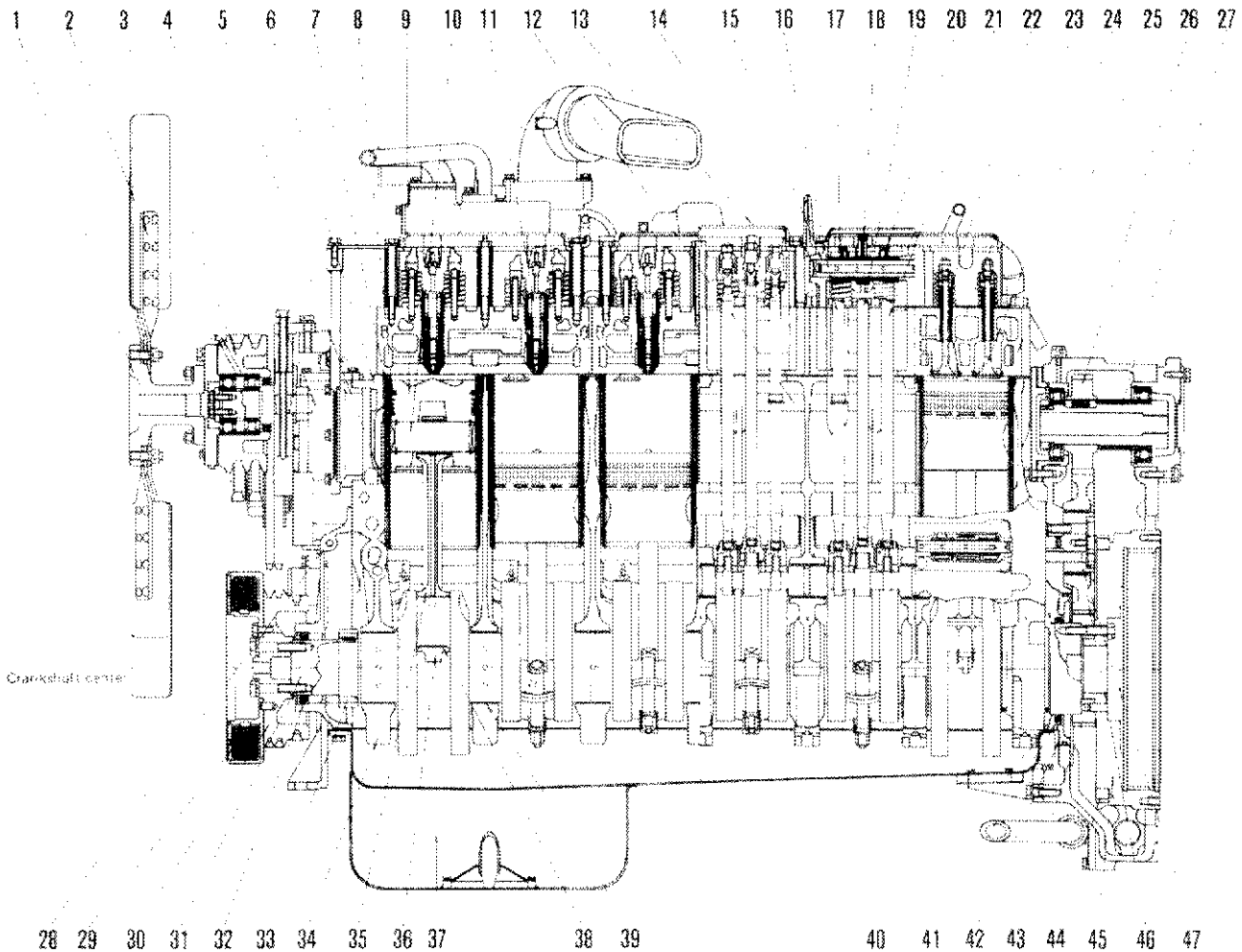
11 ENGINE **STRUCTURE AND FUNCTION**



CONTENTS

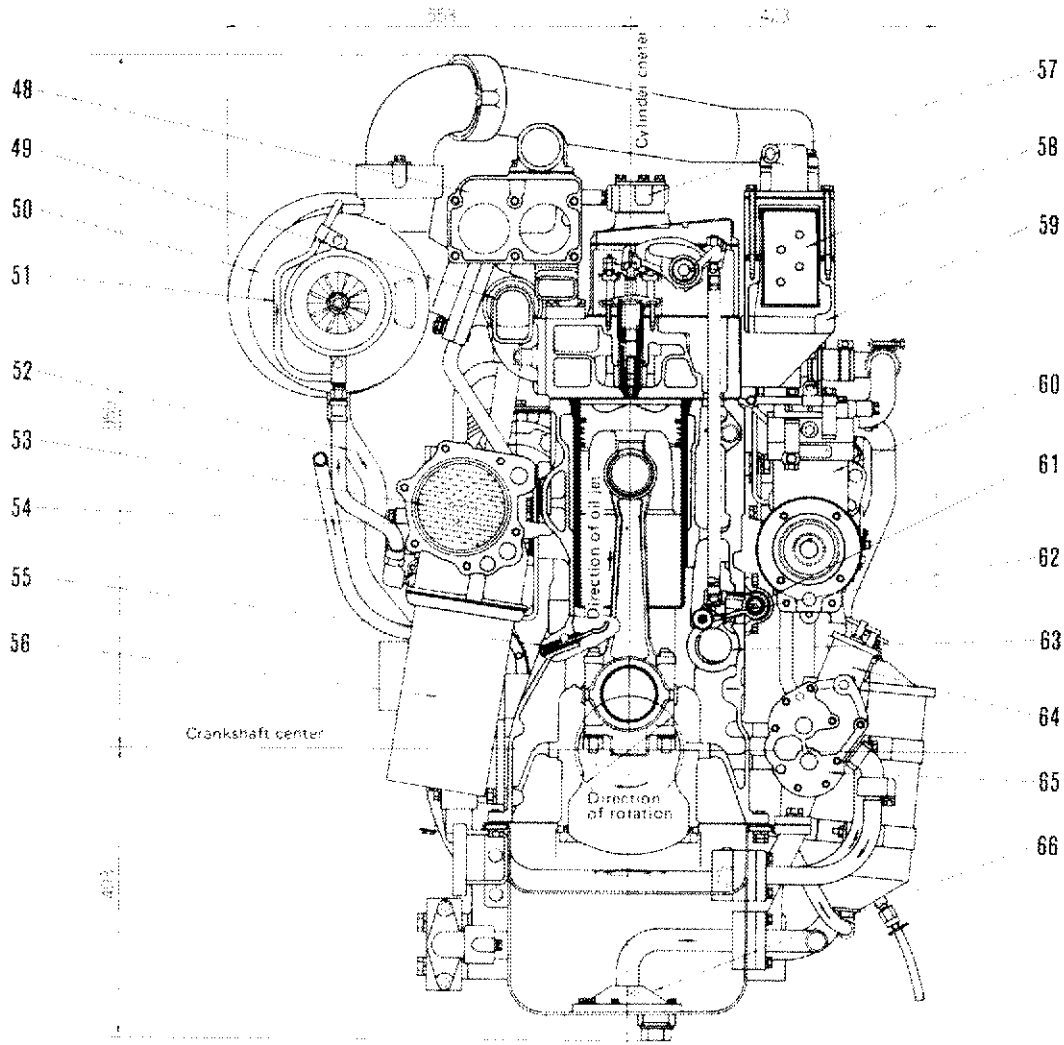
GENERAL STRUCTURE	11-004	FUEL SYSTEM	
INTAKE AND EXHAUST SYSTEM	11-006	Fuel system chart	11-045
Turbocharger	11-014	PT fuel pump	11-048
After-cooler	11-016	PT fuel pump drive	11-058
ENGINE BODY		Injector	11-060
Cylinder head	11-017	Fuel filter	11-061
Valve system	11-018	Water separator	11-063
Cylinder block	11-020	Aneroid control valve	11-064
Main circulation system	11-022	COOLING SYSTEM	
Timing gear	11-023	Cooling system chart	11-066
Camshaft, cam follower and push rod	11-024	Water pump	11-068
Injection timing, valve timing	11-025	Fan drive	11-071
Flywheel and flywheel housing	11-026	Tension pulley	11-075
		Thermostat	11-077
		Corrosion resistor	11-078
LUBRICATION SYSTEM		ACCESSORY	
Lubrication system chart	11-034	Air compressor	11-079
Oil pump	11-036	ELECTRICAL SYSTEM	
Oil filter and oil cooler	11-039	Alternator	11-080
Full-flow filter	11-042	Starting motor	11-083
By-pass filter	11-043	Electrical intake air heater	11-085
Oil cooler	11-044		

GENERAL STRUCTURE



6710F012

- | | | | |
|-------------------------------|---------------------------|----------------------------|----------------------------------|
| 1. Fan spacer | 14. Rocker arm housing | 27. PTO gear shaft | 40. Rear cover plate |
| 2. Fan | 15. Rocker arm shaft | 28. Gear case | 41. Rear oil seal |
| 3. Fan pulley | 16. Push rod (Exhaust) | 29. Vibration damper | 42. Seal retainer |
| 4. Water pump | 17. Rocker arm (Exhaust) | 30. Crankshaft pulley | 43. PTO drive gear |
| 5. Liner seal ring | 18. Rocker arm (Injector) | 31. Crankshaft | 44. Ring gear |
| 6. Cylinder block | 19. Push rod (Injector) | 32. Front oil seal | 45. Flywheel |
| 7. Cylinder liner | 20. Rocker arm (Intake) | 33. Crankshaft gear | 46. PTO idler gear |
| 8. Piston ring | 21. Push rod (Intake) | 34. Main bearing cap | 47. PTO idler shaft |
| 9. Piston | 22. Valve guide | 35. Connecting rod | 48. Thermostat housing |
| 10. Piston pin | 23. Valve (Intake) | 36. Connecting rod cap | 49. Exhaust manifold |
| 11. Injector | 24. Valve (Exhaust) | 37. Oil pan | 50. Turbocharger |
| 12. Compression release shaft | 25. Cylinder head | 38. Connecting rod bearing | 51. Oil pipe (to turbocharger) |
| 13. Rocker arm housing | 26. PTO gear | 39. Main bearing | 52. Oil pipe (from turbocharger) |



6710F013

- | | |
|---------------------------|------------------------|
| 53. Oil cooler element | 60. Air compressor |
| 54. Oil cooler housing | 61. Cam follower shaft |
| 55. Piston cooling nozzle | 62. Cam roller |
| 56. Full-flow filter | 63. Camshaft |
| 57. Crankcase breather | 64. Oil filter |
| 58. After-cooler core | 65. Oil pump |
| 59. After-cooler housing | 66. Oil strainer |

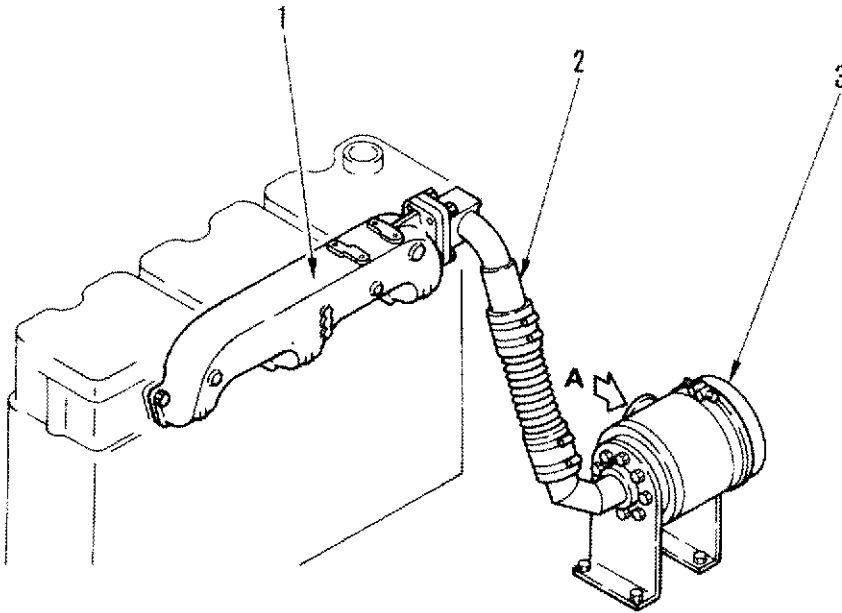
Engine:
 N-855-C
 NT-855-C (With turbocharger)
 NTA-855-C
 (With turbocharger and after-cooler)

Type: In-line, 6-cylinders, water-cooled, direct fuel injection, 4-cycle diesel engine.

INTAKE AND EXHAUST SYSTEM

N-855-C (For PC300-1, 2, PC300LC-1, 2)

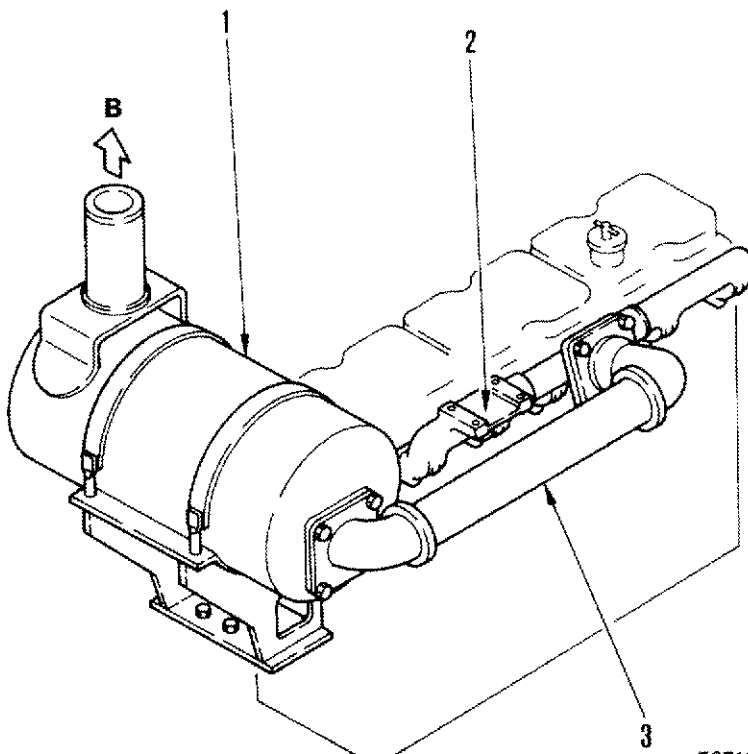
INTAKE SYSTEM



- 1. Intake manifold
- 2. Intake connector pipe
- 3. Air cleaner
- A. Intake

F6710A001

EXHAUST SYSTEM

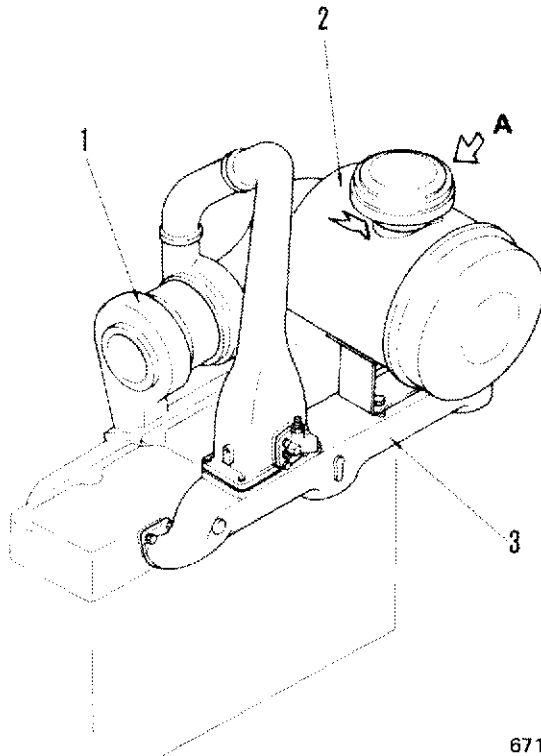


- 1. Muffler
- 2. Exhaust manifold
- 3. Exhaust connector pipe
- B. Exhaust

F6710A002

NT-855-C (For D80, 85-18, D95S-2)

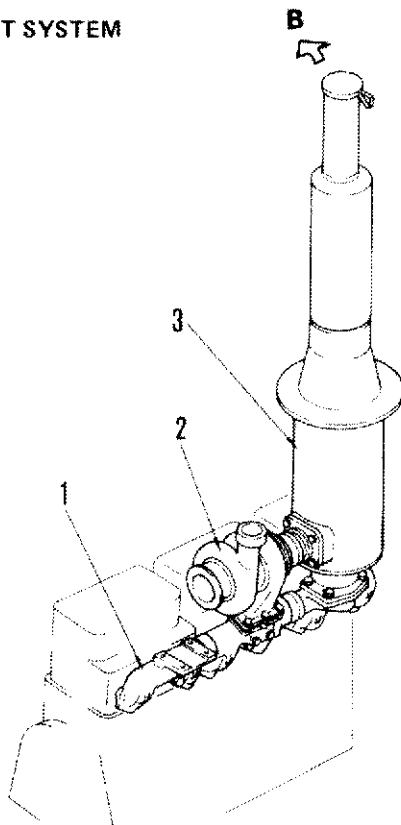
INTAKE SYSTEM



- 1. Turbocharger
- 2. Air cleaner
- 3. Intake manifold
- A. Intake

6710F054

EXHAUST SYSTEM



- 1. Exhaust manifold
- 2. Turbocharger
- 3. Muffler
- B. Exhaust

6710F056

