

# Shop Manual



## KOMATSU

PC210-8




PC210LC-8

PC210LC-8

PC230NHD-8

PC240LC-8

PC240NLC-8

 **PDF**  **DOWNLOAD** 

|           |        |
|-----------|--------|
| PC210-    | K50001 |
| PC210LC-  | K50001 |
| PC210LC-  | K50001 |
| PC230NHD- | K50001 |
| PC240LC-  | K50001 |
| PC240NLC- | K50001 |

and up

# KOMATSU

# Shop Manual



# HYDRAULIC EXCAVATOR

**PC210-8****PC240LC-8****PC210LC-8****PC240NLC-8****PC210NLC-8****PC230NHD-8****Machine model      Serial number**

|            |               |
|------------|---------------|
| PC210-8    | K50001 and up |
| PC210LC-8  | K50001 and up |
| PC210NLC-8 | K50001 and up |
| PC230NHD   | K50001 and up |
| PC240LC-8  | K50001 and up |
| PC240NLC-8 | K50001 and up |

---

## 01 Specification

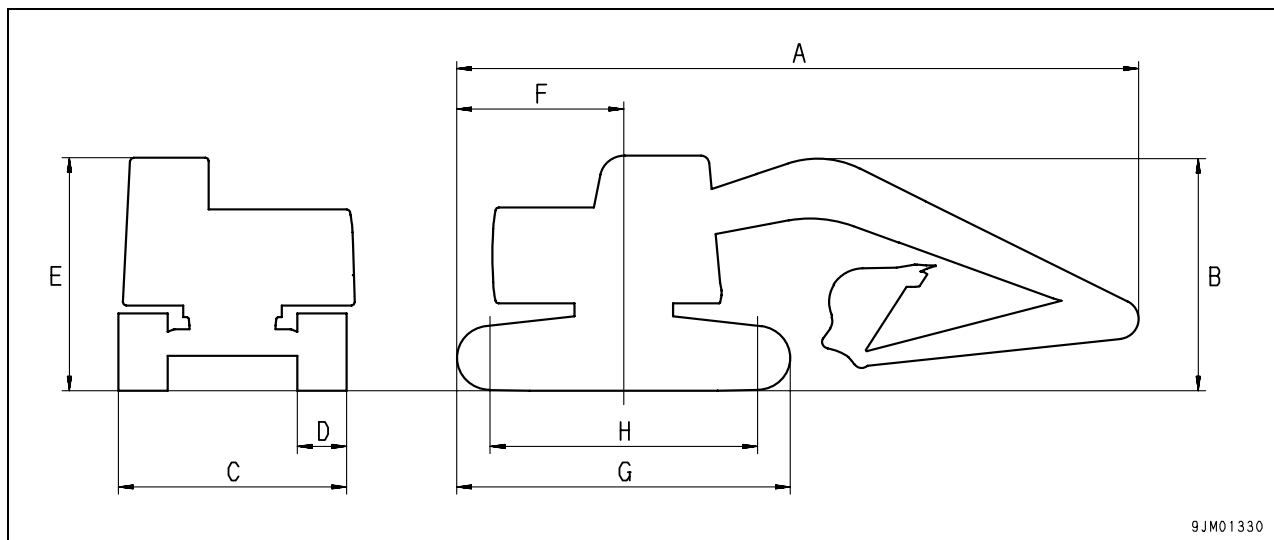
### Specification and technical data

---

|   |    |
|---|----|
| Specification and technical data.....       | 2  |
| Specification dimension drawings .....      | 2  |
| Working range diagram .....                 | 3  |
| Specifications .....                        | 4  |
| Weight table .....                          | 8  |
| Table of fuel, coolant and lubricants ..... | 12 |

# Specification and technical data

## Specification dimension drawings



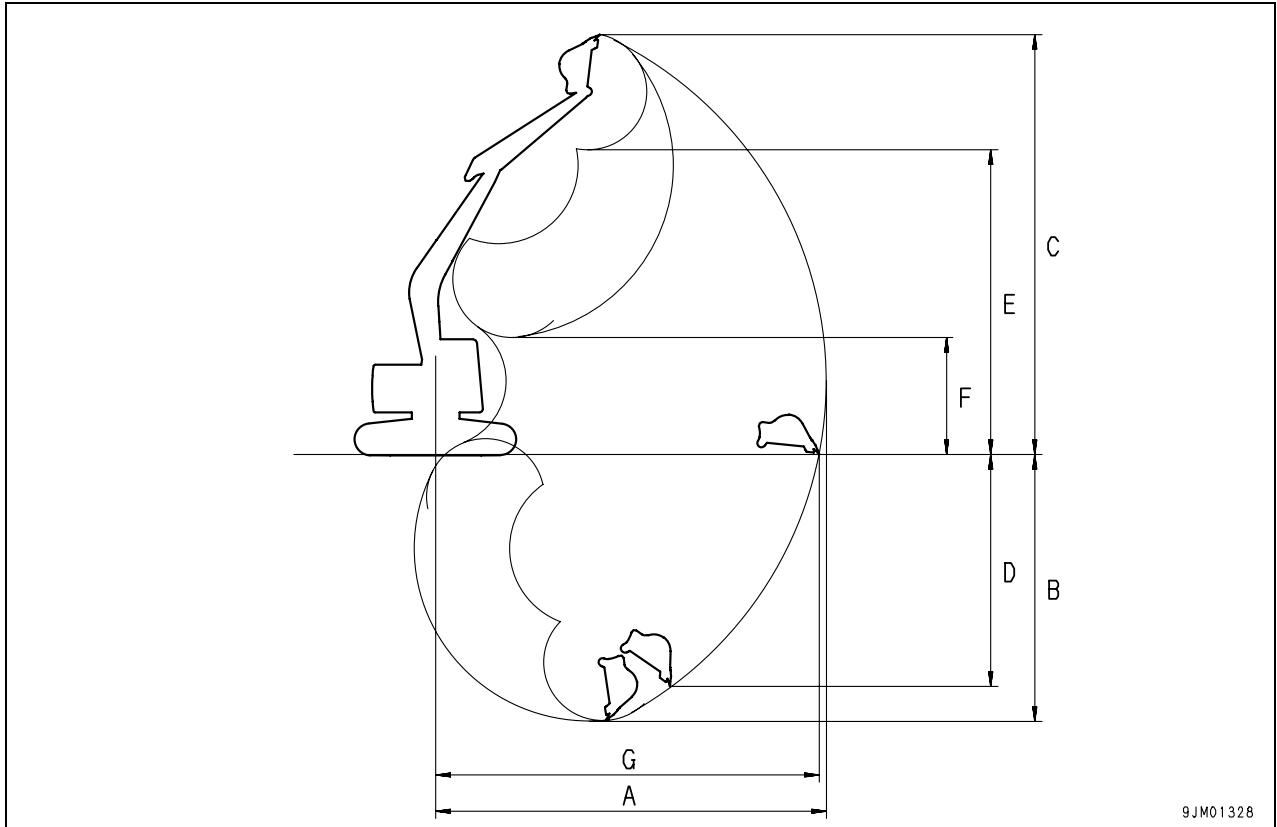
### PC210, PC210LC, PC210NLC, PC230NHD-8

|   | Check item              | Unit | PC210-8 | PC210LC-8 | PC210NLC-8 | PC230NHD-8 |
|---|-------------------------|------|---------|-----------|------------|------------|
| A | Overall length          | mm   | 9,475   |           |            |            |
| B | Overall height          | mm   | 3,000   |           |            | 3,025      |
| C | Overall width           | mm   | 2,800   | 3,080     | 2,540      |            |
| D | Shoe width              | mm   | 600     | 700       | 500        | 550        |
| E | Cab height              | mm   | 3,035   |           |            | 3,060      |
| F | Tail swing radius       | mm   | 2,800   |           |            |            |
| G | Overall track length    | mm   | 4,080   | 4,450     |            | 4,305      |
| H | Tumbler centre distance | mm   | 3,270   | 3,655     |            | 3,460      |
|   | Min. ground length      | mm   | 440     |           |            | 465        |

### PC240LC, PC240NLC-8

|   | Check item              | Unit | PC240LC-8 | PC240NLC-8 |
|---|-------------------------|------|-----------|------------|
| A | Overall length          | mm   | 9,885     |            |
| B | Overall height          | mm   | 3,160     |            |
| C | Overall width           | mm   | 2,980     |            |
| D | Shoe width              | mm   | 700       | 600        |
| E | Cab height              | mm   | 3,055     |            |
| F | Tail swing radius       | mm   | 2,940     |            |
| G | Overall track length    | mm   | 4,640     | 4,450      |
| H | Tumbler centre distance | mm   | 3,845     | 3,655      |
|   | Min. ground length      | mm   | 440       |            |

### Working range diagram



#### PC210, PC210LC, PC210NLC, PC210NLC-8

|   | Check item                       | Unit | PC210-8 | PC210LC-8 | PC210NLC-8 | PC230NHD-8 |
|---|----------------------------------|------|---------|-----------|------------|------------|
| A | Max. digging reach               | mm   | 9,875   |           |            |            |
| B | Max. digging depth               | mm   | 6,620   |           |            |            |
| C | Max. digging height              | mm   | 10,000  |           |            |            |
| D | Max. vertical wall digging depth | mm   | 5,980   |           |            |            |
| E | Max. dumping height              | mm   | 7,110   |           |            |            |
| F | Min. dumping height              | mm   | 2,645   |           |            |            |
| G | Max. reach at ground level       | mm   | 9,700   |           |            |            |

#### PC240LC, PC240NLC-8

|   | Check item                       | Unit | PC240LC-8 | PC240NLC-8 |
|---|----------------------------------|------|-----------|------------|
| A | Max. digging reach               | mm   | 10,180    |            |
| B | Max. digging depth               | mm   | 6,920     |            |
| C | Max. digging height              | mm   | 10,000    |            |
| D | Max. vertical wall digging depth | mm   | 6,010     |            |
| E | Max. dumping height              | mm   | 7,035     |            |
| F | Min. dumping height              | mm   | 2,530     |            |
| G | Max. reach at ground level       | mm   | 10,020    |            |



Thank you very much  
for your reading.  
Please click here  
to get more information.