

John Deere 3033R, 3038R, 3039R, 3045R, 3046R Compact Utility Tractors Technical Service Manual (TM130619)

3033R, 3038R, 3039R,
3045R and 3046R Compact
Utility Tractors Diagnostic
and Repair Manual
(September 2014)



TECHNICAL MANUAL

Compact Utility models 3045R, 3038R, 3046R, 3039R, 3033R

TM130619 17 SEP 14 (ENGLISH)

For complete service information also see:

3TNV86, 4TNV86, 3TNV88, and 4TNV88 Diesel Engines(Final Tier 4/Stage IV platform)

CTM120419



John Deere Agriculture
Printed by Belgreen



Covers: 3045R,3038R,3046R,3039R,3033R

Type: Service Manual

Language: English

Pages: 1308

Format: PDF

Features: Bookmarked, searchable, printable

Compatibility: Windows/Mac/Tablet/Mobile

This service manual contains important information for the maintenance, troubleshooting and servicing of the **John Deere 3033R, 3038R, 3039R, 3045R, 3046R Compact Utility Tractors Technical Service Manual (TM130619)**

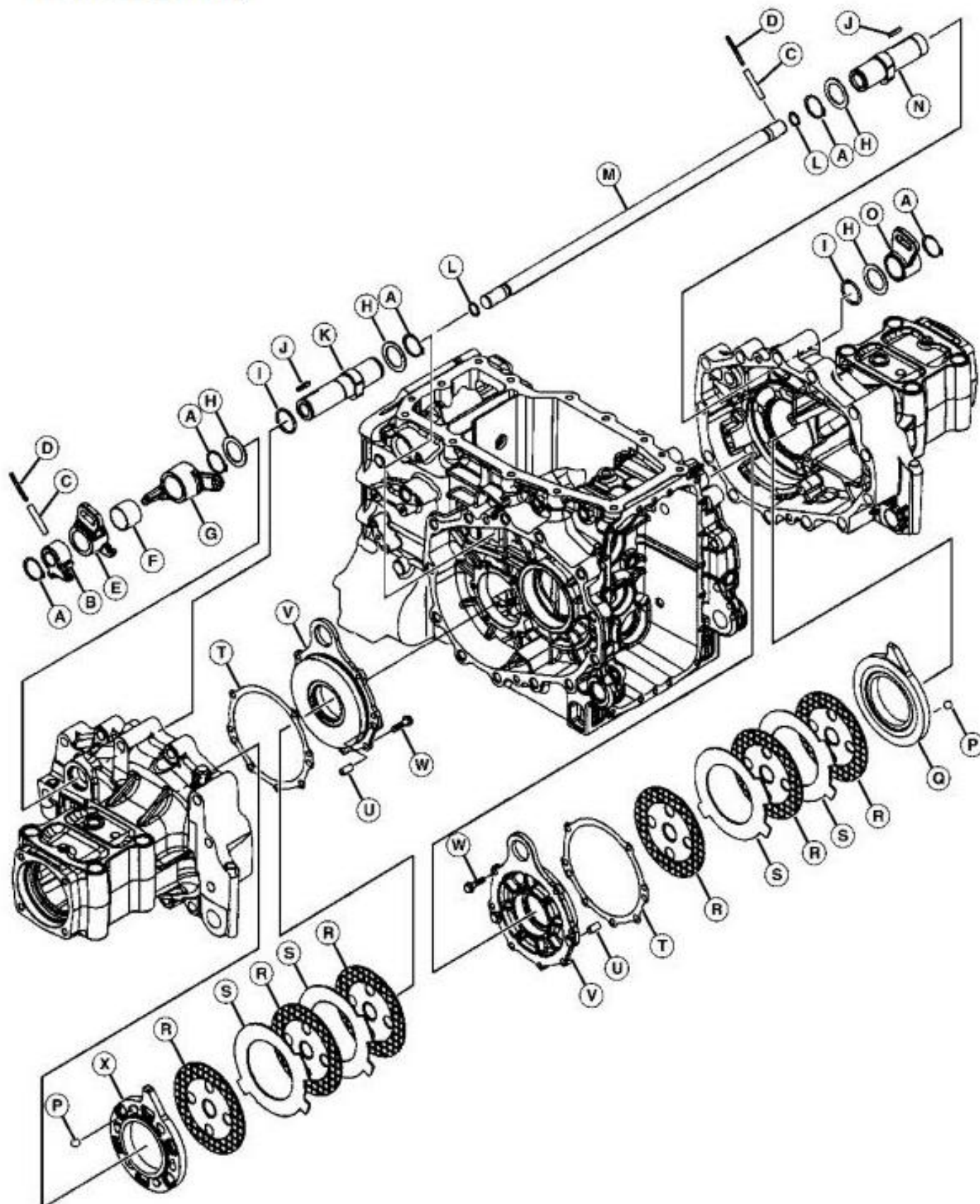
In this manual you will find detailed specifications, illustrations, schematics, diagrams and step-by-step procedures to properly service and diagnose the machine to the manufacturer's standards.

Contents:

- General Information
- Specifications
- Serial Number Location
- Engine Specifications
- Engine Diagnostics
- Engine Tests and Adjustments
- Engine Repair
- Power Train
- Transmission
- Axles
- Differential
- PTO
- Hydraulic System
- Electrical System
- Electrical Tests and Diagnostics
- Wiring Diagram / Schematic
- Ignition and Charging
- Steering
- Brakes
- Wheels
- Operator's Platform
- Body Panels
- Disassembly and Assembly
- Diagnostics, Tests and Adjustments
- Troubleshooting
- and much more...

Please note this manual is in **downloadable PDF format only**. If you have any questions about this product or would like to request sample pages, please contact us and reference the product name or SKU.

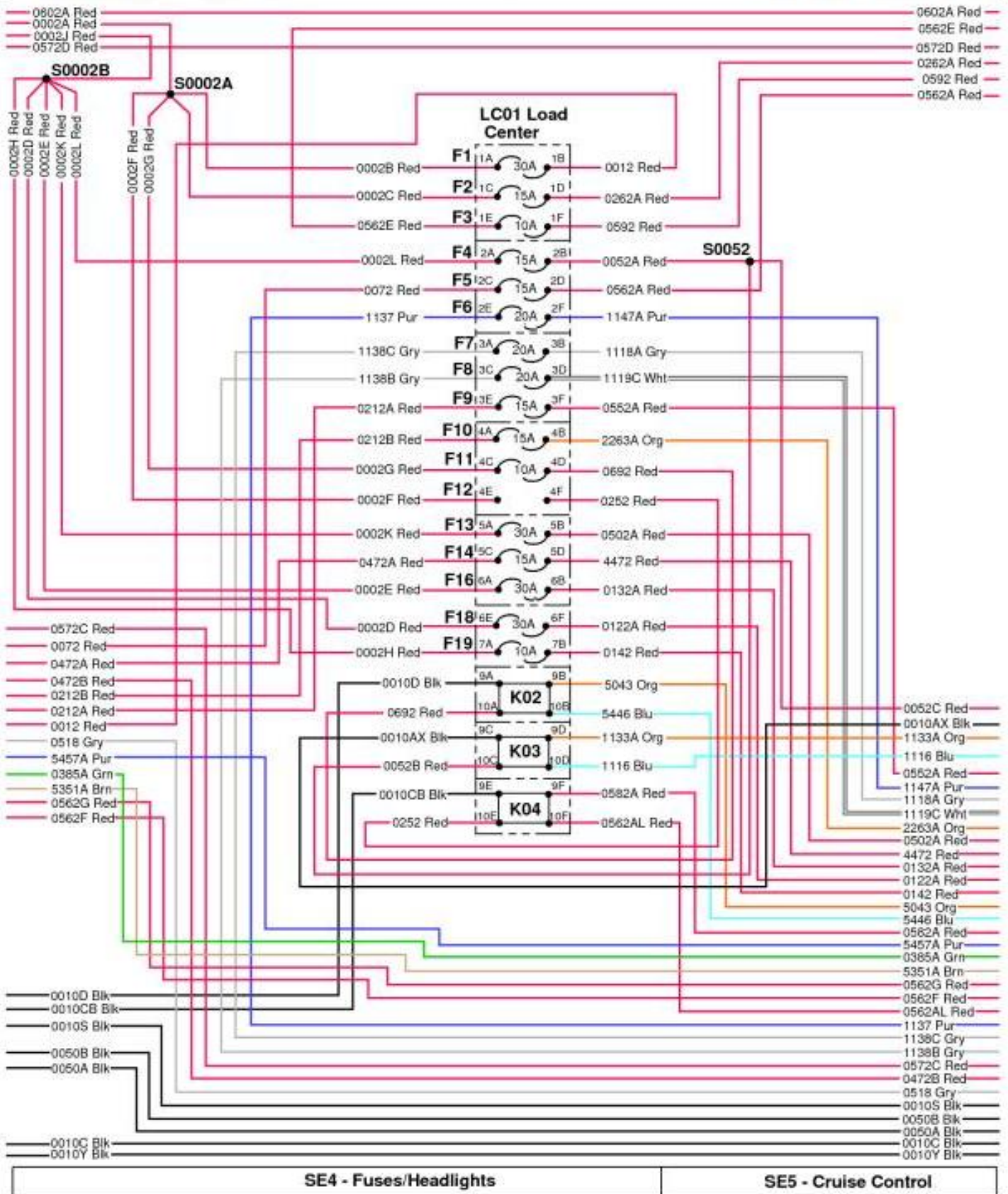
Brake Assembly



Brake Assembly

LEGEND:

- | | |
|---|--------------------------|
| A | Snap Ring (5 used) |
| B | Park Brake Arm |
| C | Spring Pin 8x50 (2 used) |
| D | Spring Pin 5x50 (2 used) |



Main Wiring Schematic Open Station (2 of 11)

LEGEND:

- F1 Fuse 30A
- F2 Fuse 15A
- F3 Service Use Only
- F4 Fuse 15A
- F5 Fuse 15A
- F6 Fuse 20A



Thank you very much
for your reading.
Please click here
to get more information.