

# John Deere X300, X304, X310, X320, X324, X340, X360 Select Series Tractor Technical Service Manual TM2308

X300, X304, X310, X320,  
X324, X340, X360 Select  
Series Tractors Diagnostic  
and Repair



## TECHNICAL MANUAL

Select Series Lawn Tractor models X300, X310, X304, X320, X324, X340, X360

TM2308 28 JAN 14 (ENGLISH)



John Deere Commercial and Consumer Equipment Lawn and Garden  
Printed by Belgreen



**Covers:** X300,X310,X304,X320,X324,X340,X360

**Type:** Service Manual

**Language:** English

**Pages:** 1177

**Format:** PDF

**Features:** Bookmarked, searchable, printable

**Compatibility:** Windows/Mac/Tablet/Mobile

This service manual contains important information for the maintenance, troubleshooting and servicing of the **John Deere X300, X304, X310, X320, X324, X340, X360 Select Series Tractor Technical Service Manual TM2308**

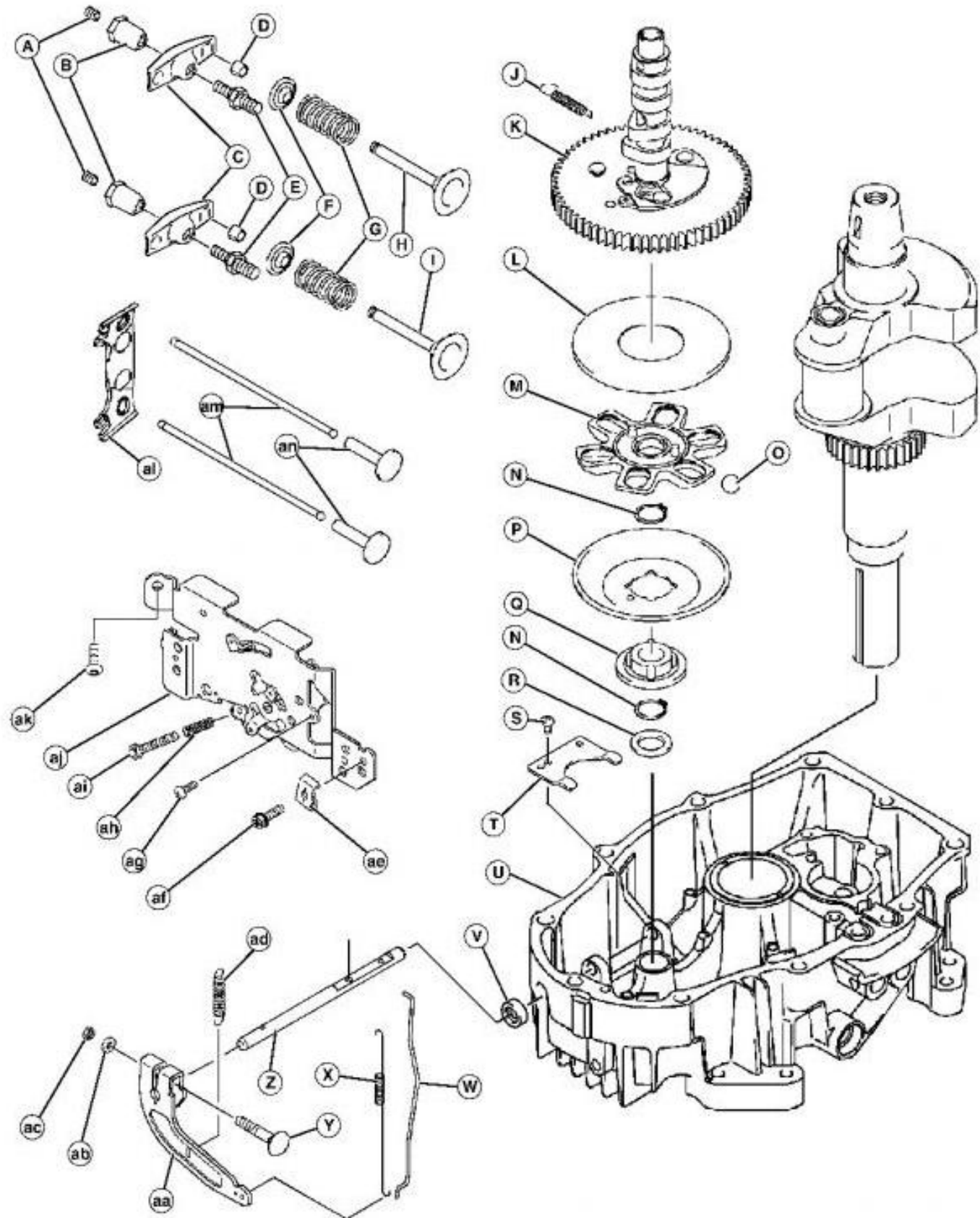
In this manual you will find detailed specifications, illustrations, schematics, diagrams and step-by-step procedures to properly service and diagnose the machine to the manufacturer's standards.

**Contents:**

- General Information
- Specifications
- Serial Number Location
- Engine Specifications
- Engine Diagnostics
- Engine Tests and Adjustments
- Engine Repair
- Power Train
- Transmission
- Axles
- Differential
- PTO
- Hydraulic System
- Electrical System
- Electrical Tests and Diagnostics
- Wiring Diagram / Schematic
- Ignition and Charging
- Steering
- Brakes
- Wheels
- Operator's Platform
- Body Panels
- Disassembly and Assembly
- Diagnostics, Tests and Adjustments
- Troubleshooting
- and much more...

Please note this manual is in **downloadable PDF format only**. If you have any questions about this product or would like to request sample pages, please contact us and reference the product name or SKU.

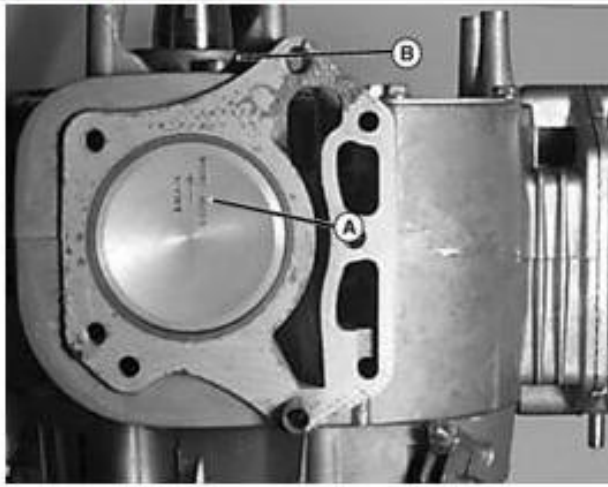
# Engine Valves and Governor



## Component Location

### LEGEND:

A	Lock Screw
B	Rocker Nut
C	Rocker Arm

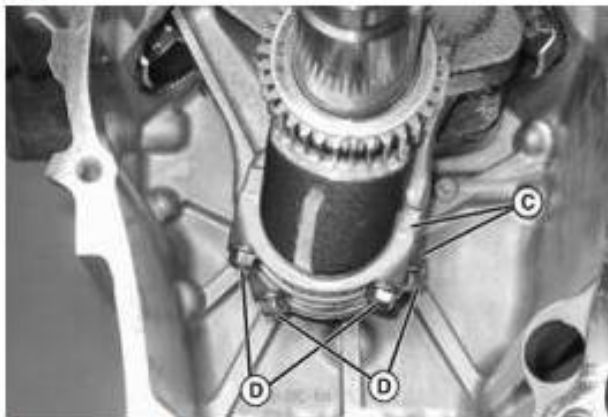
**LEGEND:**

- A Engraved Match Mark/Arrow  
B Flywheel Side

**Engraved Mark and Flywheel Side**

Install piston assembly in cylinder bore with engraved match mark/arrow (A) on piston head facing flywheel side (B) of engine.

[4] -

**LEGEND:**

- C Connecting Rod Caps  
D Cap Screws

**Connecting Rod Caps and Cap Screws**

Install connecting rod caps (C) and cap screws (D) in their original positions. Tighten cap screws to specification.

Item	Measurement	Specification
Cap Screws	Torque	5.9 N-m (52 lb-in.)

[5] - Install crankcase cover and cylinder head.

**Piston Inspection:****IMPORTANT:**

**Do not use a caustic cleaning solution or a wire brush to clean piston.**

[1] - Remove all deposits from the piston.

[2] - Clean carbon from piston ring grooves with a ring groove cleaner. If cleaning tool is not available, break an old ring and use it to carefully clean groove.

[3] - Check that oil return passages in grooves are open.

[4] - Inspect piston for scoring or fractures. Replace piston if damaged.

[5] -



Thank you very much  
for your reading.  
Please click here  
to get more information.