

# John Deere 7630 7730 7830 7930 & 2204 2WD or MFWD Tractors Service Repair Manual (TM2266)

**7630 7730 7830  
7930 & 2204  
Tractors Repair**

**REPAIR TECHNICAL MANUAL**  
**7630, 7730, 7830, 7930, 2204**  
**TM2266 02JUN11 (ENGLISH)**

For complete service information also see:

7630, 7730, 7830, 7930 & 2204 Tractors (Worldwide Edition)	TM2234
Alternators and Starting Motors	CTM77
PowerTech Plus 4.5L and 6.8L Diesel Engines Level 14 Electronic Fuel System With Denso HPCR	CTM320
Hydraulic Cylinders	TM120519
PowerTech Plus Engines Base Engine	

**PDF**



**DOWNLOAD**



John Deere Agriculture

**Covers:** 7630,7730,7830,7930,2204

**Type:** Service Manual

**Language:** English

**Pages:** 1480

**Format:** PDF

**Features:** Bookmarked, searchable, printable

**Compatibility:** Windows/Mac/Tablet/Mobile

This service manual contains important information for the maintenance, troubleshooting and servicing of the **John Deere 7630 7730 7830 7930 & 2204 2WD or MFWD Tractors Service Repair Manual (TM2266)**

In this manual you will find detailed specifications, illustrations, schematics, diagrams and step-by-step procedures to properly service and diagnose the machine to the manufacturer's standards.

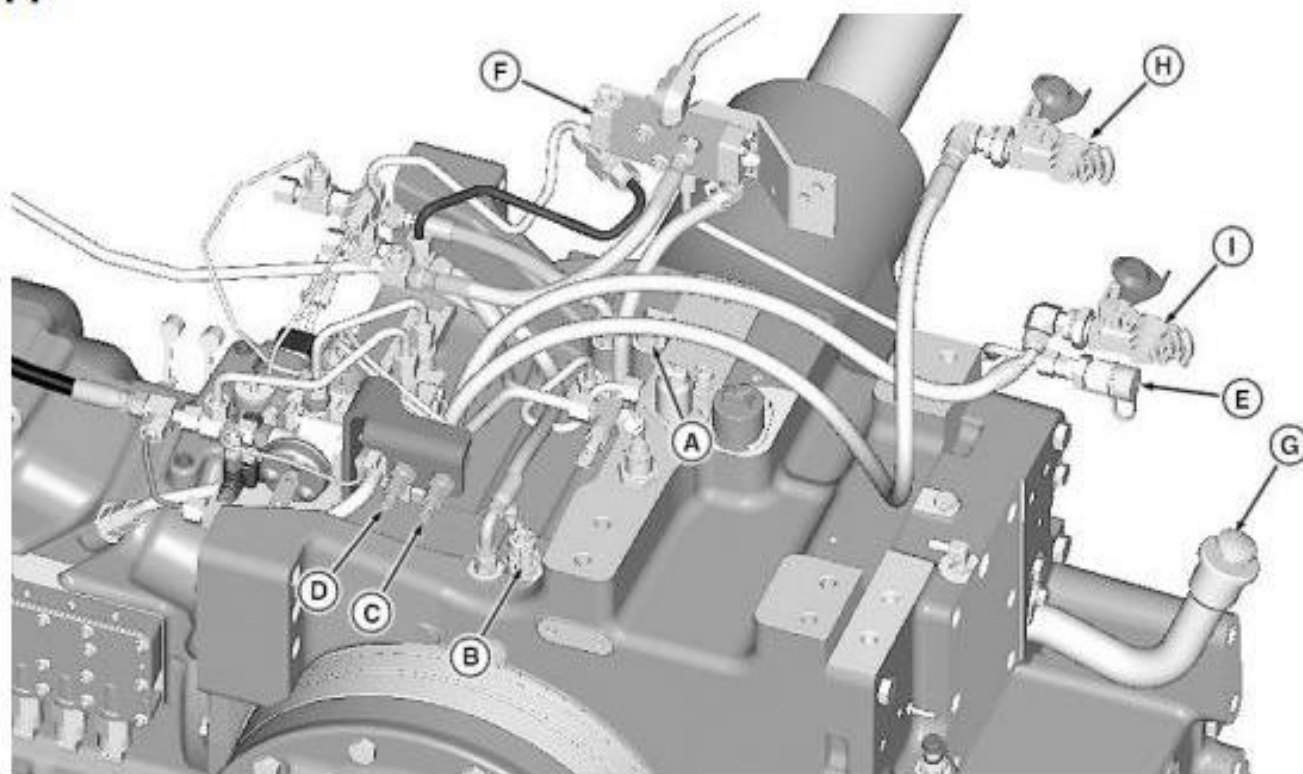
**Contents:**

- General Information
- Specifications
- Serial Number Location
- Engine Specifications
- Engine Diagnostics
- Engine Tests and Adjustments
- Engine Repair
- Power Train
- Transmission
- Axles
- Differential
- PTO
- Hydraulic System
- Electrical System
- Electrical Tests and Diagnostics
- Wiring Diagram / Schematic
- Ignition and Charging
- Steering
- Brakes
- Wheels
- Operator's Platform
- Body Panels
- Disassembly and Assembly
- Diagnostics, Tests and Adjustments
- Troubleshooting
- and much more...

Please note this manual is in **downloadable PDF format only**. If you have any questions about this product or would like to request sample pages, please contact us and reference the product name or SKU.

## Power-Assisted Brake Capacity Test

[1] -



### North America All Brake Options

#### LEGEND:

- A Right Brake Bleed DR
- B Left Brake Bleed DR
- C Right Air Control Valve Pilot Bleed DR
- D Left Air Control Valve Pilot Bleed DR
- E Hydraulic Trailer Brake Quick Coupler
- F Hydraulic Trailer Brake Valve Pilot Bleed Screw
- G Oil Filler Tube
- H Air Trailer Brake Supply Coupler
- I Air Trailer Brake Control Coupler
- J Single Line Air Trailer Brake Control Coupler

Replace drain hose on two-valve manifold on brake bleed DR's (A) and (B) with [JT07045 Hydraulic Pressure Gauge](#).

[2] - Open both valves.

[3] -



#### CAUTION:

**Prevent personal injury. Place transmission in PARK to prevent unexpected vehicle movement during bleeding procedure.**

Place transmission in PARK.

[4] - Start engine and set speed to idle.



Thank you very much  
for your reading.  
Please click here  
to get more information.