

# 4300 Series Cab Tractor Operator Instruction Book



Tractor Models Applicable:

For cab tractor models:

4315, 4320, 4325, 4335, 4345, 4355, 4360, 4365, 4370.

## Serial numbers applicable:

For tractors from 1st production.

Manufactured from 2001 onwards.

## Contents

### General Information - 3

Tractor identification.

Introduction.

Warranty, pre-delivery and installation on the farm.

Safety notes.

Safety decals.

### Controls and Instruments - 21

Controls.

Instruments.

### Operation - 47

Starting.

Running-in.

Operating the tractor.

### Maintenance and Adjustment - 101

Maintenance chart.

Recommended lubricants.

Servicing the tractor:

Greasing, checking levels and changing oil.

Adjustments - axles, brakes and wheels.

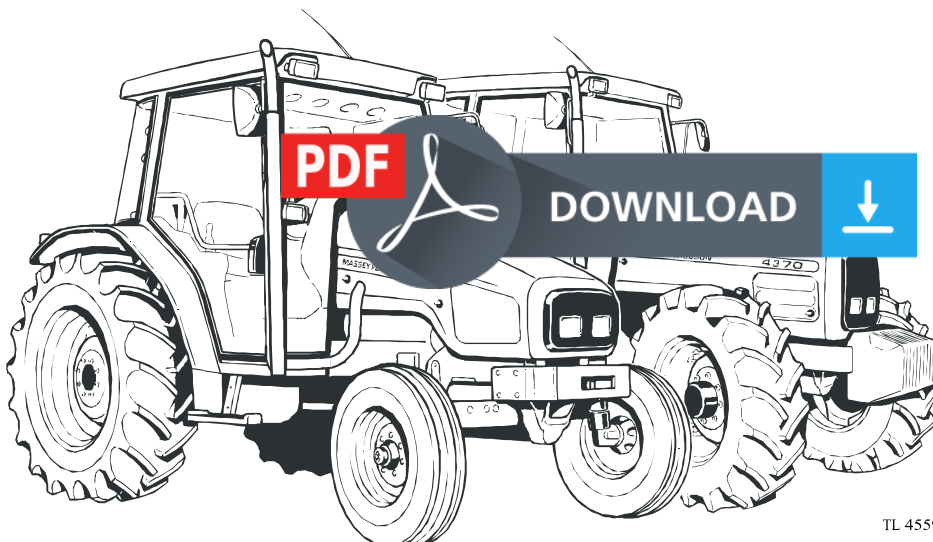
Replacements - fuses, bulbs and battery.

Fuel storage.

### Accessories - 169

### Specification - 175

### Alphabetical Index - 193



TL 4559

Published by:

AGCO Limited,

Banner Lane,

Coventry,

England CV4 9GF

August 2002

1857 311 M2

Issue 3

© AGCO Limited 2001



# Tractor Identification

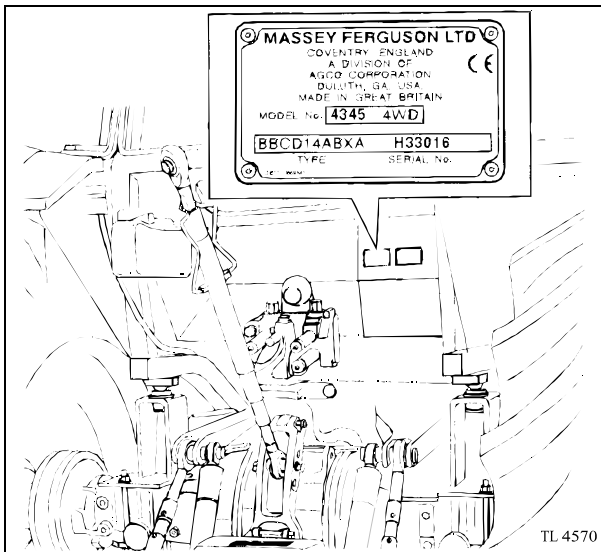


Fig. 1

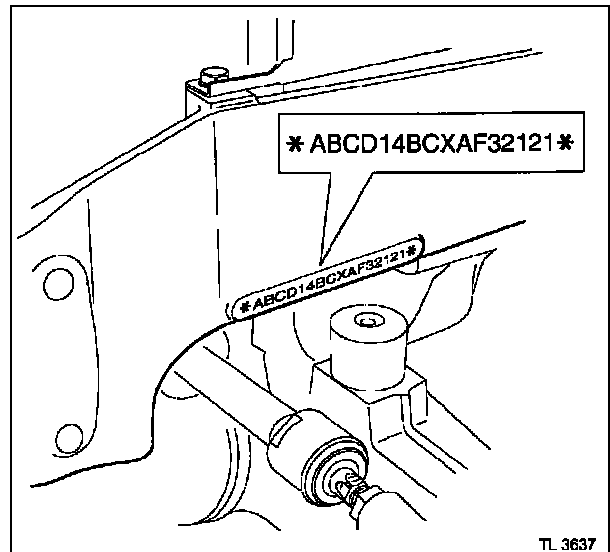


Fig. 2

## Serial Numbers

**NOTE:** Observe the serial numbers of your tractor. Always quote the serial numbers in any communication to your Massey Ferguson Dealer.

Tractor Model: .....

Tractor Serial No. (Fig. 1 and Fig. 2):  
.....

Engine Serial No. (Fig. 3): .....

Four-wheel Drive Front Axle Serial No. (Fig. 4):  
.....

Axle Type: .....

Nearest Massey Ferguson Dealer:  
.....  
.....  
.....  
.....

Phone: .....

Date of Installation on the Farm: .....

Expiration of Warranty: .....

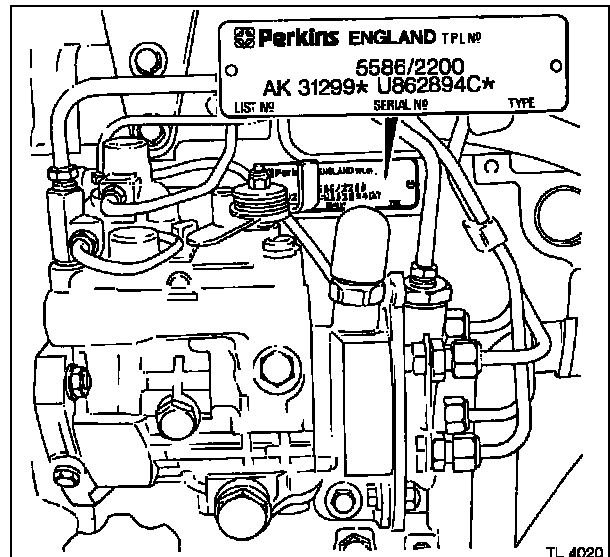


Fig. 3

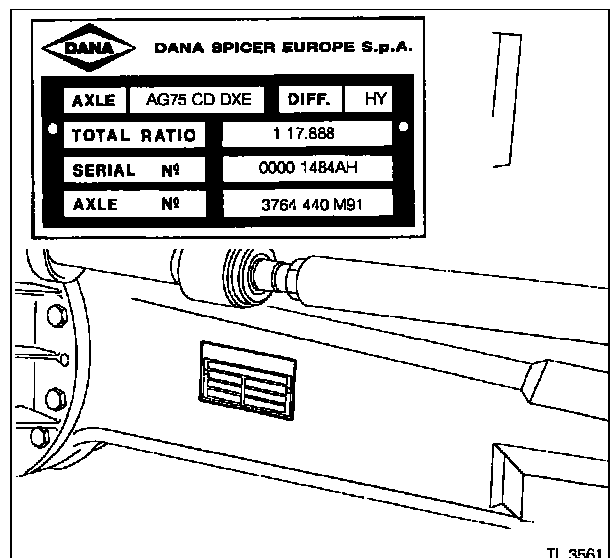


Fig. 4

This publication is written in accordance with International Standard ISO 3600 'Guide to: Information, Content, and Presentation of Operators Manuals Provided for Tractors and Machinery for Agriculture and Forestry'.



## Contents

Introduction .....	4
Pre-delivery, Installation on the Farm and Warranty .....	4
Safety .....	5
EU Declaration of Conformity.....	5
Tractor and Machine Noise.....	5
Introduction to Safety.....	6
A Word to the Operator .....	6
Follow a Safety Programme .....	7
Protective Structures .....	8
Prepare for Safe Operation.....	9
Servicing the Tractor.....	11
Starting.....	12
Work Safely .....	13
After Operation.....	18



## Introduction

**NOTE:** This book is published for worldwide distribution, and the availability of equipment shown either as basic or accessory may vary according to the territory in which the tractor is to be operated. Full details of equipment available in your area can be obtained from your Massey Ferguson Dealer. *Use only Massey Ferguson approved attachments and equipment.*

The purpose of this book is to enable the owner and driver to operate the tractor in a safe manner. Providing that the instructions are followed carefully, the tractor will give years of service in the tradition of Massey Ferguson.

The installation of the product on the farm by the Dealer gives the opportunity to ensure that these operating and maintenance instructions are understood. Always consult your Dealer if you do not understand any part of this book. It is important that these instructions are understood and observed. Daily maintenance should become a routine, and a record of hours in service should be kept.

When new parts are required it is important that only genuine Massey Ferguson service parts are used. Massey Ferguson Dealers supply genuine parts and can give advice regarding their fitment and use. Extensive damage may occur as a result of the fitment of parts of inferior quality. Customers are advised to buy their service parts only from an authorized Massey Ferguson Dealer.

Owing to wide variations in operating conditions, it is impossible for the Company to make comprehensive or definitive statements in its publications regarding performance or methods of use of its machines, or to accept liability for any loss or damage which may result from these statements, or from any errors or omissions. If the tractor is to be used for abnormal conditions which may be detrimental, (e.g. deep water or paddy fields) consult your Massey Ferguson Dealer for special instructions, or the warranty may be invalidated.

These tractors are designed solely for use in customary agricultural operations (intended use).

Use in any other way is considered as contrary to the intended use. Massey Ferguson accepts no liability for any damage or injury resulting from misuse and these risks must be borne solely by the user.

Compliance with, and strict adherence to, the conditions of operation, service and repair as specified by Massey Ferguson also constitute essential elements for the intended use.

These tractors should be operated, serviced and repaired only by persons familiar with all their particular characteristics and who are acquainted with the relevant safety rules (accident prevention).

Customers are strongly advised to use an official Massey Ferguson Dealer in connection with any service problems and adjustments that may occur.

## Pre-delivery, Installation on the Farm and Warranty

The Company, when selling new goods to their Dealers, gives a warranty which, subject to certain conditions, guarantees that the goods are free from defects in material and workmanship. Since this book is published for worldwide circulation, it is impossible to detail the exact terms and conditions of warranty that apply to a retail customer in any particular country. Purchasers of new Massey Ferguson equipment should request full details from their supplying Dealer.

In accordance with the Company's policy of continuous improvement to its machines, alterations in the specifications of machines may be made at any time without notice. The Company accepts no responsibility for discrepancies which may occur between the specifications of its machines and the descriptions thereof contained in its publications.

### Pre-delivery and Installation on the Farm

A Dealer is required to carry out certain activities when supplying a new Massey Ferguson tractor. These consist of a full pre-delivery inspection to ensure that the tractor supplied is ready for immediate use, and to give full instruction in the basic principles of operation and maintenance of the tractor. These instructions will cover instruments and controls, routine maintenance and safety precautions. All persons who will be concerned with the operation and maintenance of the machine should be present during this instruction period.

**NOTE:** Massey Ferguson will not accept responsibility for any claim resulting from the fitment of non-approved parts or attachments, or unauthorised modification or alteration.

### Warranty Procedure

Correct installation on the farm, coupled with regular maintenance, will do much to prevent breakdowns. If, however, operating trouble is experienced during the warranty period, the following procedure must be adopted:-

- Immediately notify the Dealer from whom you purchased the tractor, quoting the Model and Serial Number. It is most important that there should be no delay, and you should realise that, even where the original failure is covered by warranty, if the failure is not repaired immediately, warranty cover may not apply.
- Provide your Dealer with as much background information as you can. It will help him to know how many hours service has been achieved, the type of work on which you are engaged and the symptoms of the trouble.

It should be noted that normal maintenance services such as tuning, brake/clutch adjustments, and the supply of materials used to service the tractor (oil, filters, fuel and antifreeze) are not covered by the terms of warranty.



Thank you very much  
for your reading.  
Please click here  
to get more information.