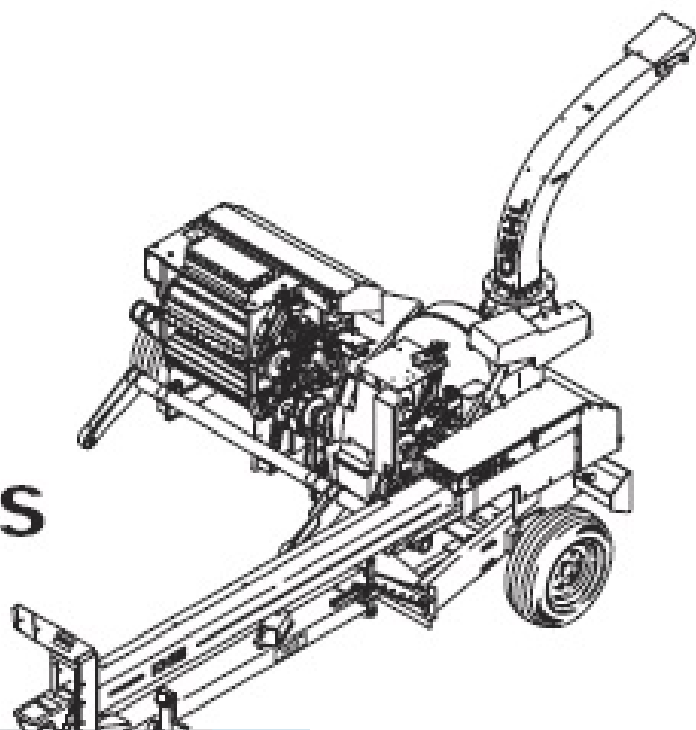


1060/1065

(1060 After SN8500
and All 1065's)

Forage Harvesters



PARTS MANUAL

Gehl 1060 / 1065 Forage Harvester Parts Manual

Download Complete Parts Manual for Gehl 1060 / 1065 Forage Harvester.

This Factory Parts Manual offers all the Parts informations for Gehl 1060 / 1065 Forage Harvester. The information on this manual covered everything you need to know when you want to Gehl 1060 / 1065 Forage Harvester.

[Click Here Preview Online](#)

Models Covered:

1060 After SN8500 and All 1065s

Form No. : 907521 Replaces 907056

Manual Covers:

Introduction

Table of Contents

Decal Locations

Frame & Attachment Lift

Tongue & Driveline

Cylinder & Cutting Mechanism

Knife Sharpener

Implement Drive

Feed Roll Drive Frame

Feed Roll (Common Parts)

Rolls, Drive & Components (Metal Detector)

Roll Arm Assemblies

Overrunning Clutch

Spinner & Drive

Blower & Drive

Toolbox

Shields & Covers  Rear

Deflector & Cap

Hydraulics

Control Box Mounting & Wiring

Metal Stop Amplifier Box

Control Box Components

Tunnel & Overload Switch

Lower Front Detector Roll

Shifter Transmission

Bevel Transmission

Spinner Transmission

Hitchjack

Hydraulic Components



Thank you very much
for your reading.
Please click here
to get more information.