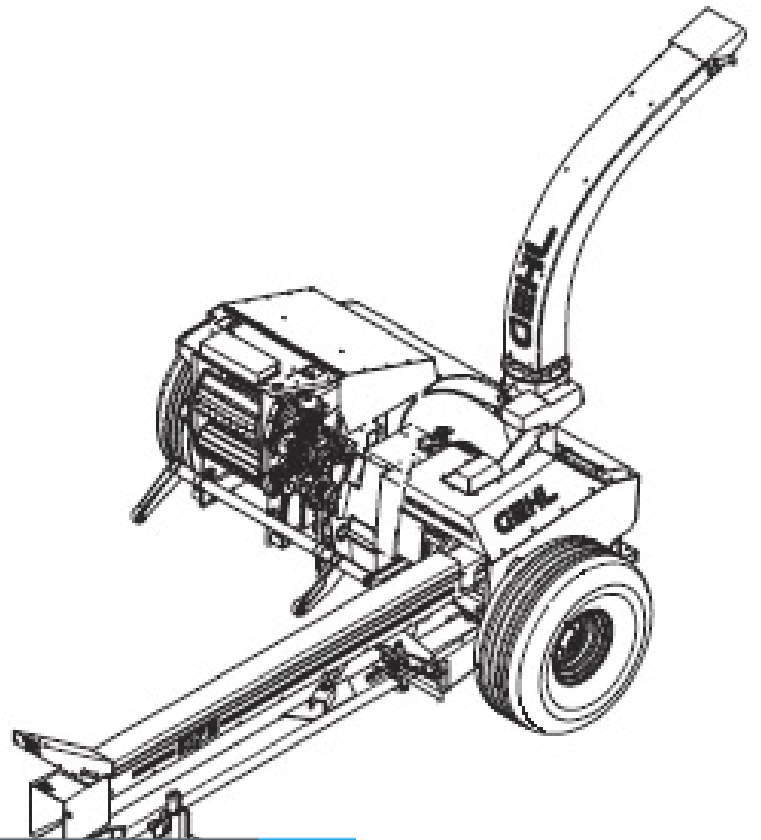


1075 Forage Harvester



PARTS MANUAL

Gehl 1075 Forage Harvester Parts Manual

Download Complete Parts Manual for Gehl 1075 Forage Harvester.

This Factory Parts Manual offers all the Parts informations for Gehl 1075 Forage Harvester. The information on this manual covered everything you need to know when you want to Gehl 1075 Forage Harvester.

[Click Here Preview Online](#)

Models Covered:

Gehl 1075 Forage Harvester

Form No. : 908044 Replaces 908019

Manual Covers:

Introduction

Table of Contents

Decal Locations

Frame & Attachment Lift

Tongue & Driveline

Cylinder & Cutting Mechanism

Knife Sharpener

Implement Drive

Feed Roll Drive Frame

Feed Roll (Common Parts)

Rolls, Drive & Components (Metal Detector)

Roll Arm Assemblies

Overrunning Clutch

Spinner & Drive

Blower & Drive

Toolbox

Shields & Covers  Rear

Deflector & Cap

Hydraulics

Control Box Mounting & Wiring

Metal Stop Amplifier Box

Control Box Components

Tunnel & Overload Switch

Lower Front Detector Roll

Shifter Transmission

Bevel Transmission

Spinner Transmission

Hitchjack

Hydraulic Components



Thank you very much
for your reading.
Please click here
to get more information.