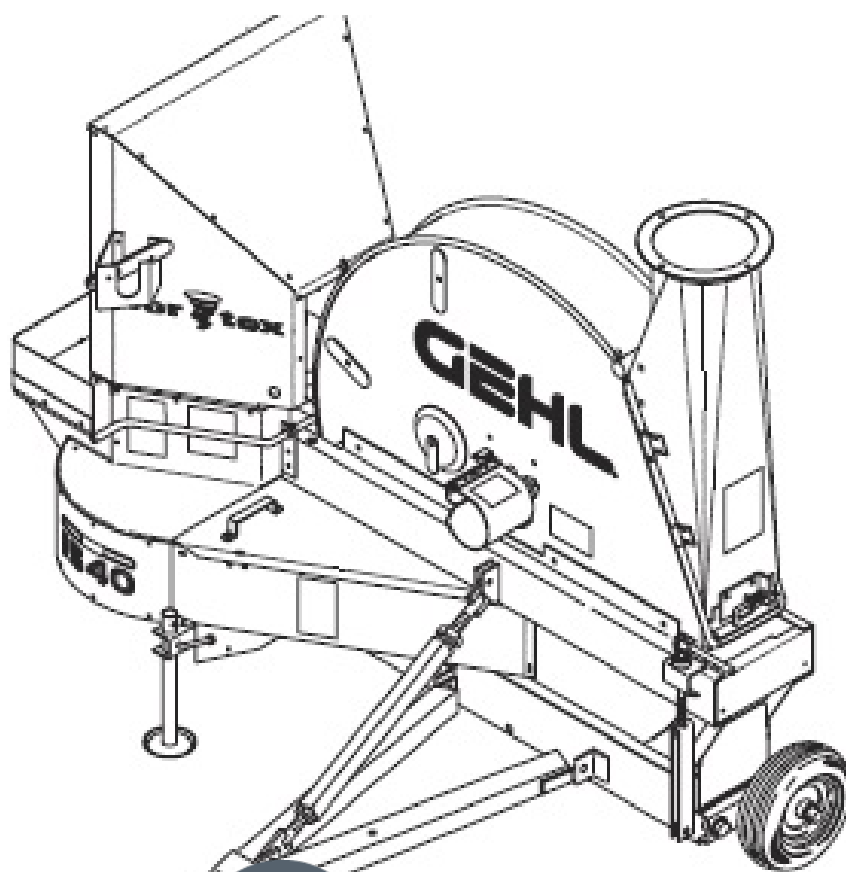


# Gehl 1540 / 1580 Forage Blowers Parts Manual



**PDF**  **DOWNLOAD** 

# PARTS MANUAL

# Gehl 1540 / 1580 Forage Blowers Parts Manual

Download Complete Service Parts Manual for Gehl 1540 / 1580 Forage Blowers.

This Factory Service Parts Manual offers all the Parts informations for Gehl 1540 / 1580 Forage Blowers. The information on this manual covered everything you need to know when you want to Gehl 1540 / 1580 Forage Blowers.

[Click Here Preview Online](#)

Models Covered:

Gehl 1540 / 1580 Forage Blowers

Form No. : 907570 Replaces 904412

Manual Covers:

Introduction

Table Of Contents

Decal Locations

Spinner Bearings After SN23900-1540 & SN7700-1580

Spinner Bearings Before SN23901-1540 & SN7701-1580

Spinner Drive

Fan Assembly, Housing & Outlet

Frame & Wheels

Spinner Emergency Shutoff Control

Spinner Inlet

Hopper Inlet & Belt Cover

Hopper & Spinner Covers

Optional Equipment

Index

Numerical Index

Standard Hardware Torque Specifications

This manual can be used by anyone from a first time owner/amateur to a professional technician. Even the most novice mechanic can also easily follow the step-by-step guides which are made simple by the illustrations and drawings. Keep this manual handy and use it often.

Performing routine, preventive maintenance will save you time & money by helping to prevent premature failure and unnecessary repairs.

You will receive a download link immediately after your payment is completed. So please make sure your email address is correct.

File Format: [data-filtered="filtered">Compatible: All Versions of Windows &](#)

[data-filtered="filtered">Language: English](#)



Thank you very much  
for your reading.  
Please click here  
to get more information.