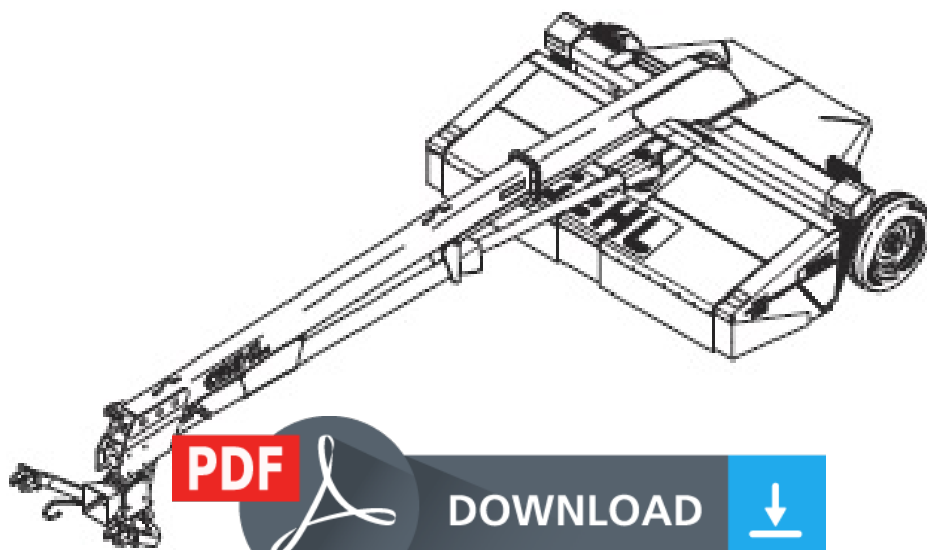


# Disc Mower Conditioner **2412**



**PDF**  **DOWNLOAD** 

## **PARTS MANUAL**

# Gehl 2412 Disc Mower Conditioner Parts Manual

Download Complete Service Parts Manual for Gehl 2412 Disc Mower Conditioner.

This Factory Service Parts Manual offers all the Parts informations for Gehl 2412 Disc Mower Conditioner. The information on this manual covered everything you need to know when you want to Gehl 2412 Disc Mower Conditioner.

[Click Here Preview Online](#)

Models Covered:

Gehl 2412 Disc Mower Conditioner  
Form No. : 908152 Replaces 908140

Manual Covers:

Introduction

Table of Contents

Decal Locations

Rear Tongue Assembly

Tongue Assembly (2-Point Hitch)

Tongue Assembly (Drawbar Hitch)

Drawbar & Tower Shields

Tower, Hitch & Hitchjack

Cutterbar

Cutterbar & Discs

Cutterbar & Skid Shoes

Gearbox Mounting

Roll Tension System

Roller Drive (After SN11500)

Roller Drive (Before SN11501)

Rollers & Roller Bearings (Left)

Rollers & Roller Bearings (Right)

Trailer Assembly (After SN10500)

Trailer Assembly (Before SN10501)

Header to Trailer Assembly

Forming Chamber

Shields & Covers

Deflector

Curtains

Hydraulics

Electrical

Axles & Wheels

Component Breakdowns

This manual can be used by anyone from a first time owner/amateur to a professional



Thank you very much  
for your reading.  
Please click here  
to get more information.