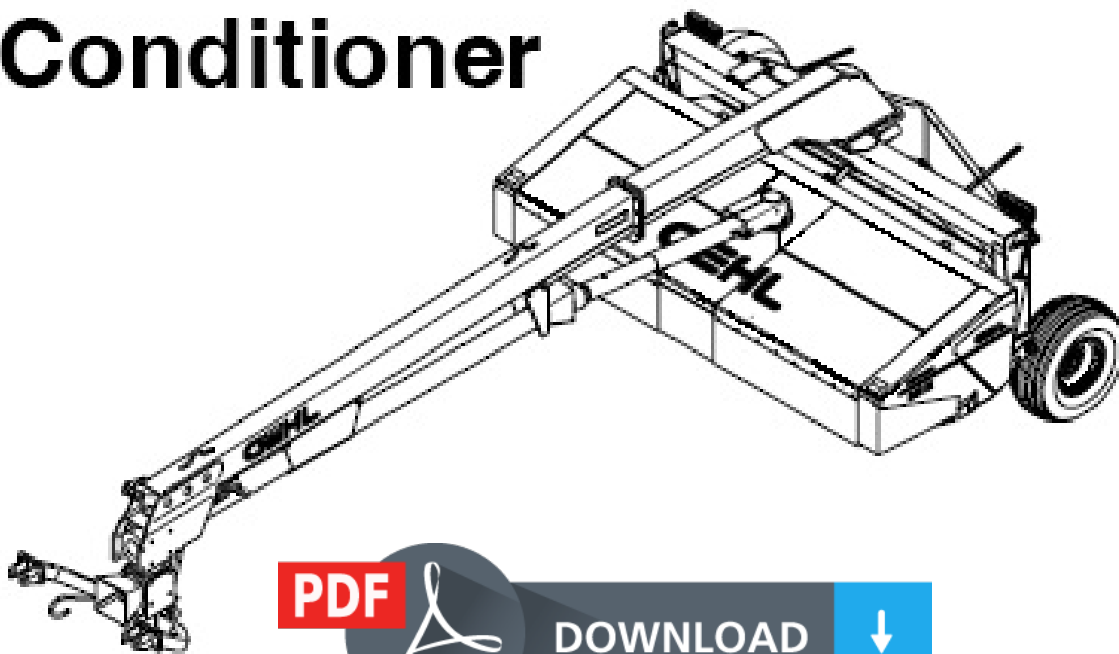


Impeller Disc Mower Conditioner

2512



PDF



DOWNLOAD



PARTS MANUAL

Gehl 2512 Impeller Disc Mower Conditioner Parts Manual

Download Complete Service Parts Manual for Gehl 2512 Impeller Disc Mower Conditioner. This Factory Service Parts Manual offers all the Parts informations for Gehl 2512 Impeller Disc Mower Conditioner. The information on this manual covered everything you need to know when you want to Gehl 2512 Impeller Disc Mower Conditioner.

[Click Here Preview Online](#)

Models Covered:

Gehl 2512 Impeller Disc Mower Conditioner

Form No. : 909872 Revision C

Manual Covers:

Introduction

Table of Contents

Decal Locations

Rear Tongue Assembly

Tongue Assembly (2-Point Hitch)

Tongue Assembly (Drawbar Hitch)

Cutterbar

Cutterbar, Discs & Skid Shoes

Gearbox Mounting

Impeller Drive

Trailer to Header Assembly

Trailer Assembly

Forming Chamber

Shields & Covers

Curtains

Hubs & Wheels


Hydraulics

Electrical

Deflector & Hood

Component Breakdowns

Options & Accessories

Service Kits  Electrical Connectors

Alphabetical Index

Numerical Index

Hydraulic Fitting Data

Standard Hardware Torque specifications

This manual can be used by anyone from a first time owner/amateur to a professional technician. Even the most novice mechanic can also easily follow the step-by-step guides which are made simple by the illustrations and drawings. Keep this manual handy and use it often.



Thank you very much
for your reading.
Please click here
to get more information.