

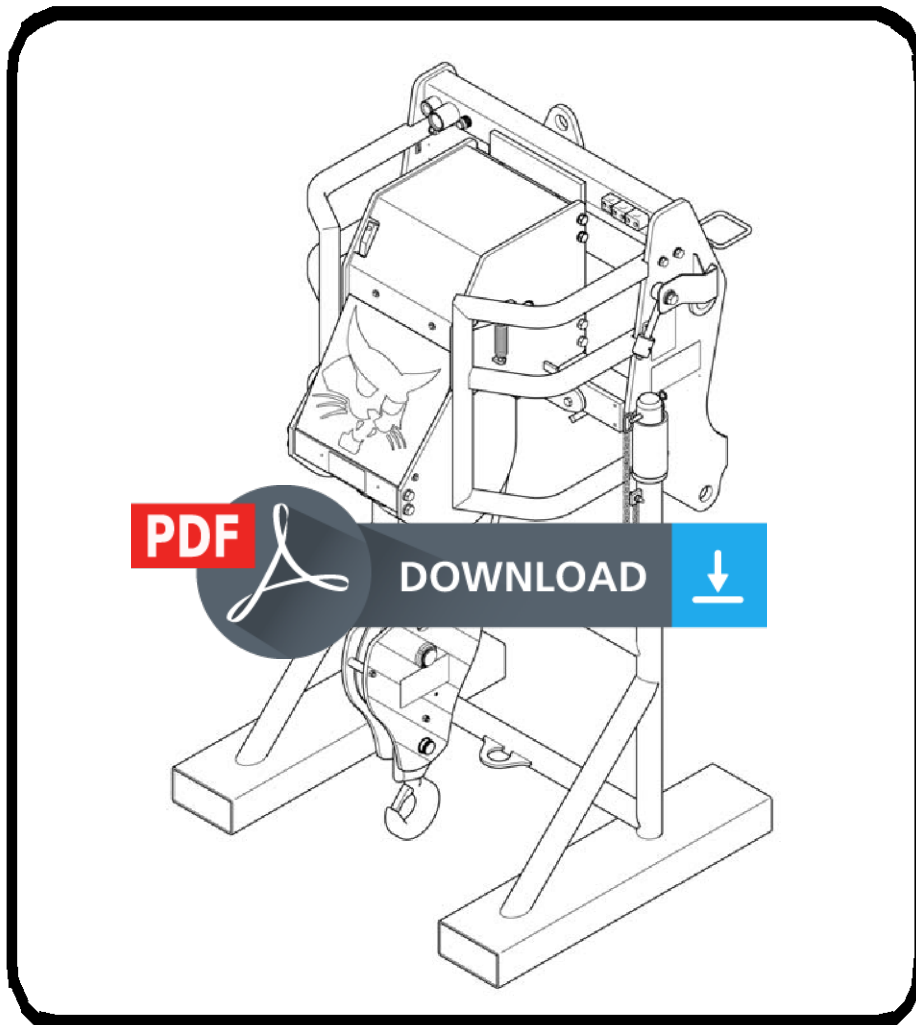


Bobcat®

EN

Operation & Maintenance Manual Hoisting Winch

***Winch Hoist 4.1T: S/N AK3D00101 & Above
Winch Hoist 3.5T: S/N AK3E00101 & Above***



OPERATOR SAFETY WARNINGS

WARNING

Operator must have instructions before operating the machine. Untrained operators can cause injury or death.

W-2001-0502

Safety Alert Symbol: This symbol with a warning statement, means: "Warning, be alert! Your safety is involved!" Carefully read the message that follows.

CORRECT

P-90216

Never operate without instructions. See machine signs (decals) and Operation & Maintenance Manual.

CORRECT

B-16074

Always fasten seat belt snugly.

Always keep your feet and arms inside the cab.

CORRECT

B-16077

Never use telescopic handler without operator cab with ROPS and FOPS approval.

WRONG

B-21518

Never carry passengers.

Use only an approved work platform.

WRONG

B-16070

Do not use machine in atmosphere with explosive dust, explosive gas, or where exhaust can contact flammable material.

WRONG

B-16073

Check for overhead or underground power lines before operating.

Keep boom, attachment, and load a minimum of 3 m (10 ft) away from electrical power lines.

WRONG

B-16069

Always carry bucket or attachments as low as possible.

Do not travel or turn with boom up.

Load, unload, and turn on flat level ground.

WRONG

B-16071

Never exceed Rated Load Capacity.

Read and understand the Load Capacity Charts.

WRONG

B-16075

Never leave the machine with engine running or with boom raised.

To park, put transmission in neutral, engage parking brake, and put attachment flat on the ground.

WRONG

B-16072

Never modify equipment.

Use only attachments approved by Bobcat Company for this model telescopic handler.

SAFETY EQUIPMENT

The Bobcat telescopic handler must be equipped with safety items necessary for each job. Ask your dealer for information on the safe use of attachments and accessories.

1. **SEAT BELT:** Check belt fasteners and check for damaged webbing or buckle.
2. **OPERATOR CAB (ROPS and FOPS):** It must be on the telescopic handler with all fasteners tight. Never operate without right window.
3. **SAFETY SIGNS (DECALS):** Replace if damaged.
4. **SAFETY TREADS:** Replace if damaged.
5. **GRAB HANDLES:** Replace if damaged.
6. **BOOM STOP (if equipped):** Replace if damaged.
7. **PARKING BRAKE:** Check for function.
8. **WINDOWS AND MIRRORS:** Clean and check for broken glass or mirrors. Replace if damaged.



Bobcat®

CONTENTS

FOREWORD	5
SAFETY & TRAINING RESOURCES	15
OPERATING INSTRUCTIONS	25
PREVENTIVE MAINTENANCE	57
SPECIFICATIONS	71
WARRANTY	77
ALPHABETICAL INDEX	81

REFERENCE INFORMATION

Write the correct information for YOUR Bobcat attachment in the spaces below. Always use these numbers when referring to your Bobcat attachment.

Attachment Serial Number _____

NOTES:

YOUR BOBCAT DEALER:

ADDRESS:

PHONE:



Bobcat Company
P.O. Box 128
Gwinner, ND 58040-0128
UNITED STATES OF AMERICA

Doosan Benelux SA
Drève Richelle 167
B-1410 WATERLOO
BELGIUM



Thank you very much
for your reading.
Please click here
to get more information.