

**Vibratory
Roller
48 Inch
72 Inch**



Bobcat®

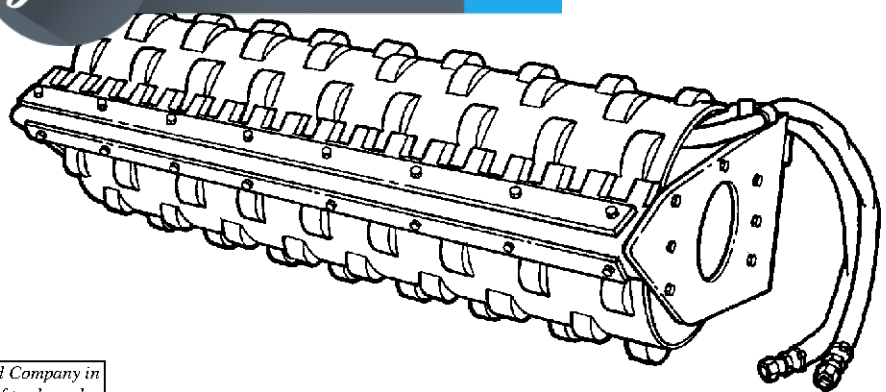
Operation & Maintenance Manual

(48 Inch) S/N 802900101 & Above
(48 Inch) S/N 803400101 & Above
(48 Inch) S/N 054800101 & Above
(48 Inch) S/N 063100101 & Above
(72 Inch) S/N 054900101 & Above
(72 Inch) S/N 063200101 & Above

PDF



DOWNLOAD



Doosan purchased Bobcat Company from Ingersoll-Rand Company in 2007. Any reference to Ingersoll-Rand Company or use of trademarks, service marks, logos, or other proprietary identifying marks belonging to Ingersoll-Rand Company in this manual is historical or nominative in nature, and is not meant to suggest a current affiliation between Ingersoll-Rand Company and Bobcat Company or the products of either.



Printed in U.S.A.

CONTENTS

FOREWORD..... V
SAFETYIX
OPERATING INSTRUCTIONSOI-1
PREVENTIVE MAINTENANCE PM-1
SPECIFICATIONS..... SPEC-1

REFERENCE INFORMATION

Write the correct information for YOUR Vibratory Roller Attachment in the spaces below. Always use these numbers when referring to your Vibratory Roller.

Vibratory Roller Serial Number

NOTES:

YOUR BOBCAT® DEALER:

ADDRESS:

Bobcat Company
P.O. Box 128
Gwinner, ND 58040-0128

Bobcat Company Europe
Drève Richelle 167
B-1410 WATERLOO
Belgium

FOREWORD

SAFETY

**OPERATING
INSTRUCTIONS**

**PREVENTIVE
MAINTENANCE**

SPECIFICATIONS



BOBCAT COMPANY IS ISO 9001:2000 CERTIFIED



ISO 9001:2000 is a set of international standards that control the processes and procedures which we use to design, develop, manufacture, distribute, and service Bobcat products.

British Standards Institute (**BSI**) is the Certified Registrar Bobcat chose to assess the Company's compliance with the ISO 9001:2000 set of standards. The BSI registration certifies that the two Bobcat manufacturing plants and the Bobcat corporate offices (Gwinner, Bismarck & West Fargo) in North Dakota are in compliance with ISO 9001:2000. Only certified assessors, like BSI, can grant registrations. Continued certification is subject to periodic audits.

ISO 9001:2000 means that as a company we say what we do and do what we say. In other words, we have established procedures and policies, and we provide evidence that the procedures and policies are followed.



Thank you very much
for your reading.
Please click here
to get more information.