



# 970-1070 Tractors



# TABLE OF CONTENTS

## 970-1070 TRACTORS

SERIES	SECTION	DESCRIPTION	FORM NUMBER
10	<b>GENERAL</b>		
	11	General Specifications 970 Tractor .....	9-79262
	11	General Specifications 1070 Tractor .....	9-79272
	12	Detailed Specifications .....	9-79282
	13	Lubrication 970 Tractor .....	9-79211
20	13	Lubrication 1070 Tractor .....	9-79221
	<b>ENGINES</b>		
	22	Cylinder Head and Valves (Diesel) .....	9-78822
	22	Cylinder Head and Valves (Spark Ignition) .....	9-78842
	23	Engine Block Assemblies .....	9-78932
	24	Air Intake System .....	9-78721
30	25	Cooling System - Engine Oil Filter .....	9-78892
	26	Governor (Spark Ignition) 970 Tractor .....	9-79411
	<b>FUEL SYSTEMS</b>		
	31	Fuel Filters .....	9-79431
40	31	Fuel Tank .....	9-79751
	32	Fuel Injection Pump (Diesel) .....	9-79451
	33	Fuel Injectors - Roosa Master (Diesel) .....	9-79461
	35	Carburetor (Spark Ignition) 970 Tractor .....	9-79491
	<b>HYDRAULICS</b>		
50	42	Hydraulic Oil Filters .....	9-79112
	43	Dual Hydraulic Pump .....	9-79082
	44	Dual Remote Valve .....	9-79032
	44	Case Flow Divider - PTO Control Valve .....	9-79192
	45	Draft-O-Matic System .....	9-79122
	46	Remote Cylinders and Couplings .....	9-78982
60	<b>STEERING</b>		
	52	Steering Column and Hand Pump .....	9-78852
	53	Steering Control Valves .....	9-78832
	54	Steering Actuator .....	9-78782
70	55	Steering Axle .....	9-78772
	<b>POWER TRAIN</b>		
	62	Power Shift Transmission .....	9-79072
	64	Single Reduction Final Drive and Transmission .....	9-78962
	65	Hydraulic PTO .....	9-79172
80	66	14" - 15" Traction Clutches and Pedals .....	9-78972
	<b>BRAKES</b>		
	72	Hydraulic Master Brake Cylinder and Pedals .....	9-78912
90	73	Power Assist Unit and Pedals .....	9-78922
	74	Differential and Parking Brakes .....	9-78902
100	<b>ELECTRICAL</b>		
	81	Wiring Diagrams (Diesel) .....	9-79292
100	81	Wiring Diagram (Spark Ignition) .....	9-79302
	<b>HOW IT WORKS-TROUBLE SHOOTING</b>		
	101	Hydraulic Testing - (Steering-Power Brakes) .....	9-79821
	111	Hydraulic Testing - (Power Shift - Dual Remotes PTO Clutch) .....	9-79831
	141	Hydraulic System .....	9-79691
	141	Dual Pump - Flow Divider Valve .....	9-79182
	141	Dual Remote Hydraulic System .....	9-79022
	141	Draft-O-Matic Hydraulic System .....	9-79042
	151	Power Steering Power Brakes .....	9-79162
	161	Power Shift Transmission .....	9-79232
161	Hydraulic PTO .....	9-79242	

# Section

# 11

## GENERAL SPECIFICATIONS 970 TRACTORS

### SERIAL NUMBERS

The Model and Serial Numbers are stamped on a plate located on the outside and to the lower left hand side of the firewall assembly, Figure 1. The Engine Number is stamped on a plate located to the rear right hand side of the engine block, Figure 2. The Transmission Serial Number is stamped on a plate located on the right hand side of the transmission in front of the brake housing, Figure 3.

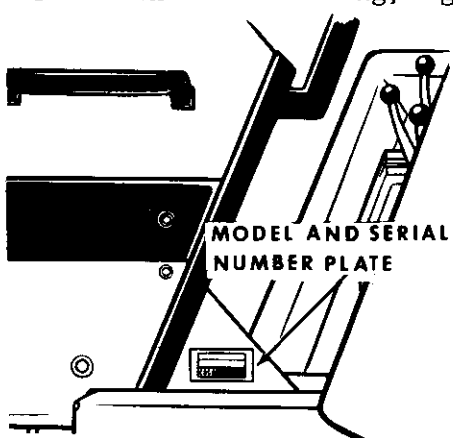


Figure 1

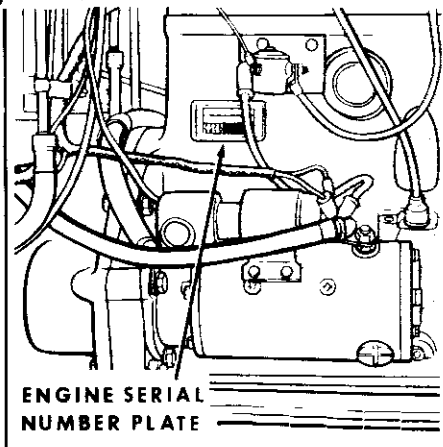


Figure 2

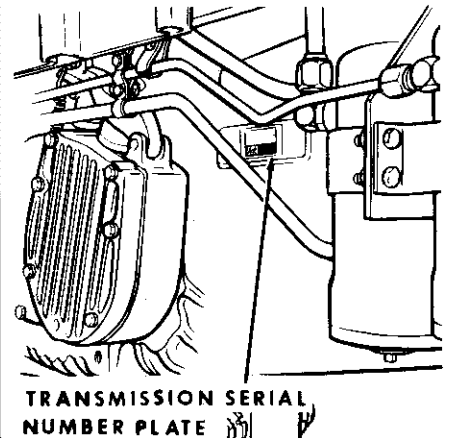


Figure 3

### DIESEL ENGINES

#### General

Type . . . . .	6 Cylinder, 4 Stroke Cycle, Valve-in-Head.
Firing Order . . . . .	1-5-3-6-2-4
Bore . . . . .	4-1/8 Inches
Stroke . . . . .	5 Inches
Piston Displacement. . . . .	401 Cubic Inches
Compression Ratio . . . . .	16.5 to 1
Cylinder Sleeves . . . . .	Removable Wet Type
No Load Governed Speed . . . . .	2040 RPM
Rated Engine Speed . . . . .	1900 RPM
Engine Idling Speed . . . . .	725 RPM
*Valve Tappet Clearance (Exhaust) . . . . .	(Hot) .020 Inch (Cold) .025 Inch
(Intake) . . . . .	(Hot and Cold) .015 Inch

\*Hot Settings Are Made After the Engine Has Operated At Thermostat Controlled Temperature For At Least Fifteen Minutes.



Thank you very much  
for your reading.  
Please click here  
to get more information.