

1984 Honda Nighthawk CB750SC Motorcycle Service Repair Workshop Manual

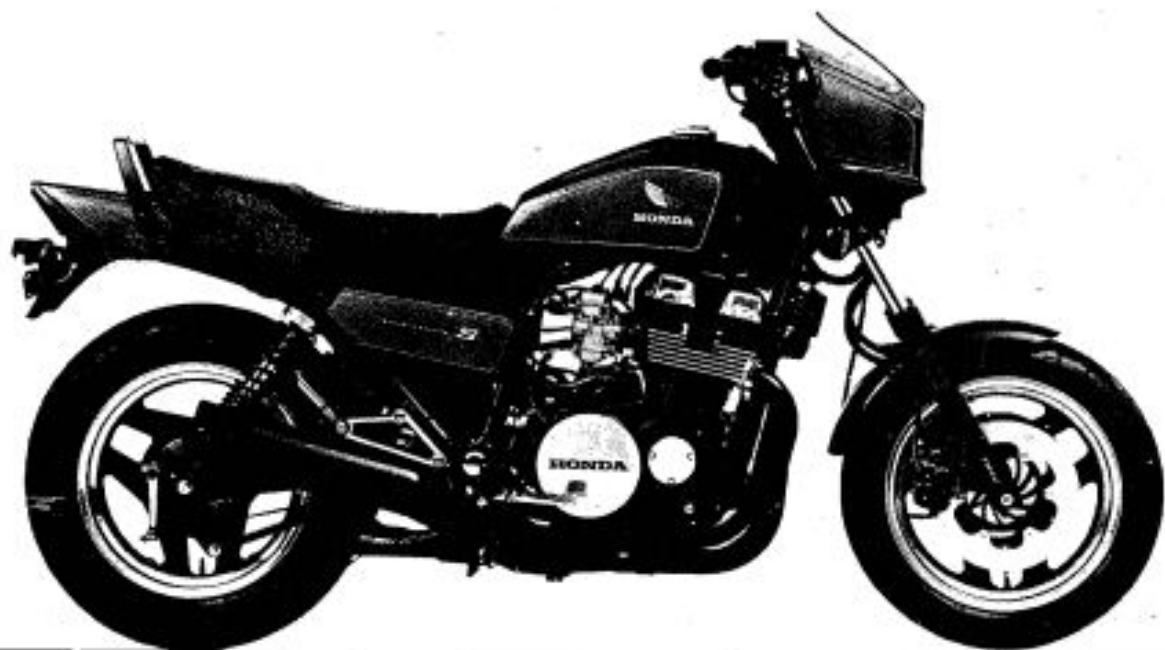


HONDA

Don Murphy Level 3

SHOP MANUAL NIGHTHAWK CB750SC

*Michelle
Dion*



PART NO.-HM 1074

1984

NIGHTHAWK CB750SC



HOW TO USE THIS MANUAL

Follow the Maintenance Schedule (Section 3) recommendations to ensure that the vehicle is in peak operating condition and the emission levels are within the standards set by the U.S. Environmental Protection Agency. Performing the first scheduled maintenance is very important. It compensates for the initial wear that occurs during the break-in period.

Sections 1 through 3 apply to the whole motorcycle, while sections 4 through 21 describe parts of the motorcycle, grouped according to location.

Find the section you want on this page, then turn to the table of contents on page 1 of that section.

Most sections start with an assembly or system illustration, service information and troubleshooting for the section. The subsequent pages give detailed procedures.

If you are not familiar with this motorcycle, read the Technical Features in section 23.

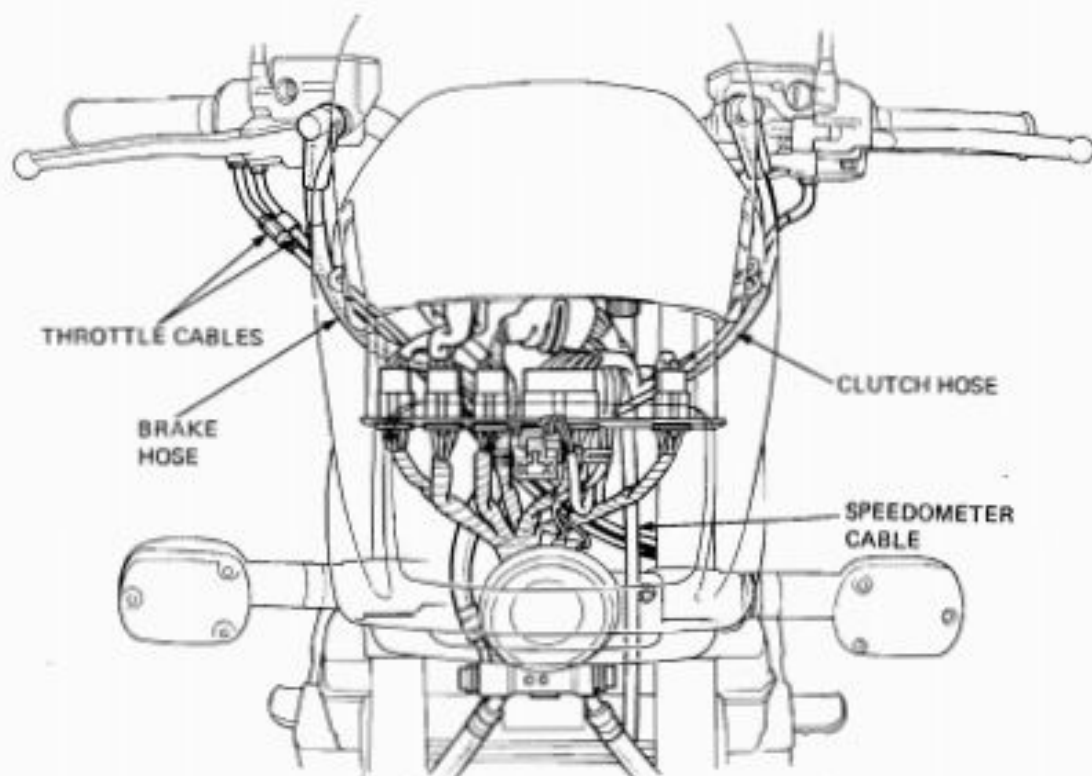
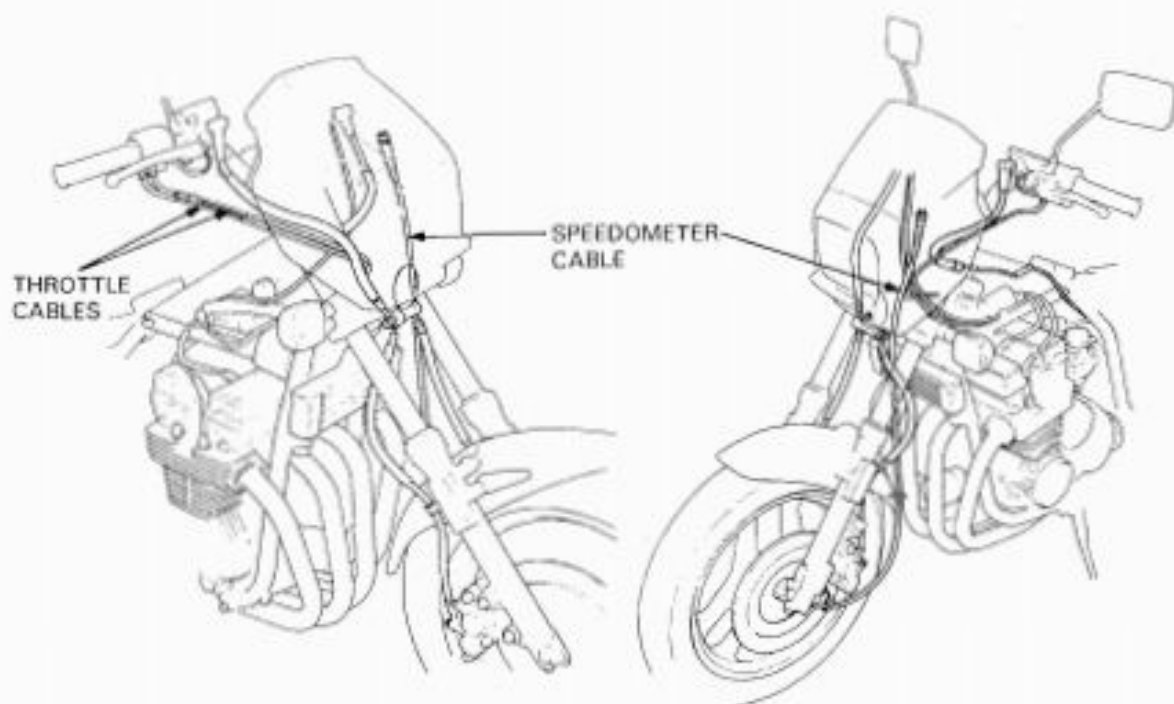
If you don't know the source of the trouble, go to section 24, Troubleshooting.

All information, illustrations, directions and specifications included in this publication are based on the latest product information available at the time of approval for printing. HONDA MOTOR CO., LTD. reserves the right to make changes at any time without notice and without incurring any obligation whatever. No part of this publication may be reproduced without written permission.

HONDA MOTOR CO., LTD.
Service Publications Office

CONTENTS

	GENERAL INFORMATION	1
	LUBRICATION	2
	MAINTENANCE	3
ENGINE	FUEL SYSTEM	4
	ENGINE REMOVAL/INSTALLATION	5
	CYLINDER HEAD/VALVES	6
	CYLINDER/PISTON	7
	CLUTCH	8
	GEAR SHIFT LINKAGE	9
	CRANKCASE	10
	TRANSMISSION	11
	CRANKSHAFT/STARTER CLUTCH	12
	CHASSIS	FINAL DRIVE
FRONT WHEEL/SUSPENSION		14
REAR WHEEL/SUSPENSION/BRAKE		15
HYDRAULIC BRAKE		16
MUFFLER/REAR FENDER		17
ELECTRICAL	BATTERY/CHARGING SYSTEM	18
	IGNITION SYSTEM	19
	ELECTRIC STARTER	20
	LIGHTS/INSTRUMENTS/SWITCHES	21
	WIRING DIAGRAM	22
	TECHNICAL FEATURES	23
	TROUBLESHOOTING	24





Thank you very much
for your reading.
Please click here
to get more information.