

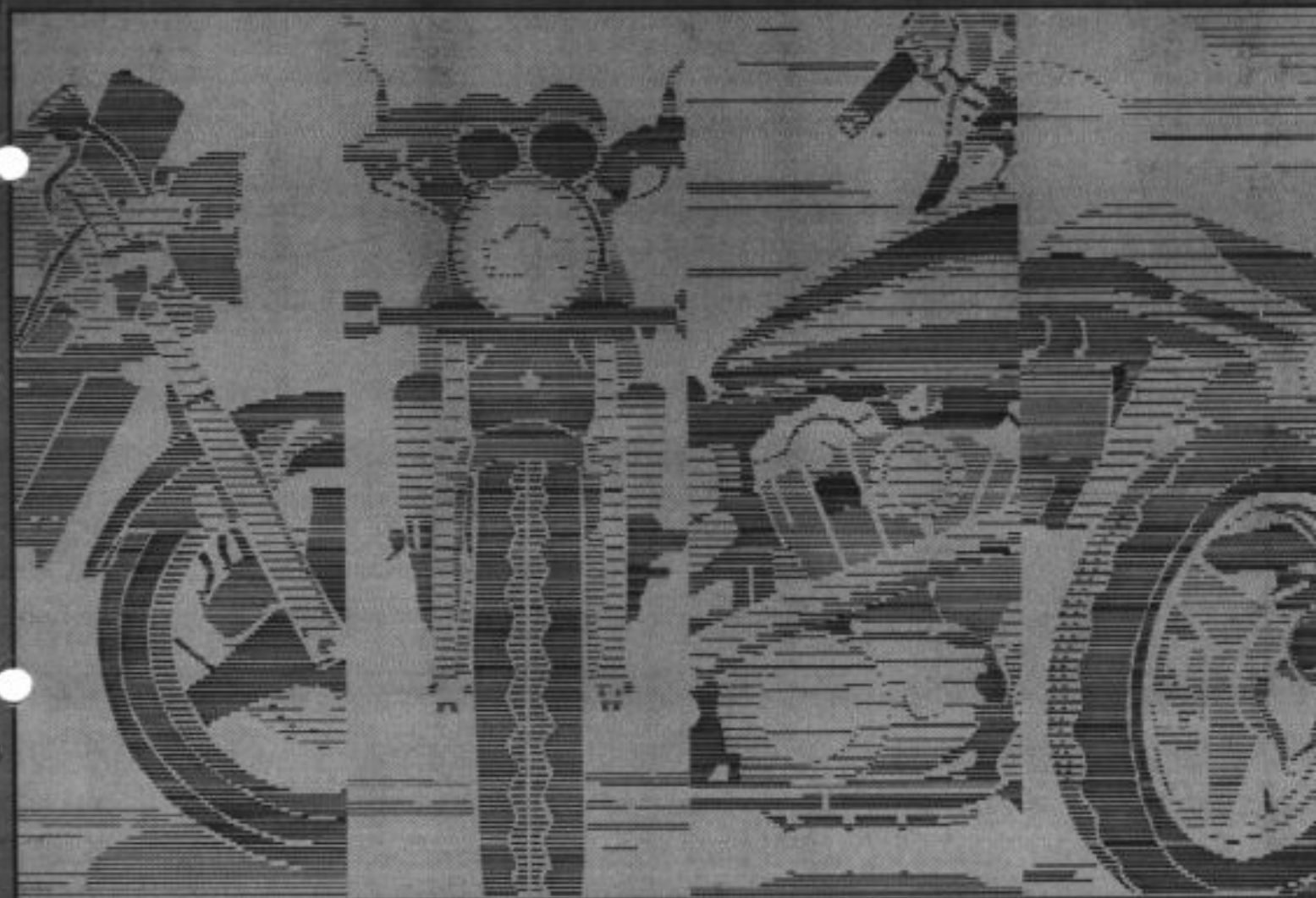
# 1989 Honda CB400F, CB-1 Motorcycle Service Repair Workshop Manual



**PDF**  **DOWNLOAD** 

# HONDA

## SERVICE MANUAL



**89**

**CB400F**

**CB-1**

# INTRODUCTION

This service manual describes the service procedures for the CB400F.

This Model Specific Manual includes every service procedure that is of a specific nature to this particular model. Basic service procedures that are common to other Honda Motorcycles/Motor Scooters Common Service Manual. This Model Specific Service Manual should be used together with the Common Service Manual in order to provide complete service information on all aspects of this motorcycle.

Follow the Maintenance Schedule (Section 3) recommendations to ensure that the vehicle is in peak operating condition and the emission levels are within the standards set by the U.S. Environmental Protection Agency and the California Air Resources Board.

Performing the first scheduled maintenance is very important. It compensates for the initial wear that occurs during the break-in period.

Section 1 and 3 apply to the whole motorcycle, section 2 illustrates procedures for removal/installation of components that may be required to perform service described in the following sections.

While section 4 through 18 describe parts of the motorcycle, grouped according to locations.

Find the section you want on this page, then turn to the table of contents on the first page of the section.

Most sections describe the service procedure through a system illustration. Refer to the next page for details on how to use this manual.

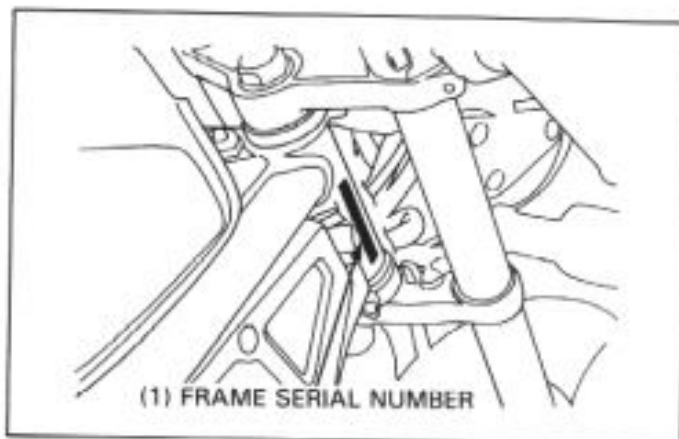
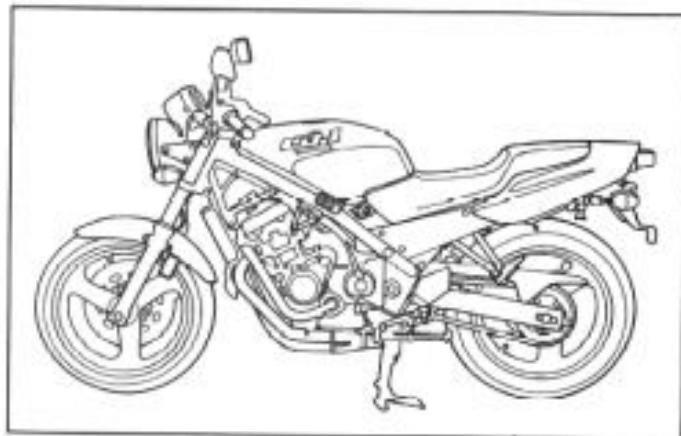
If you don't know the source of the trouble, go to section 19, TROUBLESHOOTING.

ALL INFORMATION, ILLUSTRATIONS, DIRECTIONS AND SPECIFICATIONS INCLUDED IN THIS PUBLICATION ARE BASED ON THE LATEST PRODUCT INFORMATION AVAILABLE AT THE TIME OF APPROVAL FOR PRINTING. HONDA MOTOR CO., LTD. RESERVES THE RIGHT TO MAKE CHANGES AT ANY TIME WITHOUT NOTICE AND WITHOUT INCURRING ANY OBLIGATION WHATSOEVER. NO PART OF THIS PUBLICATION MAY BE REPRODUCED WITHOUT WRITTEN PERMISSION. THIS MANUAL IS WRITTEN FOR PERSONS WHO HAVE ACQUIRED BASIC KNOWLEDGE OF MAINTENANCE ON HONDA MOTORCYCLES OR MOTOR SCOOTERS.

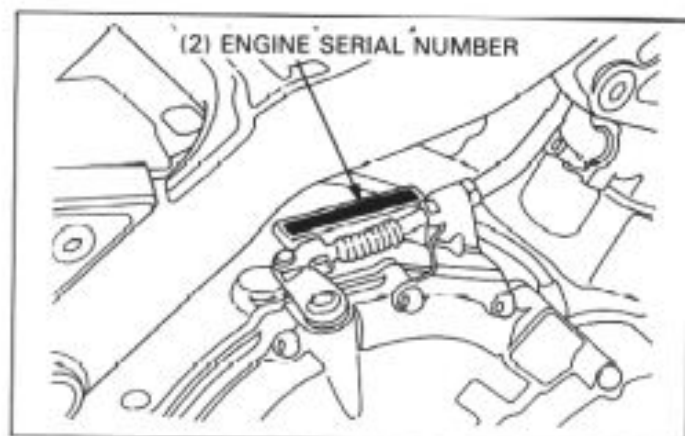
# CONTENTS

	<b>GENERAL INFORMATION</b>	<b>1</b>
	<b>FRAME/BODY PANELS/EXHAUST SYSTEM</b>	<b>2</b>
	<b>MAINTENANCE</b>	<b>3</b>
<b>ENGINE AND DRIVE TRAIN</b>	<b>LUBRICATION</b>	<b>4</b>
	<b>COOLING SYSTEM</b>	<b>5</b>
	<b>FUEL SYSTEM</b>	<b>6</b>
	<b>ENGINE REMOVAL/INSTALLATION</b>	<b>7</b>
	<b>CYLINDER HEAD/CYLINDER/PISTON</b>	<b>8</b>
	<b>CLUTCH/GEARSHIFT LINKAGE</b>	<b>9</b>
	<b>CRANKSHAFT/TRANSMISSION</b>	<b>10</b>
<b>CHASSIS</b>	<b>FRONT WHEEL/SUSPENSION/STEERING</b>	<b>11</b>
	<b>REAR WHEEL/SUSPENSION</b>	<b>12</b>
	<b>BRAKES</b>	<b>13</b>
<b>ELECTRICAL</b>	<b>CHARGING SYSTEM/ALTERNATOR</b>	<b>14</b>
	<b>IGNITION SYSTEM</b>	<b>15</b>
	<b>ELECTRIC STARTER/STARTER CLUTCH</b>	<b>16</b>
	<b>LIGHTS/METERS/SWITCHES</b>	<b>17</b>
	<b>WIRING DIAGRAM</b>	<b>18</b>
	<b>TROUBLESHOOTING</b>	<b>19</b>
	<b>INDEX</b>	<b>20</b>

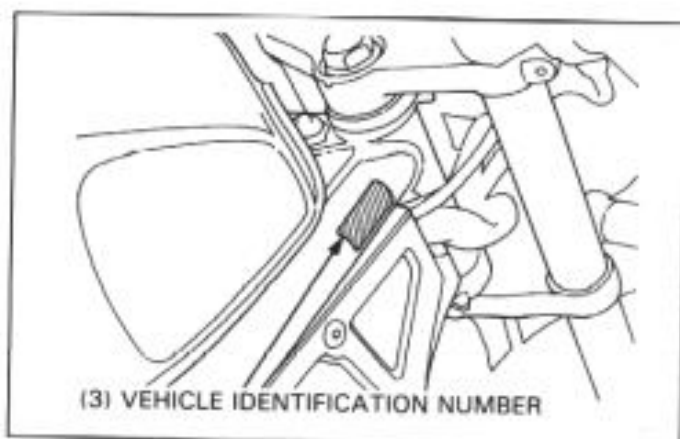
## MODEL IDENTIFICATION



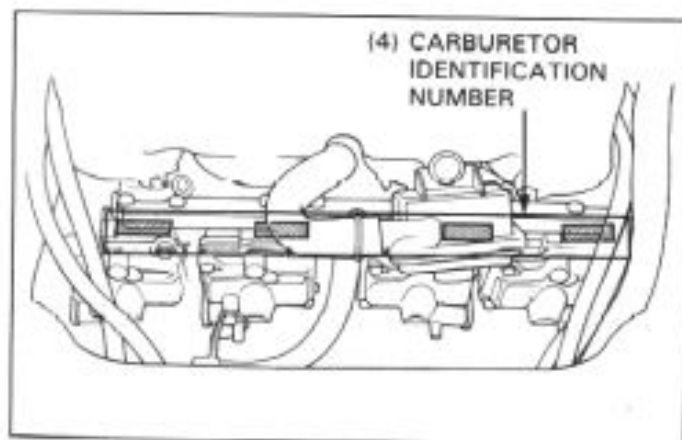
The frame serial number is stamped on the right side of the steering head.



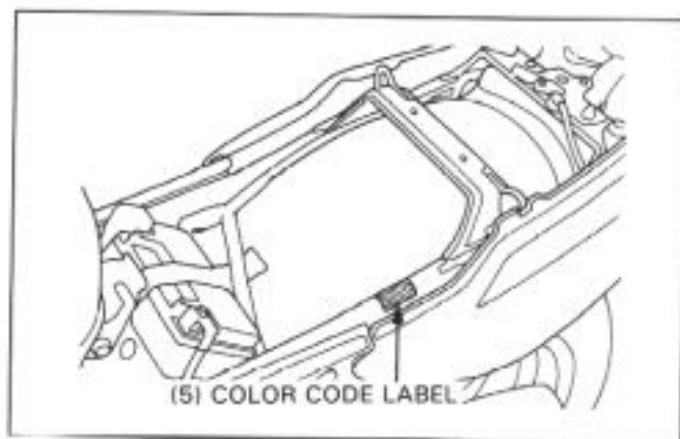
The engine serial number is stamped on the right side of the crankcase.



The Vehicle Identification Number (VIN) is located on the safety certification label on the right side of the frame tube.



The carburetor identification number is on the rear side of each carburetor.



The color code label is attached on the left frame tube under the seat. When ordering a color coded part, always specify its designated color code.





Thank you very much  
for your reading.  
Please click here  
to get more information.