

# 1997-2002 Honda CBR1100XX Motorcycle Parts Manual





**HONDA**

**PARTS CATALOG**

**CBR1100XX'97•'98•'99•'00•'01•'02**

## HOW TO USE THIS CATALOG

Ordering replacement parts for the model (s) specified on the microfiche strip

Generic layout-sample data only)

		Engine Serial Number		AREA	ORIG	QTY	Part Number	HC
		From	To					
D	4	15240057	---	AC	JPN	1	12310-PE2-020	2091797
D	①	---	12234811	A	USA	1	12310-PE2-030	2210888

Refer to the reference numbers on the microfiche strip. The numbers are representative only and do not indicate the actual part. "N" signifies the part is not applicable.

For the related part number

- Volt
- Watt
- Alternating Current
- Direct Current
- Kilometers Per Hour
- Miles Per Hour
- Attaching Mark
- Transcrip Mark
- Ampere
- With Labeling
- Without Labeling
- Tooth
- Capacitive
- Discharge Ignition

Each part number is unique per catalog (not combined).

Use the applicable model indicators.

Engine or Frame serial numbers are provided for the identification of the vehicle (frame, engine, etc.) prior to ordering parts for a vehicle. If a part has been modified, the serial number modification is listed in the SERIALIZED PARTS section. The SERIALIZED PARTS section is controlled by the model code.

Group parts (Block numbers begin with "A").

Carburetor component parts.

Group parts (Block numbers begin with "B").

Number locations are provided.

Controlled by one serial number only.

As defined in the serial number.

Unit

8. **QTY** - Quantity required per unit as specified.  
 A. "NR" in place of the quantity indicates AS REQUIRED.  
 B. "( )" in parentheses in the quantity required indicates "optional".
9. **Part Number** - Part number corresponds to the reference number and application. Several part numbers may be listed under one (1) reference number. For your convenience the current supersede chain, as of print date, has been listed. Supersede chains are subject to change without notice.
10. **HC** - The Honda Code and Part Number show a 1 to 1 relationship.

### MAKE-UP OF PART NUMBERS

All parts are classified into 1-6 groups consisting of "GENERAL PARTS" and "STANDARD PARTS". All parts are numbered in accordance with the system described below:

**General Parts**  
 Example: Driver Seat Assembly Part No. 77400-634-671ZA  
 Function No. 77  
 Component No. 400  
 Model Code No. -634-  
 Modification Process Design 671  
 Color Code\*\* ZA

**A. Additional Information** - The section index located at the bottom of each microfiche grid lists section titles. The Engine and Frame sections have separate section indexes.

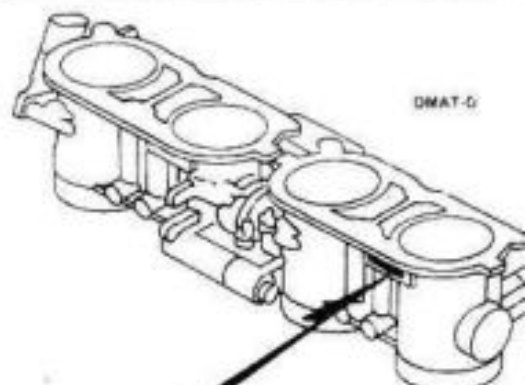
### Note

1. Rear view mirrors are standard equipment on all street legal models.

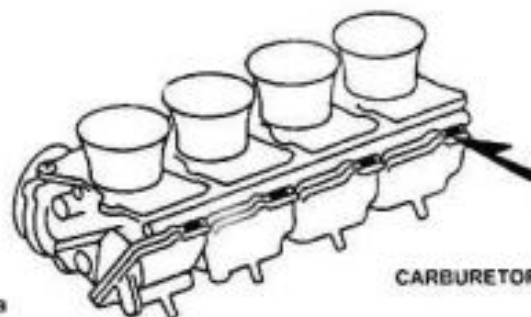
\*\*When columns become full, additional data is displayed on a second line.

\*\*The color code at the end of a part number indicates a color. Color codes such as ZA, ZB, ZC, ... except ZZ, do not indicate the actual color. Actual colors are represented in code, between asterisks in the part description.

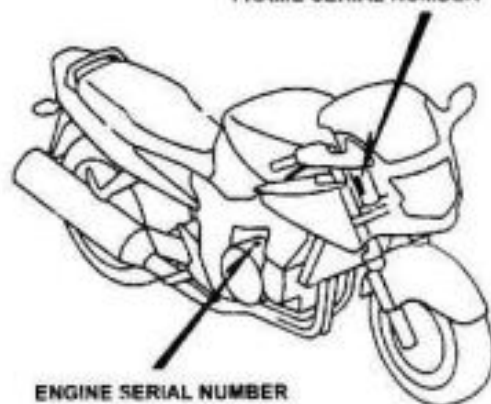
## LOCATION OF SERIAL NUMBER



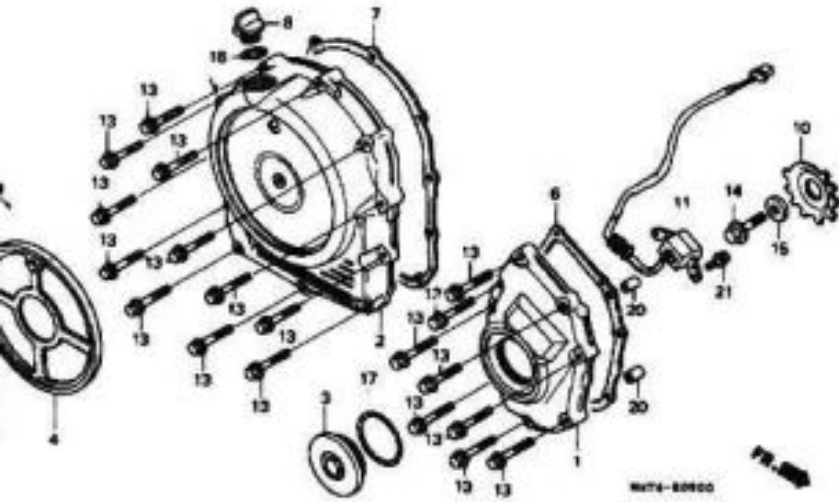
THROTTLE BODY IDENTIFICATION NUMBER



CARBURETOR IDENTIFICATION NUMBER



### RIGHT CRANKCASE COVER



MAT4E0500

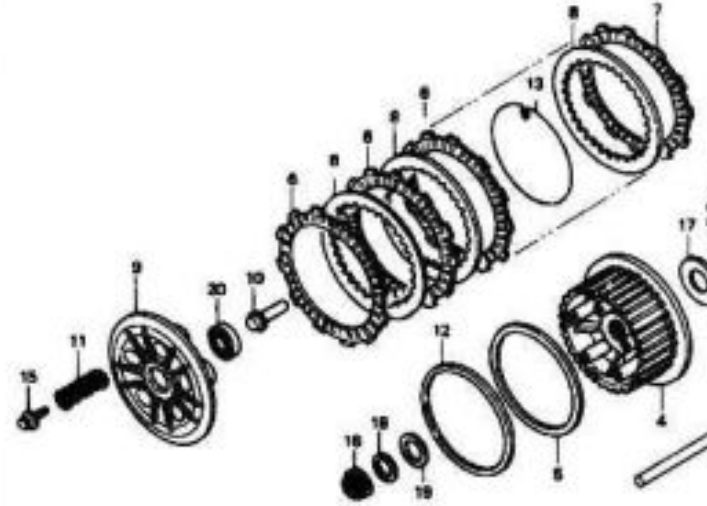
1 = CBR1100XX01  
2 = CBR1100XX02

E-5

Engine  
Serial Number

Model	Engine Serial Number		AREA	QTY	Part Number	HC
	From	To				
7 8 9 0				15	90005-048-580	4538312
1 7				15	90005-048-580	5397509
7 8 9 0 1 2				1	90013-430-000	0680777
7 8 9 0 1 2				1	90405-K77-000	3692324
7 8 9 0 1 2				1	90543-MV6-670	3699139
7 8 9 0 1 2				1	91301-ML7-003	2408805
7 8 9 0 1 2				1	91301-250-000	0035287
7 8 9 0 1 2				1	91307-425-003	1216125
7 8 9 0 1 2				1	91316-KJ6-003	1768746
7 8 9 0 1 2				2	94301-08140	0099310
7 8 9 0 1 2				2	95701-06014-00	2410884

### CLUTCH - 97-98



7 = CBR1100XX97  
8 = CBR1100XX98  
9 = CBR1100XX99  
0 = CBR1100XX00

1 = CBR1100XX01  
2 = CBR1100XX02

E-6

Engine  
Serial Number

Ref	Description	Model	Engine Serial Number		AREA	QTY
			From	To		
1	SPROCKET, OIL PUMP DRIVE (26T)	7	2011355			1
8		8				1
	SPROCKET, OIL PUMP DRIVE (26T)	7		2011355		1
2	CLUTCH OUTER	7 8				1
3	GUIDE, CLUTCH (OUTER)	7 8				1
4	CENTER, CLUTCH	7 8				1
5	SEAT, JUDDER SPRING	7 8				1
6	DISK A, CLUTCH FRICTION	7 8				8
7	DISK B, CLUTCH FRICTION	7 8				1
8	PLATE, CLUTCH	7 8				8
9	PLATE, CLUTCH PRESSURE	7 8				1
10	PIECE, CLUTCH JOINT	7 8				1
11	SPRING, CLUTCH	7 8				1
12	SPRING, JUDDER	7 8				1
13	CLIP, CLUTCH CENTER	7 8				1
14	ROD, CLUTCH LIFTER	7 8				1
15	BOLT, WASHER (6X32)	7 8				1
16	NUT, LOCK (25MM)	7 8				1



Thank you very much  
for your reading.  
Please click here  
to get more information.