

R30S BACKHOE

S/N A2HH 00101
& above

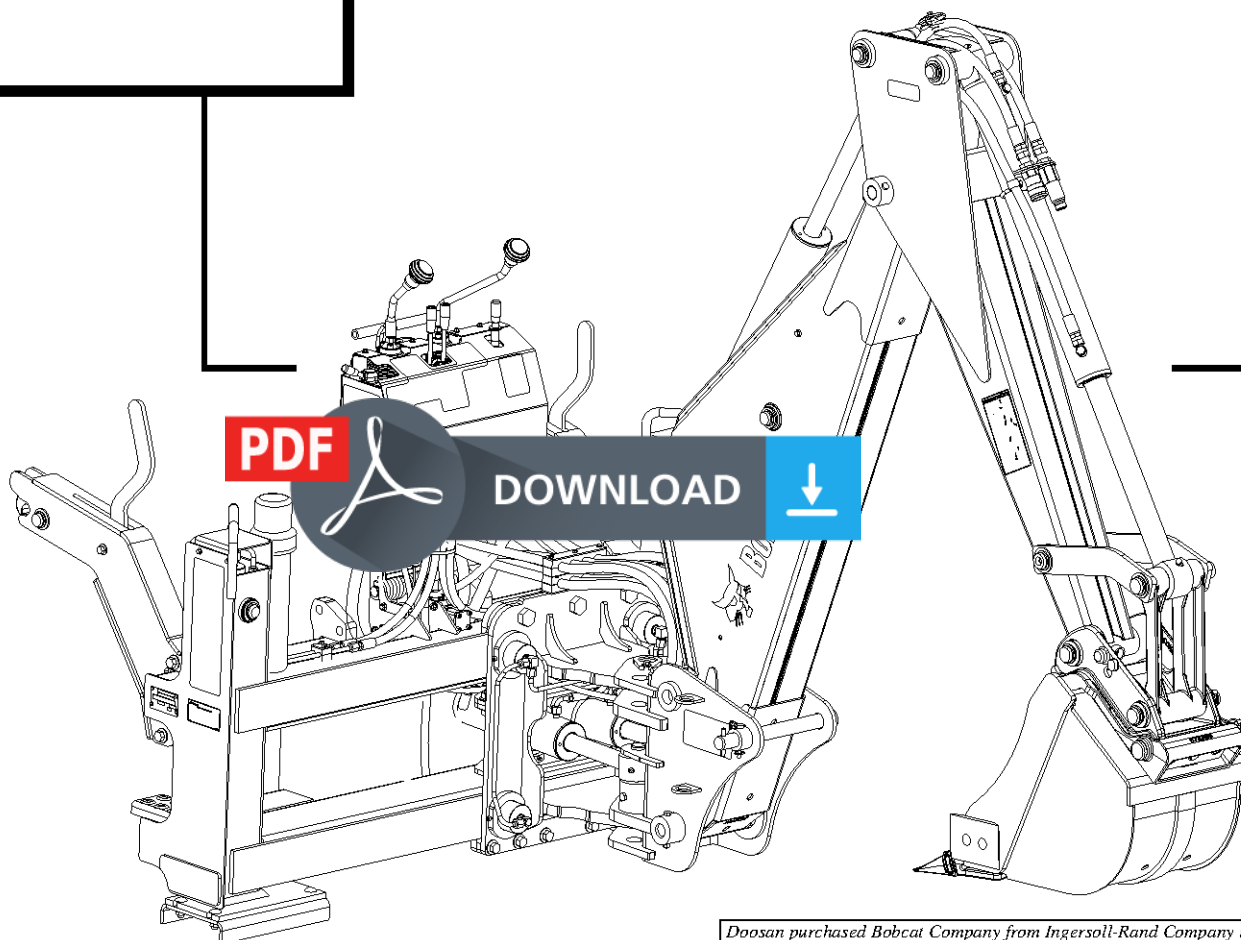
R35S BACKHOE

S/N A36S 00101
& above



Bobcat®

Service Manual



Doosan purchased Bobcat Company from Ingersoll-Rand Company in 2007. Any reference to Ingersoll-Rand Company or use of trademarks, service marks, logos, or other proprietary identifying marks belonging to Ingersoll-Rand Company in this manual is historical or nominative in nature, and is not meant to suggest a current affiliation between Ingersoll-Rand Company and Bobcat Company or the products of either.



OPERATOR SAFETY WARNINGS

WARNING

Operator must have instructions before running the machine. Untrained operators can cause injury or death.

W-2001-1285

Safety Alert Symbol: This symbol with a warning statement, means: "Warning, be alert! Your safety is involved!" Carefully read the message that follows.

CORRECT

S3979

Never use the loader without instructions. See machine signs (decals), Operation & Maintenance Manual, and Operator's Handbook.

CORRECT

S3970

Always use the seat bar and fasten seat belt snugly.
Always keep feet on the foot pedals or footrests when operating loader.

CORRECT

S3971

Never use loader without operator cab with ROPS and FOPS approval. Fasten your seat belt.

WRONG

S3972

Never use loader as man lift or elevating device for personnel.

WRONG

S3973

Do not use loader in atmosphere with explosive dust, explosive gas, or where exhaust can contact flammable material.

WRONG

S3974

Never carry riders.
Keep bystanders away from work area.

WRONG

S3975

Always carry bucket or attachments as low as possible.
Do not travel or turn with lift arms up.
Load, unload, and turn on flat level ground.

WRONG

S3976

Never exceed Rated Operating Capacity.

WRONG

S3977

Never leave loader with engine running or with lift arms up.
To park, engage parking brake and put attachment flat on the ground.

WRONG

S3978

Never modify equipment.
Use only attachments approved by Bobcat Company for this model loader.

SAFETY EQUIPMENT

The Bobcat Loader must be equipped with safety items necessary for each job. Ask your dealer for information on the safe use of attachments and accessories.

1. **SEAT BELT:** Check belt fasteners and check for damaged webbing or buckle.
2. **SEAT BAR:** When up, it must lock the loader controls.
3. **OPERATOR CAB (ROPS and FOPS):** It must be on the loader with all fasteners tight.
4. **HANDBOOK:** Must be in the cab.
5. **SAFETY SIGNS (DECALS):** Replace if damaged.
6. **SAFETY TREADS:** Replace if damaged.
7. **GRAB HANDLES:** Replace if damaged.
8. **LIFT ARM SUPPORT DEVICE:** Replace if damaged.
9. **PARKING BRAKE**
10. **BOBCAT INTERLOCK CONTROL SYSTEM (BICS)**

FOREWORD

DELIVERY REPORT..... III
IDENTIFICATION V
SERIAL NUMBER LOCATION IV



Bobcat®



Thank you very much
for your reading.
Please click here
to get more information.