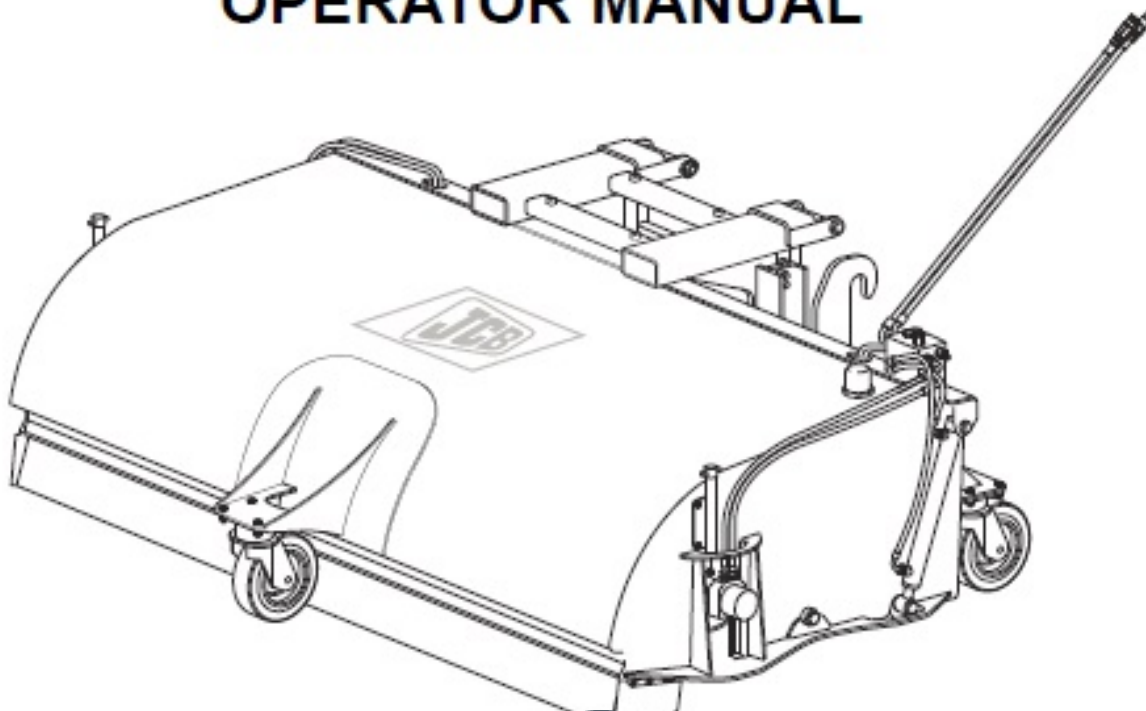
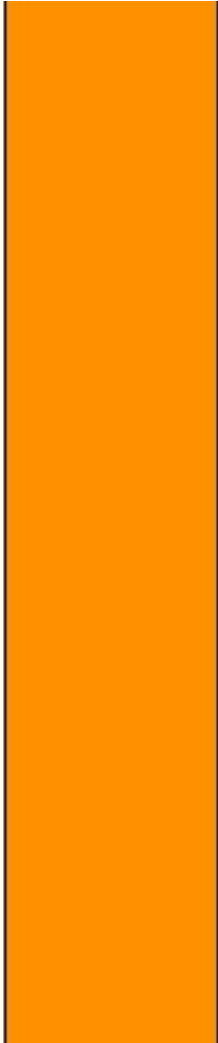


# OPERATOR MANUAL



SWEEPER COLLECTOR (SC SERIES)

(JCB LOADALLS, 2CX/3CX/4CX BACKHOE LOADERS AND WHEELED LOADING SHOVELS)



# JCB SWEEPER COLLECTORS (SC SERIES) Operator Manual

Download Operator Manual For JCB SWEEPER COLLECTORS (SC SERIES).

Part number: EN 9814/0531-04

This operator manual is arranged to give you a good understanding of the machine and its safe operation. It also contains maintenance and technical data. Read this manual from the front to the back before you use the machine for the first time, even if you have used machines of a similar / same type before as the technical specification, systems and controls of the machine may have changed. Particular attention must be given to all the safety aspects of operating and maintaining

the machine.. With this in-depth & highly detailed manual you will be able to operate on your vehicle with the absolute best resources available, which will not only save you money in repair bills but will also help you to look after your business.

Models Covered:

SWEEPER COLLECTORS (SC SERIES)

(for JCB LOADALLS, 2CX/3CX/4CX BACKHOE LOADERS AND WHEELED LOADING SHOVELS)

This manual is INSTANT DOWNLOAD. It means no shipping cost or waiting for getting a CD package for several days. you will receive this manual today via instant download on completion of payment via our secure payment processor.

Manual Contents:

About this Manual

Operation

Maintenance

Optional Attachments

Specification

Warranty

Total Pages: 407

This manual can be used by anyone from a first time owner/amateur to a professional technician. Even the most novice mechanic can also easily follow the step-by-step guides which are made simple by the illustrations and drawings. Keep this manual handy and use it often. Performing routine, preventive maintenance will save you time & money by helping to prevent premature failure and unnecessary repairs.

You will receive a download link in no time after your payment is completed successfully. So please make sure your email address is correct. Don't Forget to Check Spam / Junk &nbsp; if can't find the new message in your email inbox immediately.

File Format: PDF

Compatible: All Versions of Windows & Mac

Language: English



Thank you very much  
for your reading.  
Please click here  
to get more information.