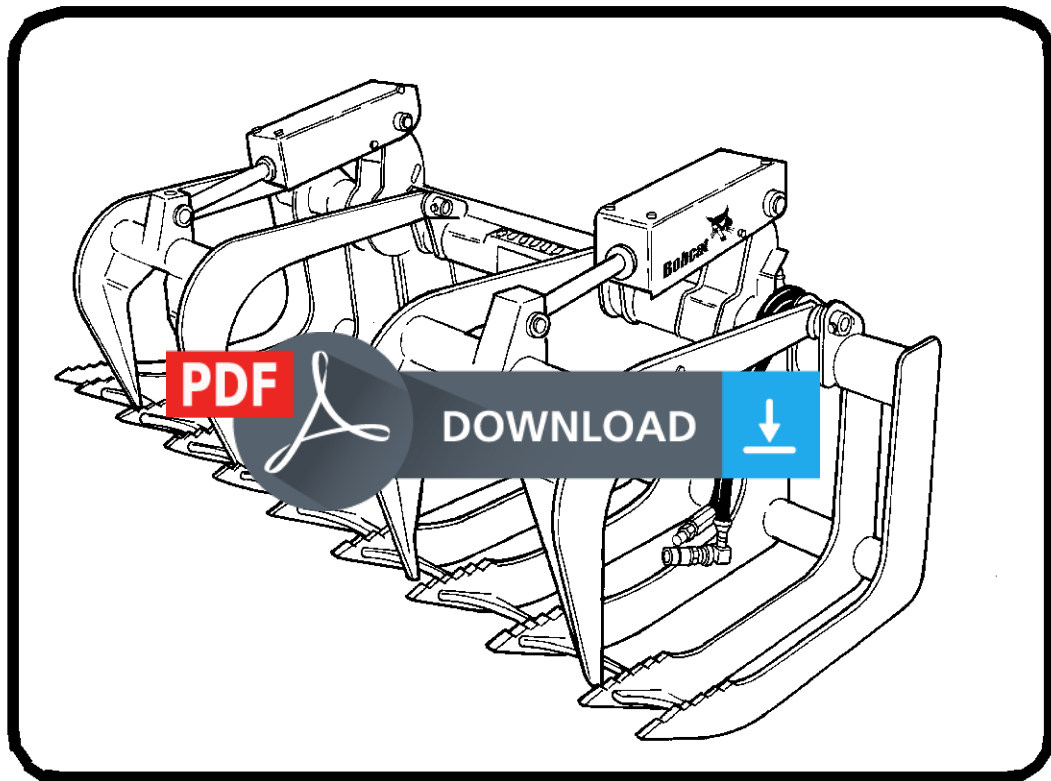




Bobcat®

Operation & Maintenance Manual Root Grapple

(66 In.) S/N A16B00101 & Above
(72 In.) S/N 029200101 & Above
(82 In.) S/N 029400101 & Above



CONTENTS

FOREWORD..... III
SAFETY & TRAINING RESOURCES..... IX
OPERATING INSTRUCTIONS OI-1
PREVENTIVE MAINTENANCE PM-1
SPECIFICATIONS..... SPEC-1
WARRANTY WARRANTY-1
ALPHABETICAL INDEX INDEX-1

REFERENCE INFORMATION

Write the correct information for YOUR root grapple in the spaces below. Always use these numbers when referring to your root grapple.

Root Grapple Serial Number _____

NOTES:

YOUR BOBCAT® DEALER:

ADDRESS:

PHONE:

Bobcat Company
P.O. Box 128
Gwinner, ND 58040-0128

Bobcat Company Europe
Drève Richelle 167
B-1410 WATERLOO
Belgium

FOREWORD

**SAFETY &
TRAINING
RESOURCES**

**OPERATING
INSTRUCTIONS**

**PREVENTIVE
MAINTENANCE**

SPECIFICATIONS

WARRANTY

**ALPHABETICAL
INDEX**



FOREWORD

FOREWORD

This Operation & Maintenance Manual was written to give the owner/operator instructions on the safe operation and maintenance of the root grapple. READ AND UNDERSTAND THIS OPERATION & MAINTENANCE MANUAL BEFORE OPERATING YOUR root grapple. If you have any questions, see your Bobcat dealer.

BOBCAT COMPANY IS ISO 9001:2000 CERTIFIED	V
DELIVERY REPORT	VI
FEATURES AND ACCESSORIES	VIII
Standard Items	VIII
IDENTIFICATION AND MACHINE SIGNS (DECALS)	VII
SERIAL NUMBER LOCATION	VI
Attachment Serial Number	VI



Thank you very much
for your reading.
Please click here
to get more information.