

## 8025ZTS, 8026CTS, JS30, 8029CTS, 8030ZTS, 8035ZTS

Service Manual - 8025ZTS, 8026CTS, JS30, 8029CTS, 8030ZTS, 8035ZTS

[Section 1 - General Information](#)

[Section 2 - Care and Safety](#)

[Section 3 - Maintenance](#)

[Section A - Attachments](#)

[Section B - Body and Framework](#)

[Section C - Electrics](#)

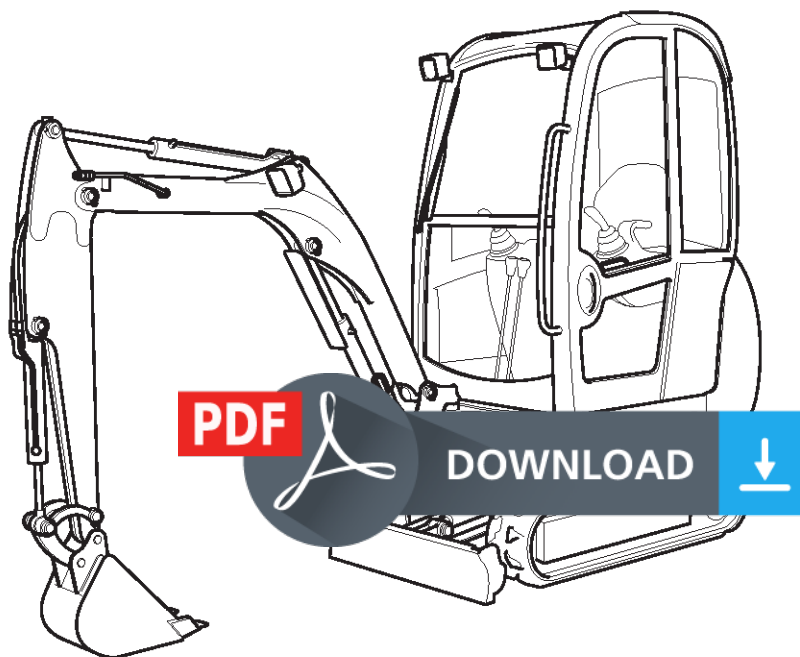
[Section D - Controls](#)

[Section E - Hydraulics](#)

[Section F - Gearboxes](#)

[Section J - Track and Running Gear](#)

[Section K - Engine](#)



Publication No.  
**9803/9410-08**



Copyright © 2007 JCB SERVICE. All rights reserved. No part of this publication may be reproduced, stored in a retrieval system, or transmitted in any form or by any other means, electronic, mechanical, photocopying or otherwise, without prior permission from JCB SERVICE.

Issued by JCB India Limited, 23/7, Mathura Road, Ballabgarh - 121004, Haryana (India), Tel 0129 4299000 Fax 0129 2309051

World Class  
Customer Support

## General Information

Service Manual - 8025ZTS, 8026CTS, JS30, 8029CTS, 8030ZTS, 8035ZTS

[Section 1 - General Information](#)

[Section 2 - Care and Safety](#)

[Section 3 - Maintenance](#)

[Section A - Attachments](#)

[Section B - Body and Framework](#)

[Section C - Electrics](#)

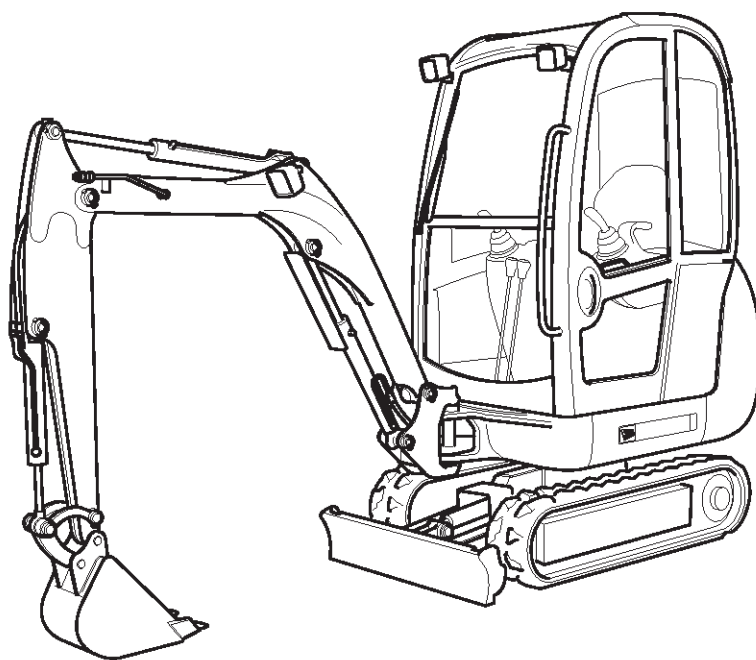
[Section D - Controls](#)

[Section E - Hydraulics](#)

[Section F - Gearboxes](#)

[Section J - Track and Running Gear](#)

[Section K - Engine](#)



Publication No.  
**9803/9410-08**



Copyright © 2004 JCB SERVICE. All rights reserved. No part of this publication may be reproduced, stored in a retrieval system, or transmitted in any form or by any other means, electronic, mechanical, photocopying or otherwise, without prior permission from JCB SERVICE.

Issued by JCB Technical Publications, JCB Aftermarket Training, Woodseat, Rocester, Staffordshire, ST14 5BW, England. Tel +44 1889 591300 Fax +44 1889 591400

World Class  
Customer Support



Thank you very much  
for your reading.  
Please click here  
to get more information.