

PART No. EM17C-3-1

Operator's Manual

EX750-5 EX800H-5 Excavator



Serial No.

EX750-5	005244 and up
EX800H-5	005244 and up

HITACHI

INTRODUCTION

Read this manual carefully to learn how to operate and service your machine correctly. Failure to do so could result in personal injury or machine damage.

This manual should be considered a permanent part of your machine and should remain with the machine when you sell it.

This machine is of metric design. Measurements in this manual are metric. Use only metric hardware and tools as specified.

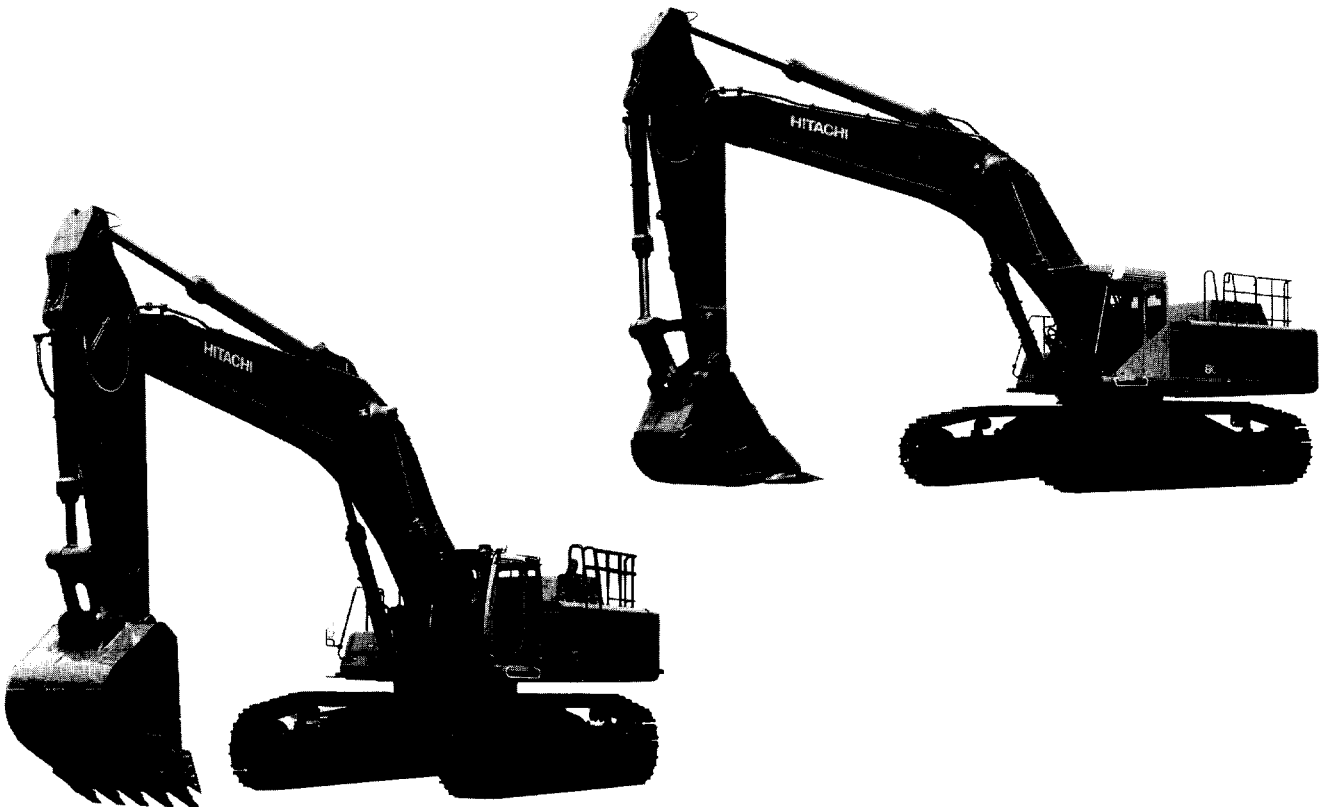
Right-hand and left-hand sides are determined by facing in the direction of forward travel.

Write product identification numbers in the Machine Numbers section. Accurately record all the numbers to help in tracing the machine should it be stolen. Your dealer also needs these numbers when you order parts. If this manual is kept on the machine, also file the identification numbers in a secure place off the machine.

Warranty is provided as part of Hitachi's support program for customers who operate and maintain their equipment as described in this manual. The warranty is explained on the warranty certificate which you should have received from your dealer.

This warranty provides you the assurance that Hitachi will back its products where defects appear within the warranty period. In some circumstances, Hitachi also provides field improvements, often without charge to the customer, even if the product is out of warranty. **Should the equipment be abused, or modified to change its performance beyond the original factory specifications, the warranty will become void and field improvements may be denied.** Setting fuel delivery above specifications or otherwise overpowering machines will result in such action.

Only qualified, experienced operators officially licensed (according to local law) should be allowed to operate the machine. Moreover, only officially licensed personnel should be allowed to inspect / service the machine.



All information, illustrations and specifications in this manual are based on the latest product information available at the time of publication. The right is reserved to make changes at any time without notice.

INDEX

MACHINE NUMBERS

SAFETY

SAFETY SIGNS

COMPONENTS NAME

GETTING ON/OFF THE MACHINE

OPERATOR'S STATION

BREAK-IN

PRE-START INSPECTION

OPERATING THE ENGINE

DRIVING THE MACHINE

OPERATING THE MACHINE

ASSEMBLING

TRANSPORTING

MAINTENANCE

STORAGE

TROUBLESHOOTING

SPECIFICATIONS

OPTIONAL ATTACHMENTS AND DEVICES

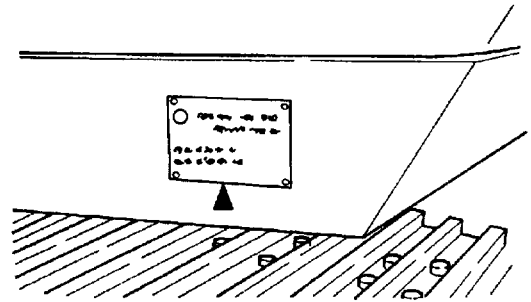
INDEX

MACHINE NUMBERS

MACHINE TYPE AND SERIAL NUMBERS

MODEL/TYPE: _____

PRODUCT IDENTIFICATION NUMBER: _____



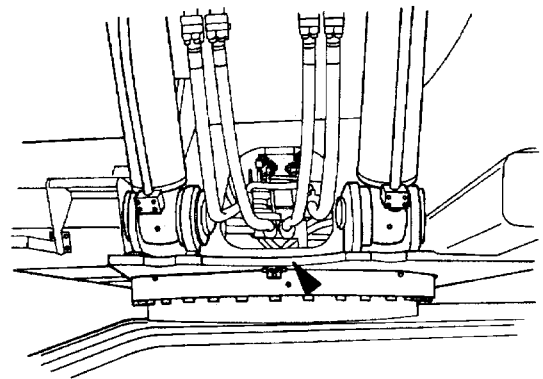
M107-12-001

PRODUCT IDENTIFICATION NUMBER

PRODUCT IDENTIFICATION NUMBER: _____

NOTE:

_____ Marks to indicate the start and end of the PIN
17CP005244
└── PRODUCT IDENTIFICATION NUMBER (PIN)

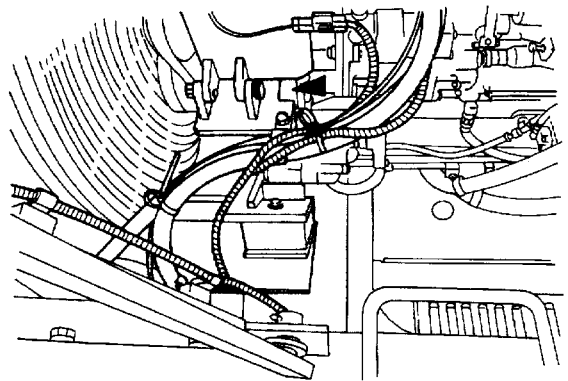


M162-07-034

ENGINE TYPE AND SERIAL NUMBER

TYPE: _____

MFG. NO.: _____

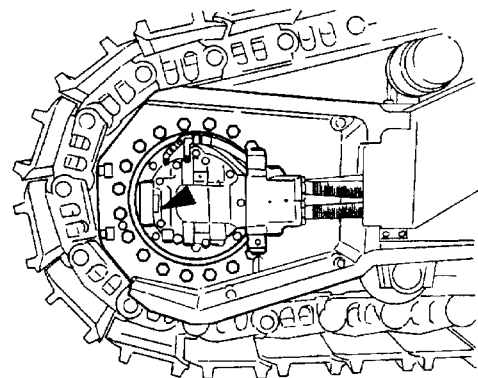


M162-07-051

TRAVEL MOTOR TYPE AND SERIAL NUMBER

TYPE: _____

MFG. NO.: _____



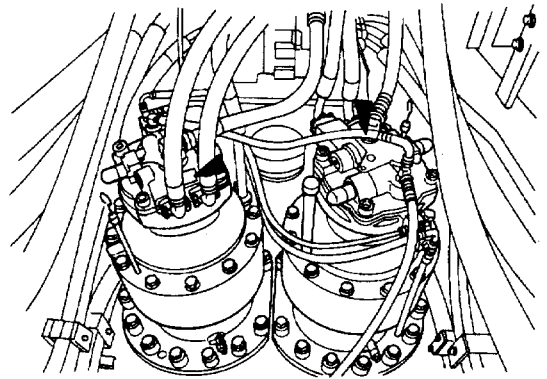
M162-12-003

MACHINE NUMBERS

SWING MOTOR TYPE AND SERIAL NUMBER

TYPE: _____

MFG. NO.: _____

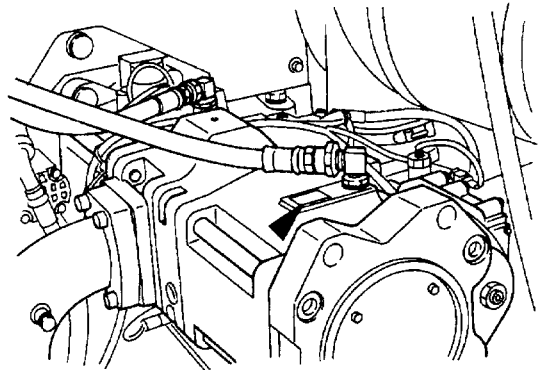


M162-12-002

HYDRAULIC PUMP TYPE AND SERIAL NUMBER

TYPE: _____

MFG. NO.: _____



M162-12-001



Thank you very much
for your reading.
Please click here
to get more information.