

# Case 521D Wheel Loaders Service Repair Workshop Manual



# 521D Loader Service Manual 6-40742 Table of Contents

Description	Section No.	Form No.
<b>General</b>		
	<b>Tab 1</b>	
Section Index - General		6-42730
Standard Torque Specifications	1001	8-71602
Fluids and Lubricants	1002	6-40762
Metric Conversion Chart	1003	7-52950
Loctite Product Chart		8-98902
<b>Engines</b>		
	<b>Tab 2</b>	
Section Index - Engines		6-42281
Engine and Radiator Removal and Installation	2000	6-42290
Engine and Radiator Removal and Installation P.I.N. JEE0135501 and Above	2000	6-48920
Stall Tests	2002	6-40770
For Engine Repair, See the Engine Service Manual		
<b>Fuel System</b>		
	<b>Tab 3</b>	
Section Index - Fuel System		6-42300
For Fuel System Repair, See the Engine Service Manual		
<b>Electrical</b>		
	<b>Tab 4</b>	
Section Index - Electrical		6-42311
Removal and Installation of Starter and Alternator	4001	6-42321
Electrical Specifications and Troubleshooting	4002	6-40782
Electrical Specifications and Troubleshooting P.I.N. JEE0135501 and Above	4002	6-48930
Batteries	4003	6-42330
Information and Diagnostic Center	4005	6-42351
Alternator - 65 Ampere	4007	7-12260
Alternator - 45 Ampere	4008	6-42360
<b>Steering</b>		
	<b>Tab 5</b>	
Section Index - Steering		6-42370
Removal and Installation of Steering Components	5001	6-42380
Steering Specifications, Pressure Checks, and Troubleshooting	5002	6-40790
Steering Control Valve	5003	6-42390
Steering Priority Valve	5004	6-42400
Steering Cylinders	5005	6-42410
Center Pivot	5006	6-42420
Auxiliary Steering Motor and Pump	5008	6-42430

CASE CORPORATION  
700 State Street  
Racine, WI 53404 U.S.A.

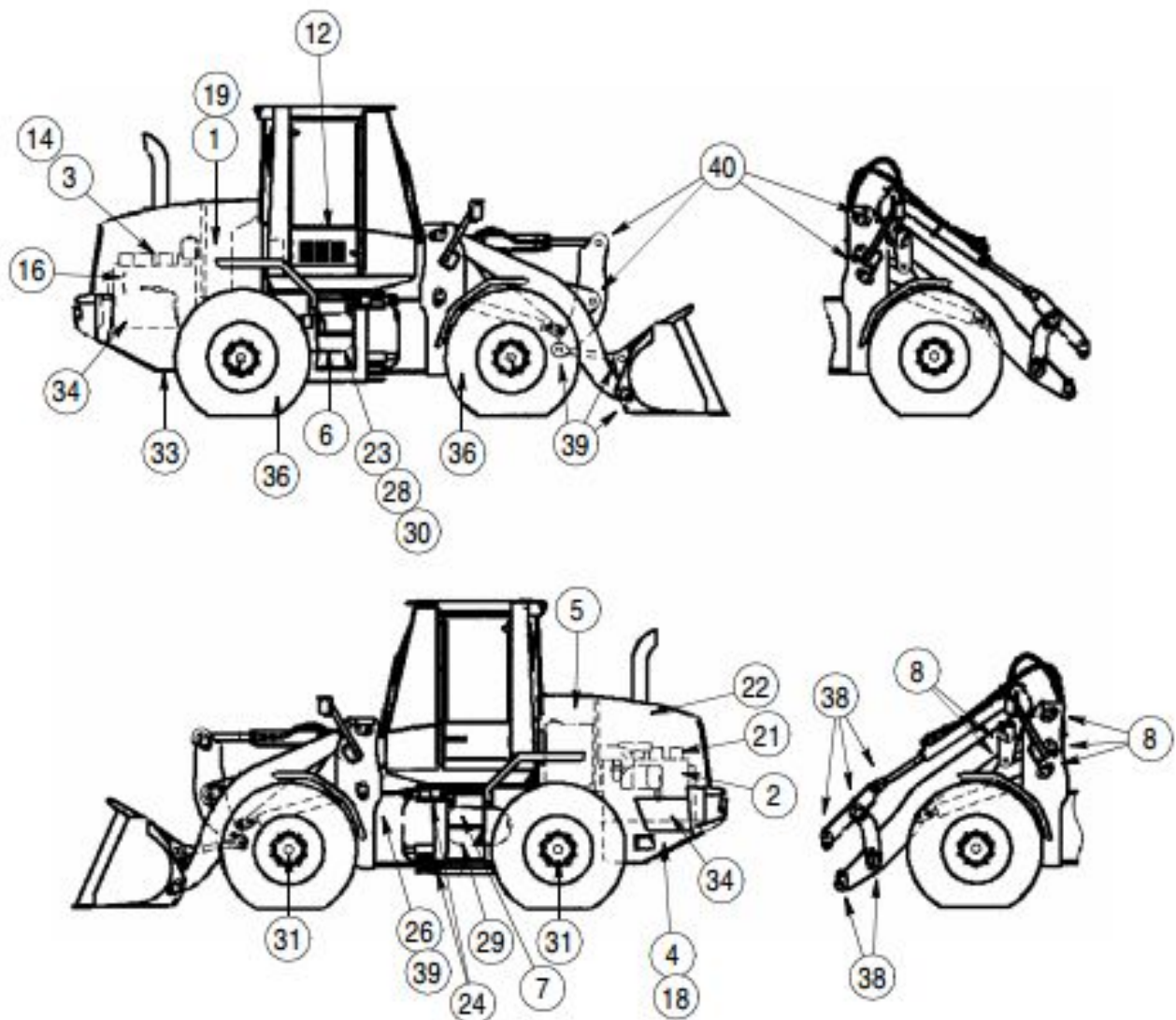
CASE CANADA CORPORATION  
3350 South Service Road  
Hamilton, ON L7N 3M6 CANADA

Bur 6-42722

Copyright © 2003 Case Corporation  
Printed in U.S.A.  
August, 2001 (Revised February, 2003)

## MAINTENANCE SCHEDULE

### Model 521D

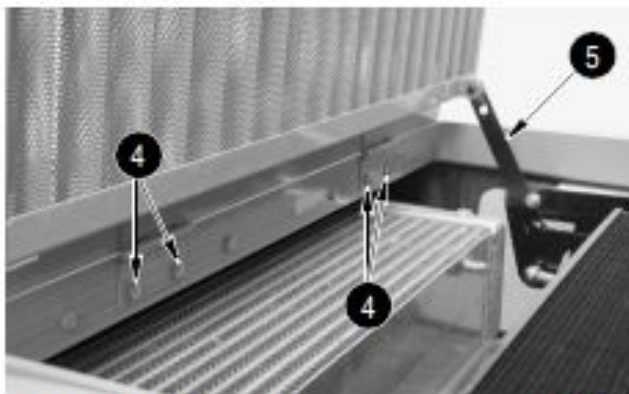


85018021

If you operate the machine in severe conditions, lubricate and service the machine more frequently. It is recommended that you see your Case dealer for information on the System Guard Lubrication Analysis System.

See your Operators manual for maintenance of safety related items and for detailed information of the service items on this chart. Operators and service manuals are available for this machine from your Case dealer.

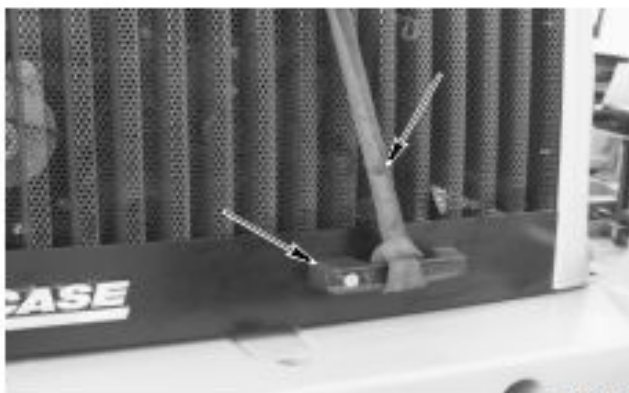
### STEP 8



80010144

Remove four bolts (4) securing hinges of screen to hood. Disconnect prop bar (5) from screen and remove screen.

### STEP 9



80010255

Connect a lifting strap to the hood handle and connect lifting equipment to strap. Depress handle latch and let hood raise.

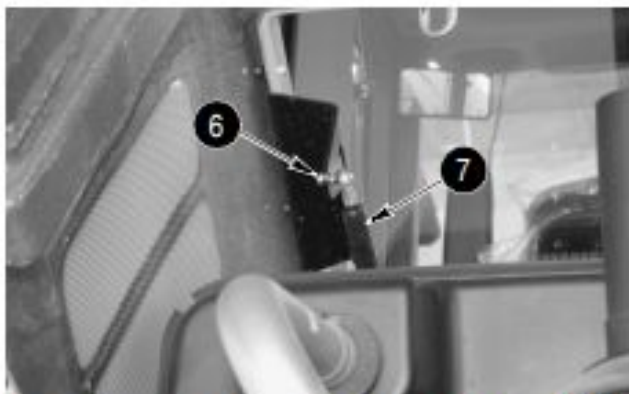
### STEP 10



80010256

Take up all slack in strap connected to hood handle.

### STEP 11



80010145

Remove lock nut (6) securing LH spring (7) to hood. Repeat to remove lock nut securing RH spring to hood. Disconnect springs from hood; it may be necessary to raise hood to disconnect springs from hood.

### STEP 12



80010258

At front RH side of hood, identify, tag, and disconnect hood wiring harness connector from rear chassis wiring harness connector.

### STEP 13

Lower hood.



Thank you very much  
for your reading.  
Please click here  
to get more information.