

SERVICE MANUAL

LS Series
L3AL / L3BL
Tier 3
Engine



Part number 47731080

English

August 2015

part number 47528913

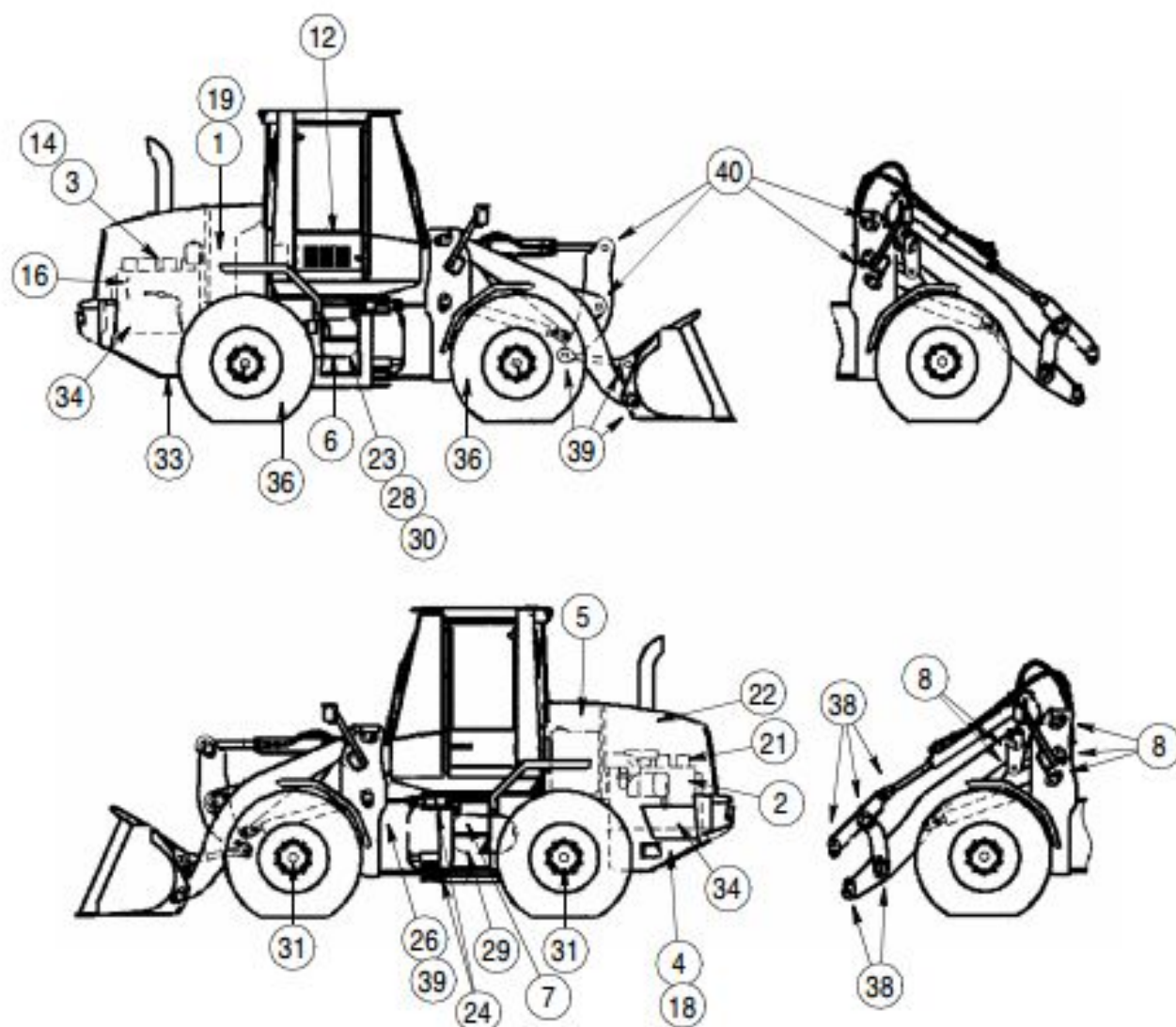
621D Loader Service Manual 6-42964

Table of Contents

Description	Section No.	Form No.
General		
	Tab 1	
Section Index - General		6-42730
Standard Torque Specifications	1001	8-71602
Fluids and Lubricants	1002	6-42981
Metric Conversion Chart	1003	7-52950
Loctite Product Chart		8-98902
Engines		
	Tab 2	
Section Index - Engines		6-42281
Engine and Radiator Removal and Installation	2000	6-44630
Engine and Radiator Removal and Installation P.I.N. JEE0135501 and Above	2000	6-49060
Stall Tests	2002	6-42991
For Engine Repair, See the Engine Service Manual		6-74500
Fuel System		
	Tab 3	
Section Index - Fuel System		6-42300
For Fuel System Repair, See the Engine Service Manual		6-74500
Electrical		
	Tab 4	
Section Index - Electrical		6-42311
Removal and Installation of Starter and Alternator	4001	6-44641
Electrical Specifications and Troubleshooting	4002	6-40782
Electrical Specifications and Troubleshooting P.I.N. JEE0135501 and Above	4002	6-48930
Batteries	4003	6-42330
Information and Diagnostic Center	4005	6-42351
Alternator - 65 Ampere	4007	7-12260
Alternator - 45 Ampere	4008	6-42360
Steering		
	Tab 5	
Section Index - Steering		6-42370
Removal and Installation of Steering Components	5001	6-44650
Steering Specifications, Pressure Checks, and Troubleshooting	5002	6-43000
Steering Control Valve	5003	6-42390
Steering Priority Valve	5004	6-42400
Steering Cylinders	5005	6-44670
Center Pivot	5006	6-42420

MAINTENANCE SCHEDULE

Model 621D

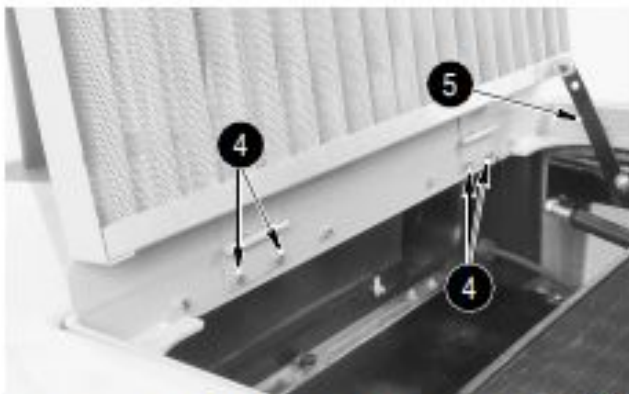


85018021

If you operate the machine in severe conditions, lubricate and service the machine more frequently. It is recommended that you see your Case dealer for information on the System Guard Lubrication Analysis System.

See your Operators manual for maintenance of safety related items and for detailed information of the service items on this chart. Operators and service manuals are available for this machine from your Case dealer.

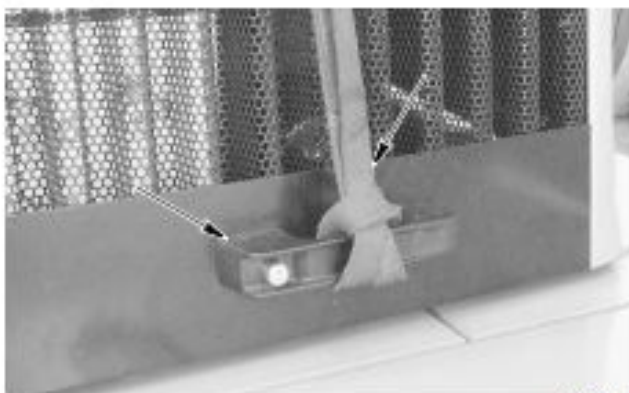
STEP 8



BD01F148

Remove four bolts (4) securing hinges of screen to hood. Disconnect prop bar (5) from screen and remove screen.

STEP 9



BD01F153

Connect a lifting strap to the hood handle and connect lifting equipment to strap. Depress handle latch and let hood raise.

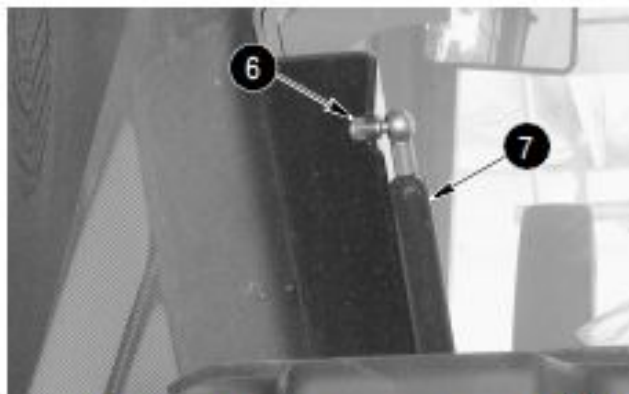
STEP 10



BD01F255

Take up all slack in strap connected to hood handle.

STEP 11



BD01F154

Remove lock nut (6) securing LH spring (7) to hood. Repeat to remove lock nut securing RH spring to hood. Disconnect springs from hood; it may be necessary to raise hood to disconnect springs from hood.

STEP 12



BD01F155

At front RH side of hood, identify, tag, and disconnect hood wiring harness connector from rear chassis wiring harness connector.

STEP 13

Lower hood.



Thank you very much
for your reading.
Please click here
to get more information.