

# Case CB Serie Hydraulic hammers Rockbreakers Service Repair Workshop Manual



# Hydraulic hammers CB Serie

Service Manual

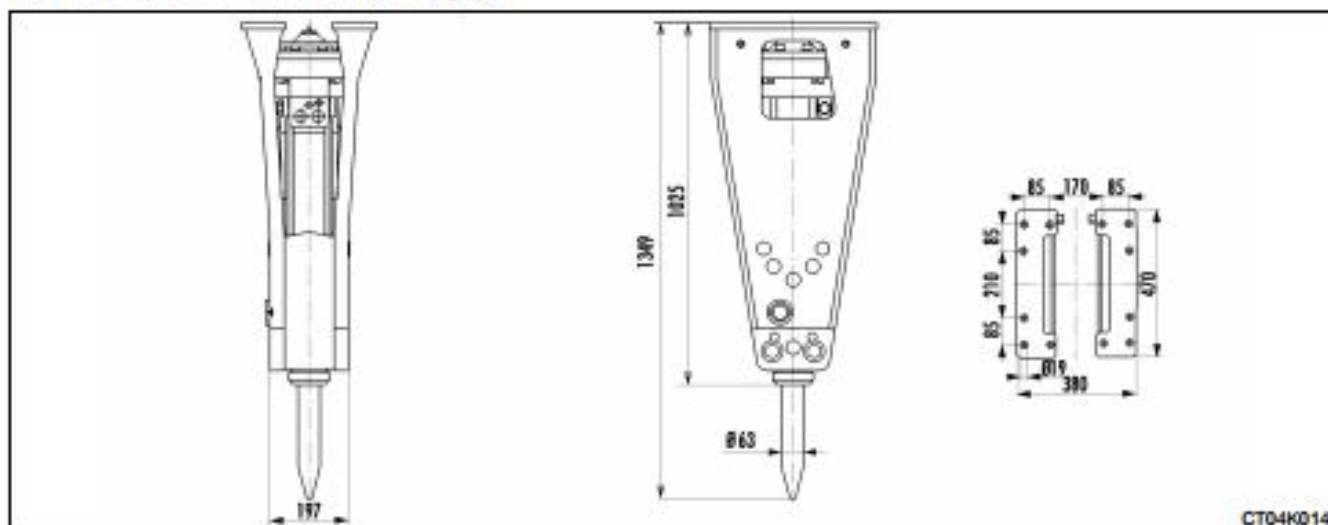
603.67.221.00



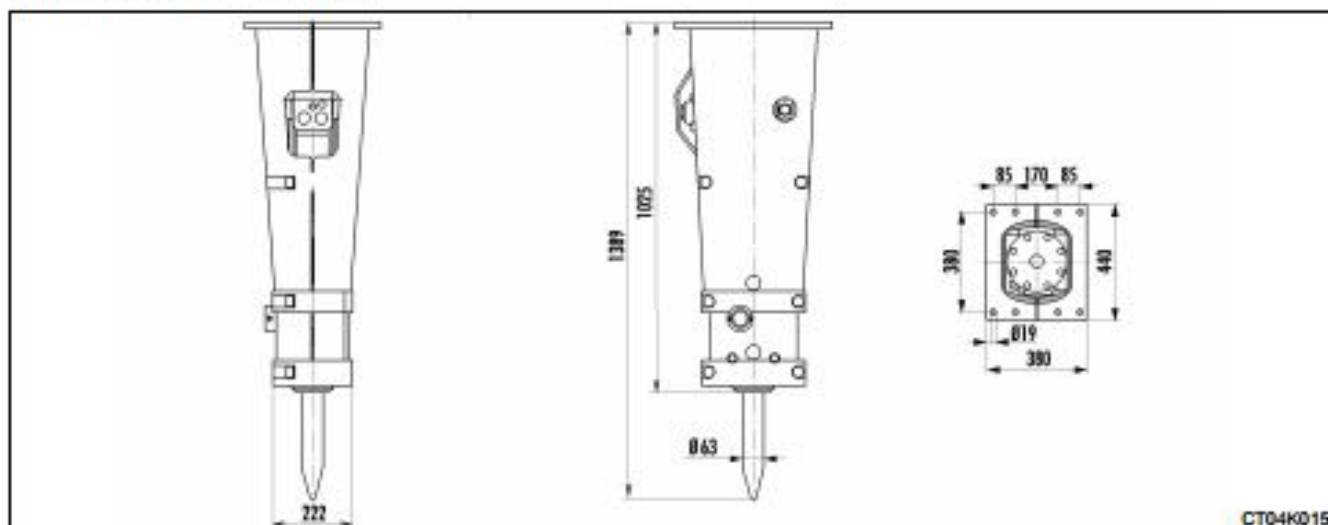
## TABLE OF CONTENTS

TECHNICAL SPECIFICATIONS .....	3
Overall dimensions .....	3
SPECIFICATIONS .....	9
TORQUE SETTINGS .....	10
TOOLS REQUIRED .....	10
SPECIAL TOOLS .....	11
REPLACING A HYDRAULIC HAMMER .....	12
HANDLING THE HYDRAULIC HAMMER .....	14
HYDRAULIC BREAKER OVERALL DIMENSIONS .....	16
HAMMER HYDRAULIC PRESSURE DISCHARGE .....	17
LOCATION OF MAIN COMPONENTS .....	18
CB32 - CB45 - CB65 - CB85 - CB120 - CB150 .....	18
Removing the chassis plates .....	19
Installing the chassis plates .....	20
Releasing pressure in the low pressure accumulator .....	21
LOW PRESSURE ACCUMULATOR .....	21
Releasing pressure from the high pressure accumulator .....	24
HIGH PRESSURE ACCUMULATOR .....	24
CHARGING THE ACCUMULATOR .....	27
Charging .....	27
PRESSURE REGULATING VALVE .....	29
Assembly .....	30
TIE-RODS .....	32
Removal .....	32
CONTROL VALVE COMPONENTS (CB32 - CB85) .....	35
Removal .....	35
CONTROL VALVE BODY COMPONENTS (CB45 - CB65 - CB120 - CB150) .....	38
Removal .....	38
CYLINDER .....	42
Removal .....	42
FRONT PART .....	45
Removal .....	45
CHANGING A TOOL .....	48
Removal .....	48
Installation .....	49

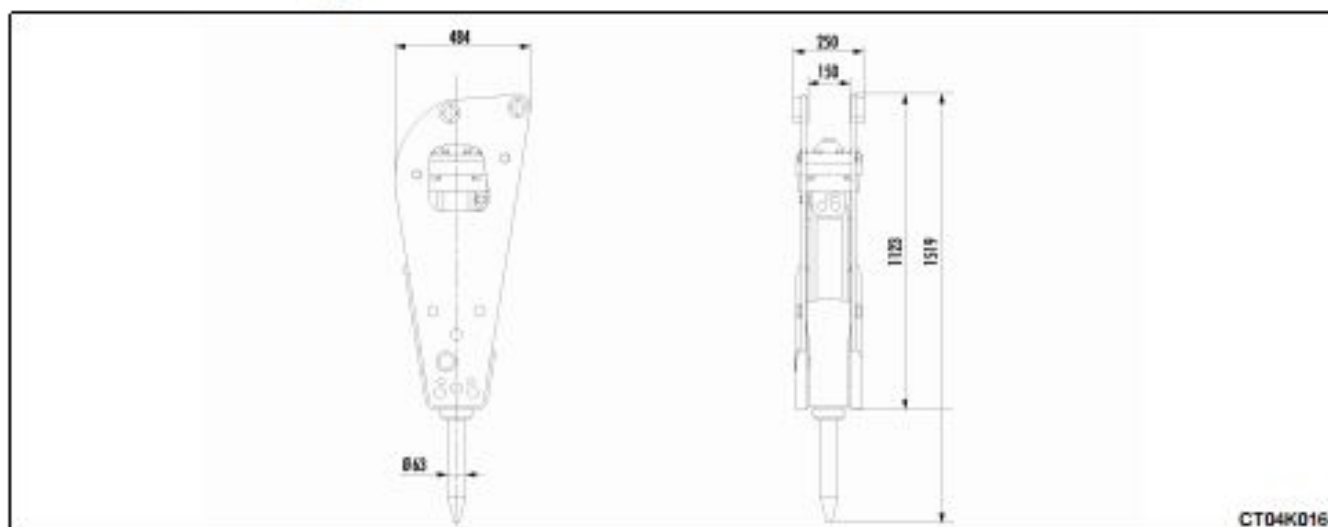
### Model CB 65 "Standard" type



### Model CB 65 "S" type



### Model CB 65 "P" type





Thank you very much  
for your reading.  
Please click here  
to get more information.