

Case CX135SR Crawler Excavators Service Repair Workshop Manual



CX135SR Crawler excavator

Table of contents

	REFERENCE N°
SERVICE MANUAL.....	9-40641GB
ENGINE SERVICE MANUAL (BB - 4BG1T).....	*
LARGE FORMAT HYDRAULIC AND ELECTRICAL SCHEMATICS.....	9-43660

* *Consult the Engine Service Manual*

Configurations contained in this Service Manual:

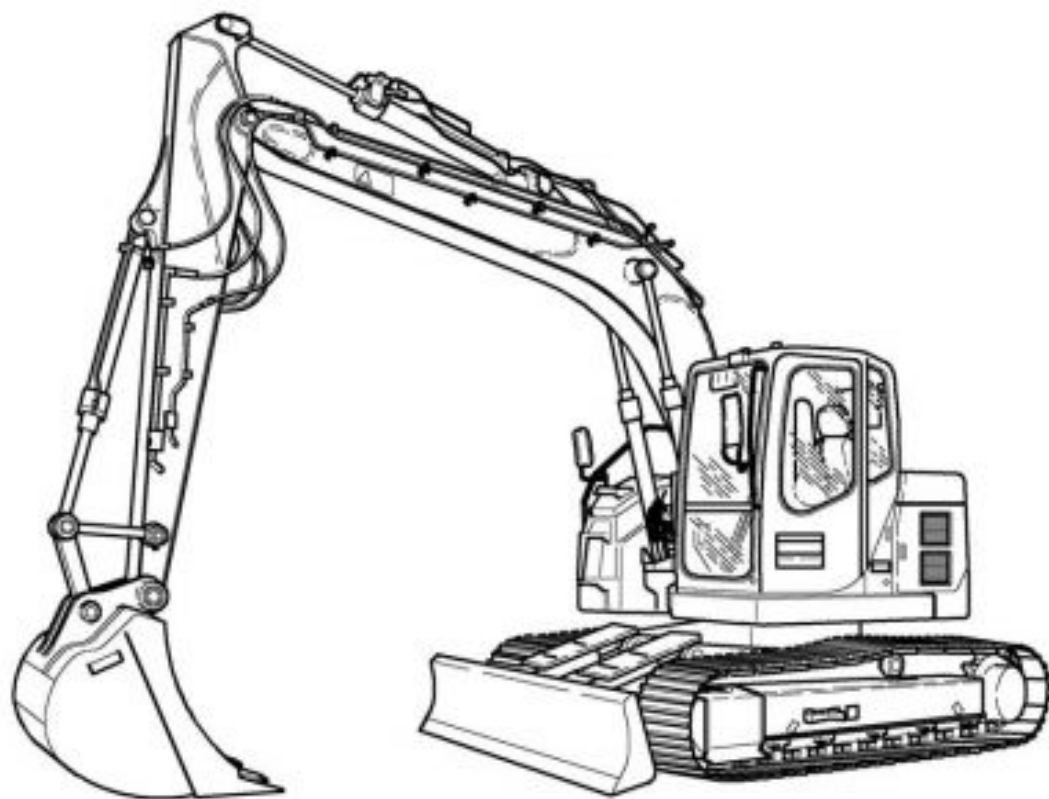
CX135SR NA	(North Model América)
CX135SR WE	(Model Europe)
CX135SR MONOBLOC BOOM	(Model equipped with monobloc boom)
CX135SR OFFSET BOOM	(Model equipped with offset boom)

NOTE: CNH Company reserves the right to make changes in the specification and design of the machine without prior notice and without incurring any obligation to modify units previously sold.

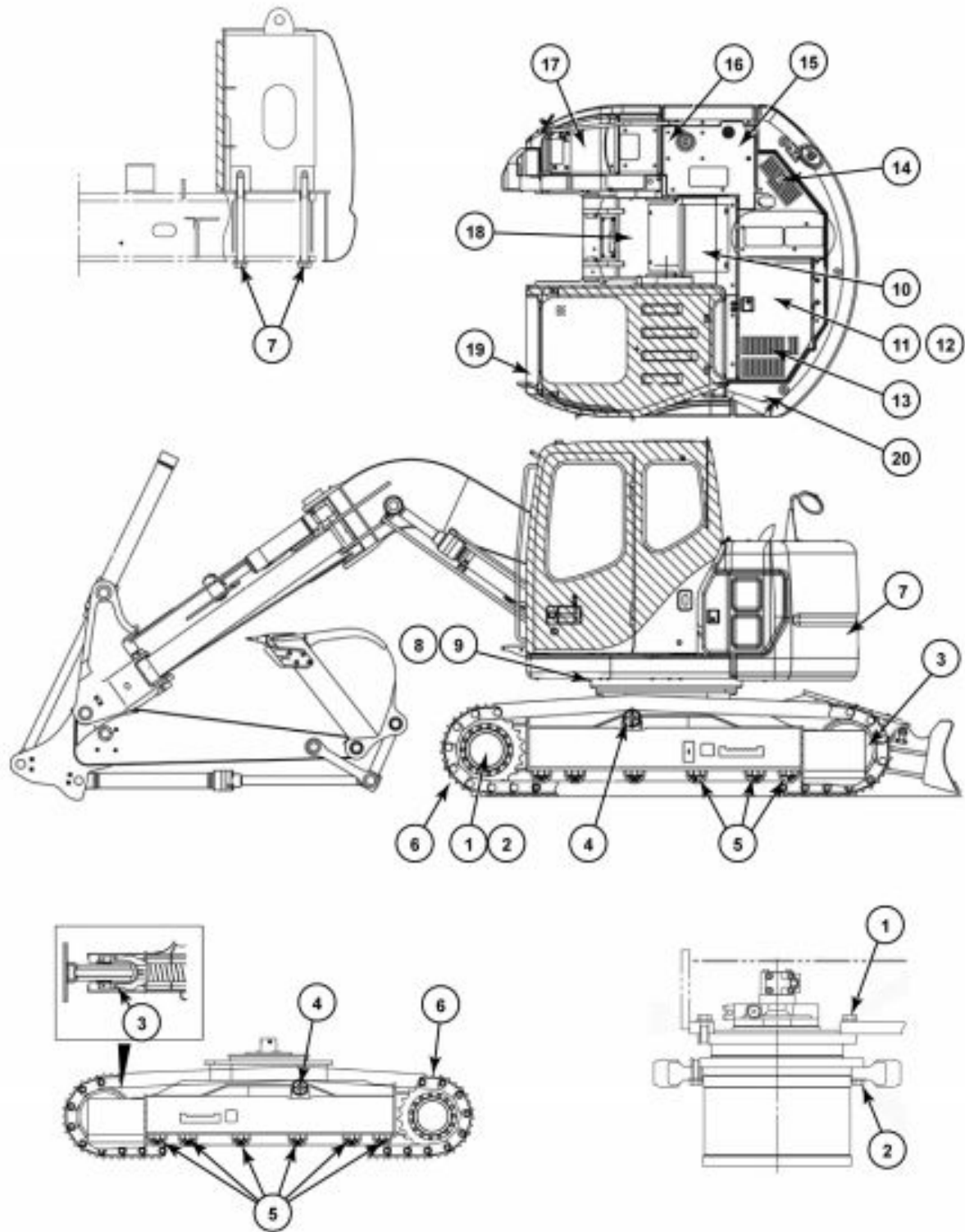
The description of the models shown in this manual has been made in accordance with the technical specifications known as of the date of design of this document.

CASE

REPAIR MANUAL



CX135SR



CRLE09.001H01 1



Thank you very much
for your reading.
Please click here
to get more information.