



PDF



DOWNLOAD



NOLEGGIO

Mini Excavators

CX16B and CX18B

SERVICE MANUAL

SECTIONS INDEX

PAGES

SECTION 1 - HOW TO USE

Sections index	1-1
Introduction	1-4
Features of the manual	1-5

SECTION 2 - SAFETY RULES

Safety rules	S1
Safety signs	S38

SECTION 3 - PRELIMINARY

General precautions for repairs	3-1
Escaping procedure in case of emergency	3-6
International unit conversion system	3-7

SECTION 4 - SPECIFICATION

Foreword	4-1
Identification data	4-2
Noise levels (2000/14/EC)	4-3
Summary plate for maintenance operations	4-4
Basic components of the mini excavator	4-5
Technical specifications	4-7
Digging performances (canopy)	4-8
Digging performances (cab)	4-9
Transport dimensions (canopy)	4-10
Transport dimensions (cab)	4-11
Lifting capacities (cab)	4-12
Lifting capacities (canopy)	4-13
Machine and components weight (dry)	4-14
Buckets application	4-15
Filling chart	4-16

SECTION 5 - TOOLS

Tools of cylinders	5-1
Tool of hydraulic pump	5-4
Tool of pilot valve track	5-4
Tool of roller track	5-4
Tool of idler adjuster	5-5
Tools of engine	5-5
Tools of travel motor	5-8

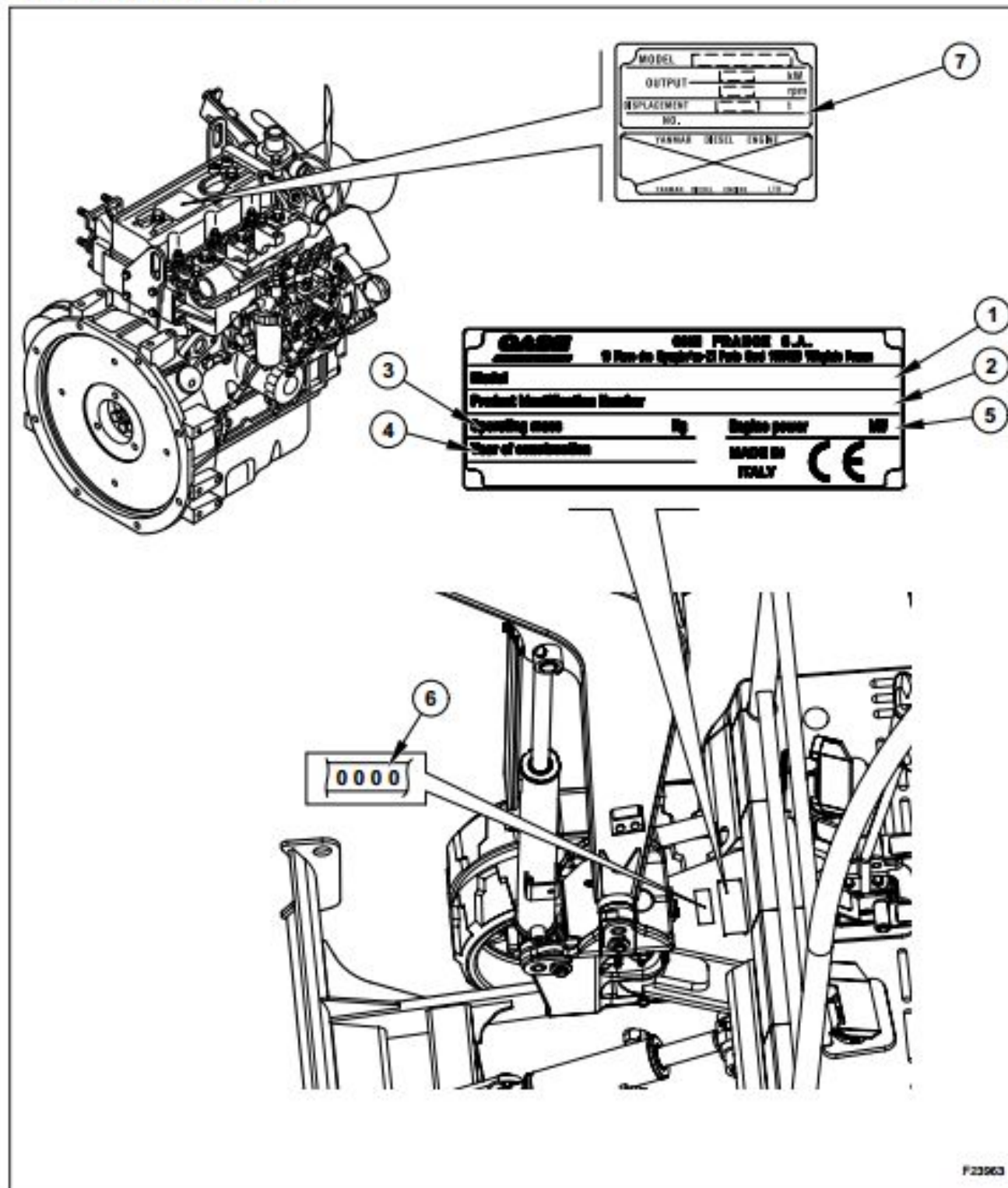
SECTION 6 - STANDARD MAINTENANCE TIME TABLE

Preface	6-1
Standard working time table for the maintenance	6-2

SECTION 7 - MAINTENANCE STANDARDS AND TEST PROCEDURES

How to use maintenance standards and precautions	7-1
Performance inspection standard table	7-2
Measuring engine speed	7-4
Measuring hydraulic oil pressure	7-5
Measuring travel performances	7-8
Measuring slew performances	7-10
Measuring attachment operating performances	7-12
Measuring slew bearing performances	7-14
Measuring crawler tension	7-15

IDENTIFICATION DATA



F23963

EXCAVATOR MARKING PLATES

- | | |
|--------------------------------|---|
| 1. Machine technical type | 5. Engine power in kW |
| 2. Frame identification number | 6. Frame identification number |
| 3. Machine total mass | 7. Identification decal: diesel engine type and serial number |
| 4. Machine manufacturing year | |



Thank you very much
for your reading.
Please click here
to get more information.