

Case CX180 Crawler Excavators Service Repair Workshop Manual



PDF



DOWNLOAD

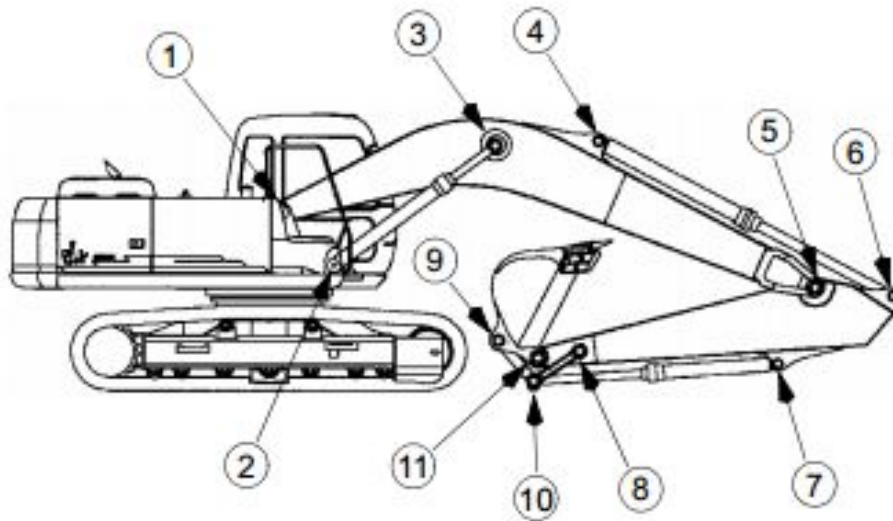


CX180 Crawler Excavators

Table of Contents

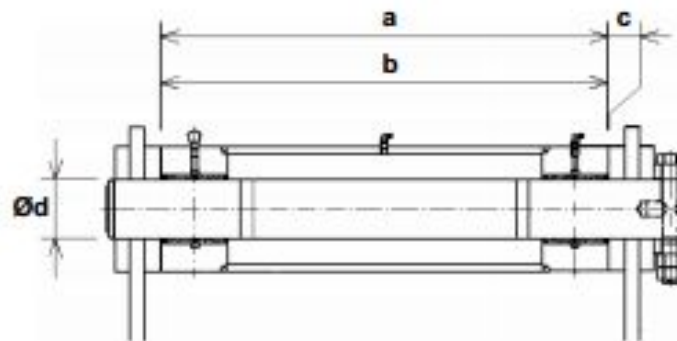
DIVISION/SECTION	SECTION N°	REFERENCE N°
1 GENERAL INFORMATION		
Safety, general information and standard torque data	1001	7-27690GB
General specifications and special torque setting	1002	7-27714GB
2 ENGINE		
Removal and installation of the engine	2000	7-28220GB
Radiator and oil-cooler	2001	7-28040GB
Engine specifications	*	
Disassembly and assembly of the engine	*	
3 FUEL SYSTEM		
Fuel tank	3001	7-27970GB
Fuel engine system	*	
4 ELECTRICAL SYSTEM		
Electrical system, electrical and electronic troubleshooting	4001	7-27723GB
Inspection and maintenance of batteries and connecting a booster battery ...	4002	7-27921GB
Main and engine electronic control boxes	4003	7-27932GB
5 UNDERCARRIAGE		
Removal and installation of tracks	5001	7-27750GB
Rollers	5003	7-27771GB
Sprocket	5004	7-27781GB
Idler wheel and tension shock absorber	5005	7-27802GB
6 DRIVE TRAIN		
Drive motor and final drive transmission removal and installation	6001	7-27841GB
Drive motor and final drive transmission disassembly and assembly	6002	7-28090GB
Swing reduction gear, removal and installation	6003	7-29900GB
Swing reduction gear, disassembly and assembly	6004	7-28370GB
7 UNDERCARRIAGE HYDRAULICS		
8 UPPERSTRUCTURE HYDRAULICS		
Depressurising and decontaminating the hydraulic system, use of the vacuum pump and bleeding the components	8000	7-27952GB
Specifications, troubleshooting, checks and hydraulic pressure settings	8001	7-27703GB
Hydraulic reservoir removal and installation	8002	7-27990GB
Main and pilot pumps, removal and installation	8003	7-27871GB
Main hydraulic control valve, removal and installation	8004	7-27880GB
Attachment cylinders, removal and installation	8005	7-27791GB
Hydraulic swivel, removal and installation	8006	7-27811GB
Pilot blocs, removal and installation	8007	7-28130GB
Swing motor, removal and installation	8008	7-29890GB
Main hydraulic pump, disassembly and assembly	8010	9-35490FR
Main hydraulic control valve, disassembly and assembly	8011	7-28200FR
Attachment cylinders, disassembly and assembly	8012	7-27901GB
Hand control levers, disassembly and assembly	8013	7-28110GB
Foot control levers, disassembly and assembly	8014	7-28300FR
Six-solenoid valves, disassembly and assembly	8015	7-27911GB
Caution valve, disassembly and assembly	8016	7-27942GB
Safety vave	8017	7-29631GB
Hydraulic swivel, disassembly and assembly	8018	7-28080GB
Swing motor, disassembly and assembly	8019	7-28010GB
Hydraulic functions	8020	7-28481GB

DIMENSIONS AND LIMIT OF WEAR AND TEAR OF THE MOBILE JOINTS OF THE ATTACHMENT



C5018501

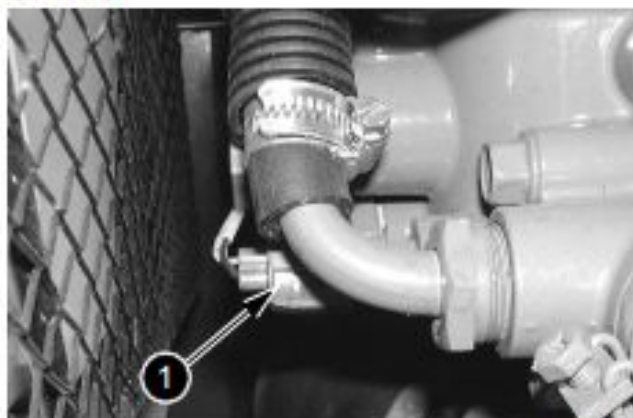
1. Boom foot/Undercarriage



C5018502

Marking	Dimension (mm)		
		CX130	CX160 CX180
a	Standard	569	632
	Limit	579	642
b	Standard	568.5	631
	Limit	566.5	629
c (a - b)	Standard	0.5 to 3	0.5 à 3
	Limit	Shims	Shims
Ø d (pin)	Standard	75	80
	Limit	76.5	79
Ø d (ring)	Standard	75	80
	Limit	74	81.5

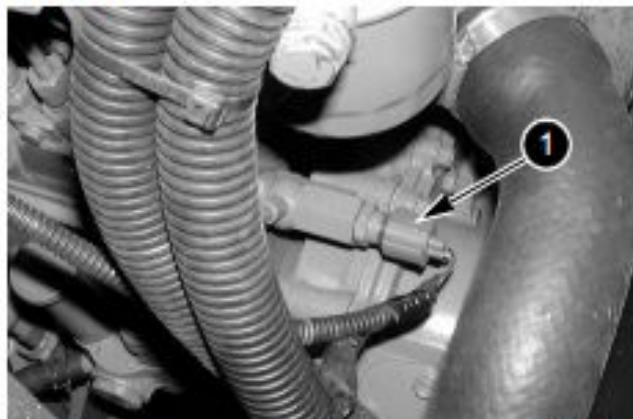
STEP 9



CD00J027

Label and disconnect the electrical connection from the water temperature sensor (1).

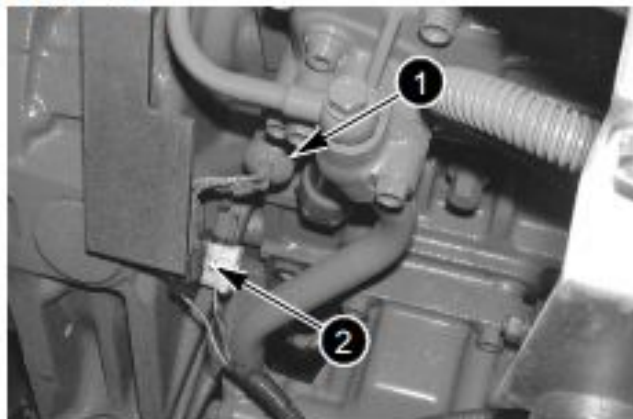
STEP 10



CD00J028

Label and disconnect the electrical connection from the fuel temperature sensor (1).

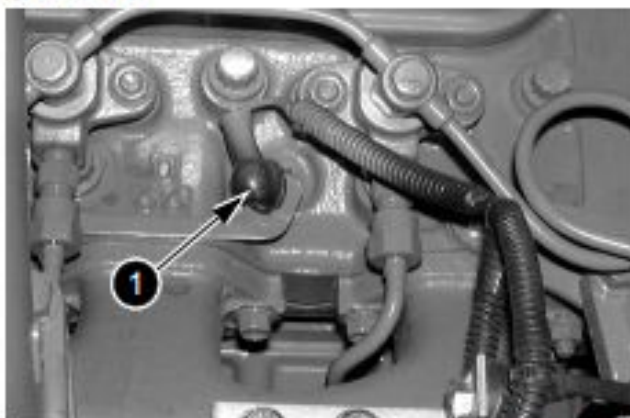
STEP 11



CD00J029

Label and disconnect the electrical connection from the oil pressure detector (1) and the engine speed detector (2).

STEP 12



CD00J030

Label and disconnect the electrical supply (1) to the pre-heating plugs.

STEP 13



CD00J031

Label and disconnect the starter motor electrical connections. Remove the earth braid cable (1) at the engine end.



Thank you very much
for your reading.
Please click here
to get more information.