

Case CX290 Crawler Excavators Service Repair Workshop Manual



PDF



DOWNLOAD

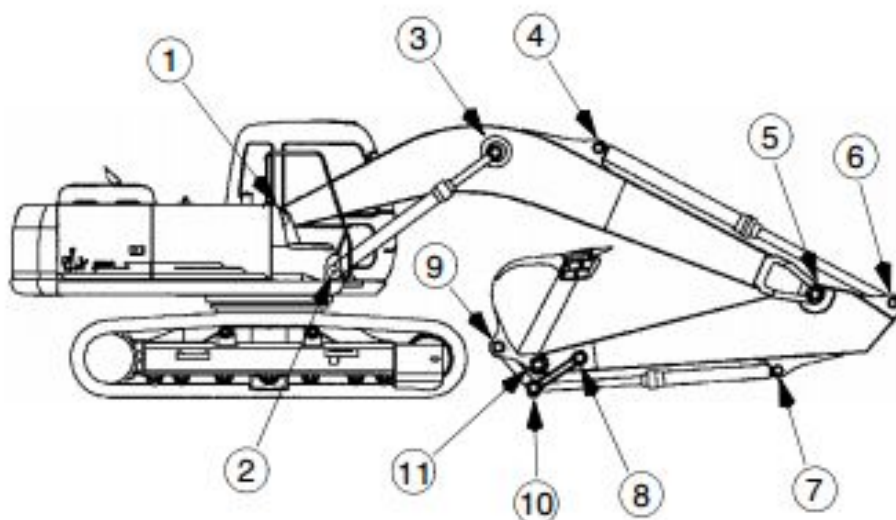


CX290 Crawler Excavators

Table of contents

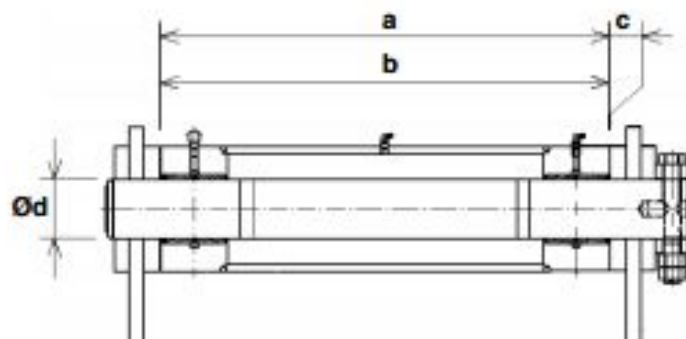
DIVISION/SECTION	SECTION No.	REFERENCE No.
1 GENERAL INFORMATION		
Safety, general information and standard torque data	1001	7-27690GB
General specifications and special torque setting	1002	9-36330GB
2 ENGINE		
Removal and installation of the engine	2000	9-43820GB
Radiator and oil-cooler	2001	9-44490GB
Engine specifications	*	
Disassembly and assembly of the engine	*	
3 FUEL SYSTEM		
Fuel tank	3001	7-27970GB
Fuel engine system	*	
4 ELECTRICAL SYSTEM		
Electrical system, electrical and electronic troubleshooting	4001	9-40330GB
Inspection and maintenance of batteries and connecting a booster battery	4002	9-43460GB
Main and engine electronic control boxes	4003	9-43450GB
5 UNDERCARRIAGE		
Removal and installation of tracks	5001	7-27750GB
Rollers	5003	9-42920GB
Sprocket	5004	9-36890GB
Idler wheel and tension shock absorber	5005	9-43000GB
6 DRIVE TRAIN		
Drive motor and final drive transmission removal and installation	6001	9-43140GB
Swing reduction gear, removal and installation	6003	9-44010GB
Swing reduction gear, disassembly and assembly	6004	9-43220GB
Travel reduction gear assembly and disassembly	6005	9-43150GB
7 UNDERCARRIAGE HYDRAULICS		
8 UPPERSTRUCTURE HYDRAULICS		
Depressurising and decontaminating the hydraulic system, use of the vacuum pump and bleeding the components	8000	9-44030GB
Specifications, troubleshooting, checks and hydraulic pressure settings	8001	9-36870GB
Hydraulic reservoir removal and installation	8002	7-27990GB
Main and pilot pumps, removal and installation	8003	9-44050GB
Main hydraulic control valve, removal and installation	8004	9-44410GB
Attachment cylinders, removal and installation	8005	7-27791GB
Hydraulic swivel, removal and installation	8006	7-27811GB
Pilot blocs, removal and installation	8007	7-28130GB
Swing motor, removal and installation	8008	9-44020GB
Main hydraulic pump, disassembly and assembly	8010	9-35491GB
Main hydraulic control valve, disassembly and assembly	8011	9-43550GB
Attachment cylinders, disassembly and assembly	8012	9-44420GB
Hand control levers, disassembly and assembly	8013	7-28110GB
Foot control levers, disassembly and assembly	8014	7-28210GB
Six-solenoid valves, disassembly and assembly	8015	9-43360GB
Caution valve, disassembly and assembly	8016	7-27942GB
Safety valve	8017	7-29631GB
Hydraulic swivel, disassembly and assembly	8018	7-28080GB
Swing motor, disassembly and assembly	8019	9-43440GB
Hydraulic functions	8020	9-43030GB
Travel hydraulic motor, disassembly and assembly	8021	9-43160GB

DIMENSIONS AND WEAR LIMITS OF ATTACHMENT LINKAGES



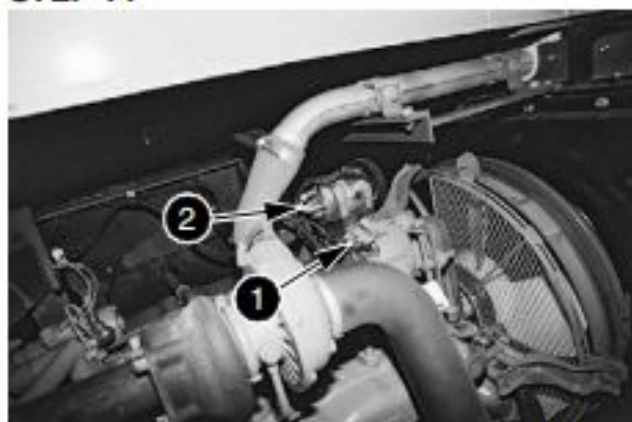
CS018521

1. Boom foot/Frame



CS018522

Mark		Dimension (mm)
a	Standard	696
	Limit	706
b	Standard	695.5
	Limit	693.5
c (a - b)	Standard	0.5 to 3
	Limit	Shims
Ø d (shaft)	Standard	100
	Limit	99
Ø d (ring)	Standard	100
	Limit	101.5

STEP 14

CD00C172

Label and disconnect the electrical connections to the alternator (1).

NOTE: If the machine is equipped with air conditioning (2), remove the compressor retaining hardware and move the compressor away from the engine.

STEP 15

Remove all the clips, etc, which fasten the electrical harnesses to the engine and move the harnesses out of the way.

STEP 16

CD00C173

Install a suitable lifting device on the engine lifting rings (for the weight of the engine, see Section 1002).

STEP 17

Remove the engine retaining hardware.

NOTE: When installing, make a visual inspection of the condition of the rubber flexible mountings and change them if necessary. Tighten the engine retaining screws to a torque of 290 ± 25 Nm.

STEP 18

When there is nothing interfering with the removal of the engine, raise the engine carefully and install it on a suitable repair bench.

NOTE: When installing the engine, proceed in the reverse order to disassembly, taking care to use the correct flexible mountings, yellow at the fan end and blue at the flywheel end.

Before operating the machine, carry out the following operations:

- Bleed and prime the fuel system (see Operator's Manual).
- Fill and bleed the engine cooling system (see Operator's Manual).
- Check the hydraulic, fuel and cooling systems for leaks.
- Check the oil level in the hydraulic reservoir. Top up if necessary.



Thank you very much
for your reading.
Please click here
to get more information.