

Case CX31B And CX36B Mini Excavators Service Repair Workshop Manual



HYDRAULIC EXCAVATOR

**SHOP
MANUAL**

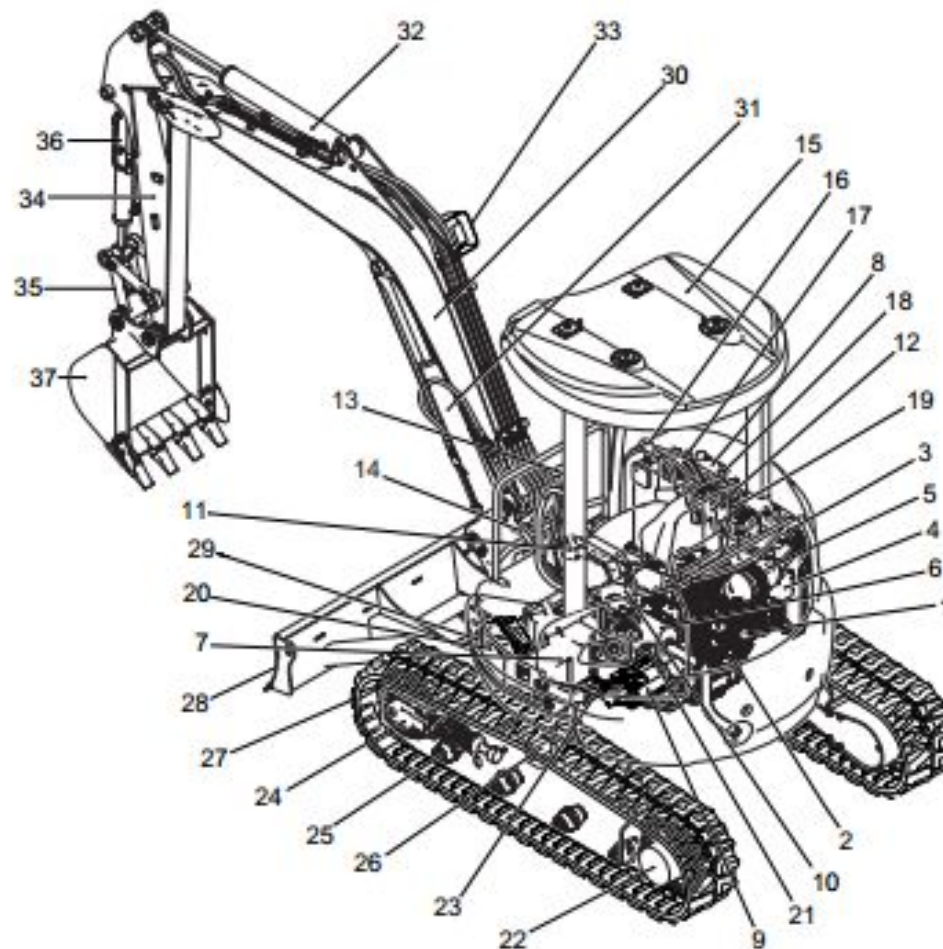
model

**CX31B
CX36B**

INDEX

1	SPECIFICATIONS
2	MAINTENANCE
3	SYSTEM
4	DISASSEMBLING
5	TROUBLESHOOTING
6	ENGINE
7	INSTALLATION PROCEDURES FOR OPTIONAL ATTACHMENT
8	SUPPORTING DATA

2.1 COMPONENTS NAME



No.	NAME	No.	NAME	No.	NAME	No.	NAME
1	Engine	2	Oil filter	3	Radiator	4	Reservoir tank
5	Air cleaner	6	Muffler	7	Fuel tank	8	Hydraulic reservoir
9	Hydraulic pump	10	Slewing motor	11	Swing cylinder	12	Control valve
13	Travel lever	14	Safety lock lever	15	Canopy	16	Operating lever
17	Dozer operating lever	18	Throttle lever	19	Monitor panel (gauge cluster)		
20	Battery	21	Swivel joint	22	Travel motor	23	Slewing bearing
24	Idler assy	25	Lower roller	26	Upper roller	27	Rubber track
28	Dozer blade	29	Dozer cylinder	30	Boom	31	Boom cylinder
32	Dipper cylinder	33	Light	34	Dipper	35	Link
36	Bucket cylinder	37	Bucket				

3.2.2 DIPPER MAINTENANCE STANDARDS

(1) Clearance of pin and bushing

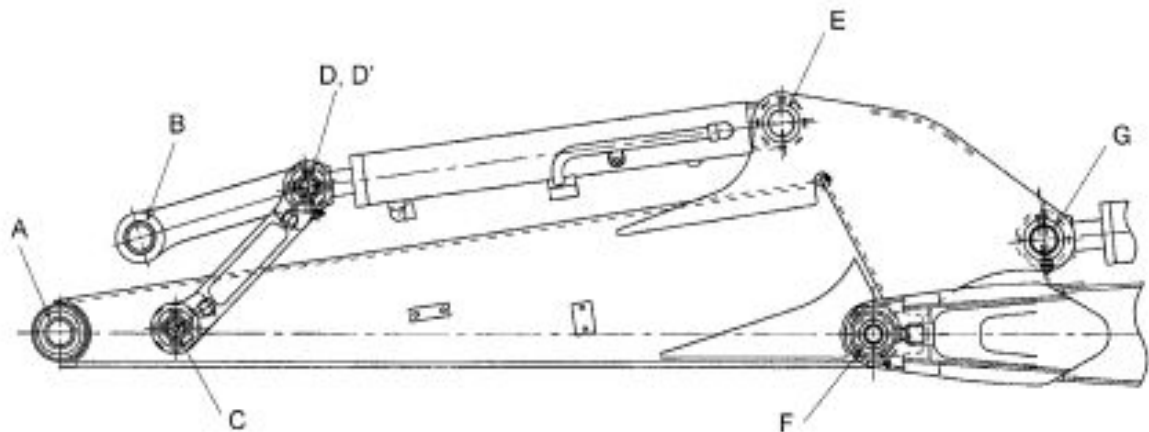


Fig. 3-5 Clearance of pin and bushing on dipper section

Table 3-5

• CX31B

Unit: mm (in)

Pos.	Item	Standard dimensions			Clearance			Remedy
		Pin dia.	Tolerance on pin dia.	Tolerance on bushing bore dia.	Standard value	Standard value for repair	Serviceability limit	
A	Dipper point (Connected part of bucket)	ø40 (1.575)	-0.02 -0.05 (-0.0008) (-0.0020)	+0.11 +0.06 (+0.0043) (+0.0024)	0.08~ 0.16 (0.0031~ 0.0063)	0.7 (0.028)	1.0 (0.039)	Replace bushing or pin
B	Bucket link (Bucket side)			+0.11 +0.05 (+0.0043) (+0.0020)	0.07~ 0.16 (0.0028~ 0.0063)			
C	Idler link (Connected part of dipper)			+0.08 +0.03 (+0.0031) (+0.0012)	0.05~ 0.13 (0.0020~ 0.0051)			
D	Bucket link (Idler link side)			+0.09 +0.03 (+0.0035) (+0.0012)	0.05~0.14 (0.0020~ 0.0055)			
D'	Bucket cylinder (Rod side)			+0.25 +0.05 (+0.0098) (+0.0020)	0.07~ 0.30 (0.0028~ 0.0118)			
E	Bucket cylinder (Head side)			+0.13 +0.07 (+0.0051) (+0.0028)	0.09~ 0.18 (0.0035~ 0.0071)			
F	Dipper foot (Connected part of boom)	ø45 (1.772)		+0.10 +0.05 (+0.0039) (+0.0020)	0.07~ 0.15 (0.0028~ 0.0059)			
G	Dipper cylinder (Rod side)			+0.13 +0.07 (+0.0051) (+0.0028)	0.09~ 0.18 (0.0035~ 0.0071)			



Thank you very much
for your reading.
Please click here
to get more information.