

# Case CX460 Crawler Excavators Service Repair Workshop Manual



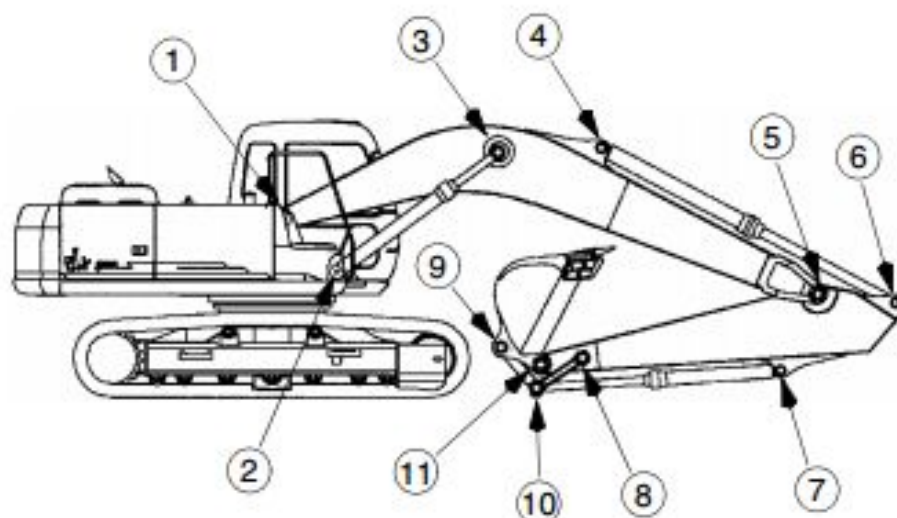
# CX460 Crawler Excavators

## Table of Contents

DIVISION/SECTION	SECTION N°	REFERENCE N°
<b>1 GENERAL INFORMATION</b>		
Safety, general information and standard torque data .....	1001	7-27690GB
General specifications and special torque setting.....	1002	9-36460GB
<b>2 ENGINE</b>		
Removal and installation of the engine .....	2000	9-54180GB
Radiator and oil-cooler.....	2001	9-43480GB
Engine specifications .....	*	
Disassembly and assembly of the engine.....	*	
<b>3 FUEL SYSTEM</b>		
Fuel tank .....	3001	9-43470GB
Fuel engine system.....	*	
<b>4 ELECTRICAL SYSTEM</b>		
Electrical system, electrical and electronic troubleshooting.....	4001	9-40950GB
Inspection and maintenance of batteries and connecting a booster battery....	4002	9-43460GB
Main and engine electronic control boxes.....	4003	9-43450GB
<b>5 UNDERCARRIAGE</b>		
Removal and installation of tracks .....	5001	9-42910GB
Rollers.....	5003	9-44830GB
Sprocket.....	5004	9-36890GB
Idler wheel and tension shock absorber .....	5005	9-44820GB
<b>6 DRIVE TRAIN</b>		
Drive motor and final drive transmission removal and installation.....	6001	9-43140GB
Swing reduction gear, removal and installation.....	6003	9-44810GB
Swing reduction gear, disassembly and assembly .....	6004	9-44590GB
Travel reduction gear assembly and disassembly .....	6005	9-53710GB
<b>7 UNDERCARRIAGE HYDRAULICS</b>		
<b>8 UPPERSTRUCTURE HYDRAULICS</b>		
Depressurising and decontaminating the hydraulic system, use of the vacuum pump and bleeding the components .....	8000	9-44560GB
Specifications, troubleshooting, checks and hydraulic pressure settings .....	8001	9-36910GB
Hydraulic reservoir removal and installation .....	8002	9-43230GB
Main and pilot pumps, removal and installation .....	8003	9-53950GB
Main hydraulic control valve, removal and installation.....	8004	9-53990GB
Attachment cylinders, removal and installation.....	8005	9-43250GB
Hydraulic swivel, removal and installation .....	8006	9-43390GB
Pilot blocs, removal and installation.....	8007	9-53980GB
Swing motor, removal and installation .....	8008	9-53970GB
Main hydraulic pump, disassembly and assembly.....	8010	9-43330GB
Main hydraulic control valve, disassembly and assembly.....	8011	9-54310GB
Attachment cylinders, disassembly and assembly.....	8012	9-53690GB
Hand control levers, disassembly and assembly .....	8013	9-54000GB
Foot control levers, disassembly and assembly .....	8014	7-28210GB
Six-solenoid valves, disassembly and assembly .....	8015	9-54050GB
Caution valve, disassembly and assembly .....	8016	7-27942GB
Safety valve .....	8017	9-54100GB
Hydraulic swivel, disassembly and assembly .....	8018	9-43190GB
Swing motor, disassembly and assembly .....	8019	9-54140GB
Hydraulic functions.....	8020	9-42740GB
Travel hydraulic motor, disassembly and assembly.....	8021	9-43160GB

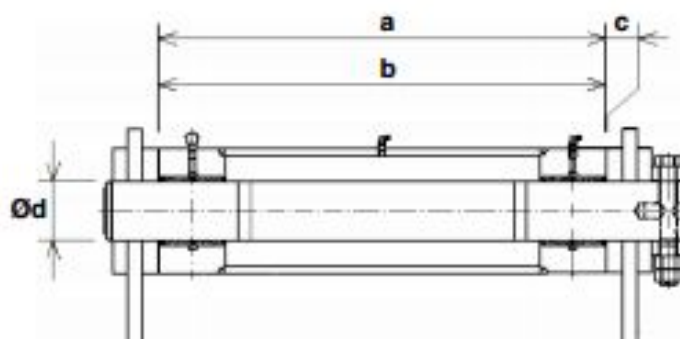


## DIMENSIONS AND WEAR LIMITS OF ATTACHMENT LINKAGES



CS018521

### 1. Boom foot/Frame



CS018522

Mark		Dimension (mm)
a	Standard	874
	Limit	882
b	Standard	873
	Limit	870
c (a - b)	Standard	1.5 to 3.5
	Limit	Shims
Ø d (shaft)	Standard	120
	Limit	119
Ø d (bushing)	Standard	120
	Limit	121.5

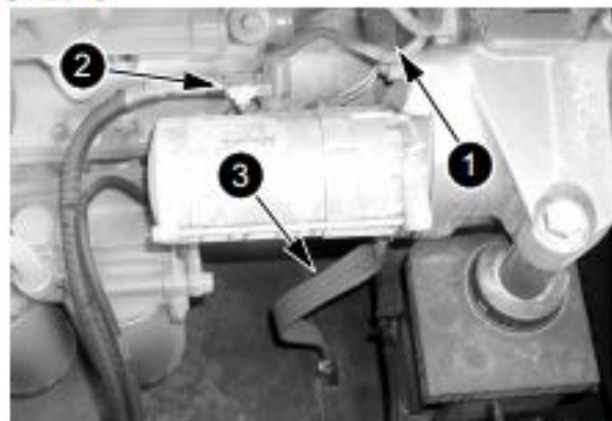
**STEP 8**



CD02K005

Label and disconnect the electrical connections from the water temperature sensor (1).

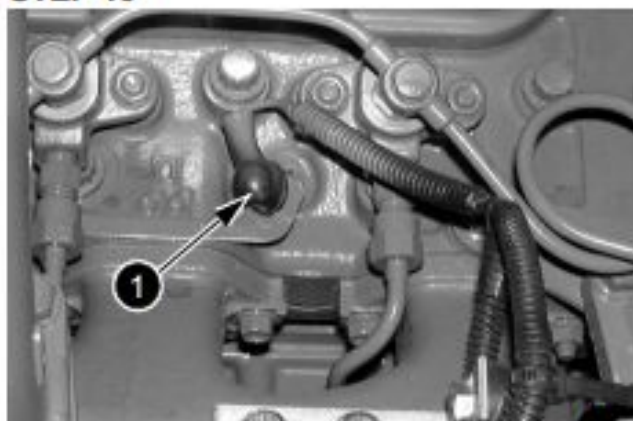
**STEP 9**



CD02K006

Label and disconnect the oil pressure sensor electrical connection (1), disconnect the starter motor electrical cables (2) and the earthing braid (3).

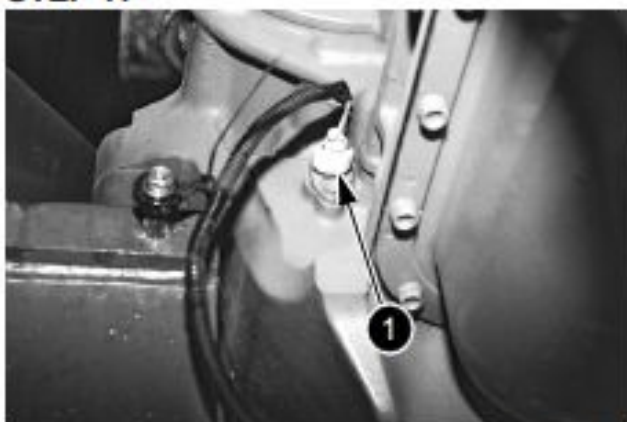
**STEP 10**



CD00J030

Label and disconnect the electrical supply (1) to the pre-heating plugs.

**STEP 11**



CD02K007

Disconnect the speed control sensor electrical connections (1).

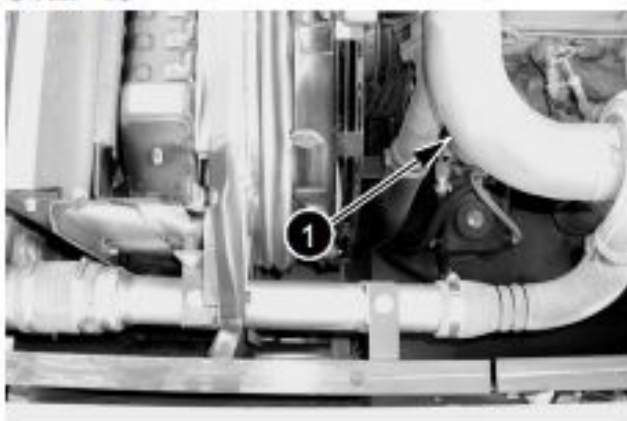
**STEP 12**



CD02K008

Label and disconnect the electrical connections of the electronic regulation (1) from the engine.

**STEP 13**



CD02K009

Remove the hose connecting the turbo-charger to the air filter (1).



Thank you very much  
for your reading.  
Please click here  
to get more information.