



# OPERATOR'S MANUAL

## 7110E/20E Tractor



9-15022

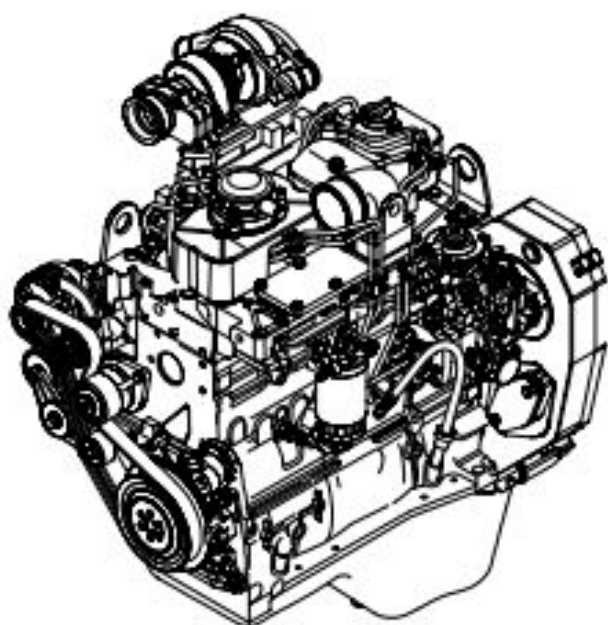
---

# REPAIR MANUAL FOR ENGINES

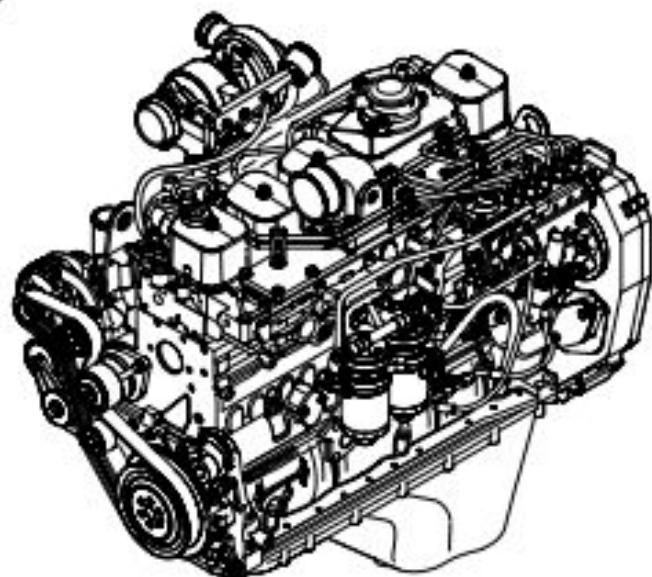
**F4BE0484E**

**F4BE0684D**

**F4BE0684B**



**F4BE0484E**



**F4BE0684D F4BE0684B**

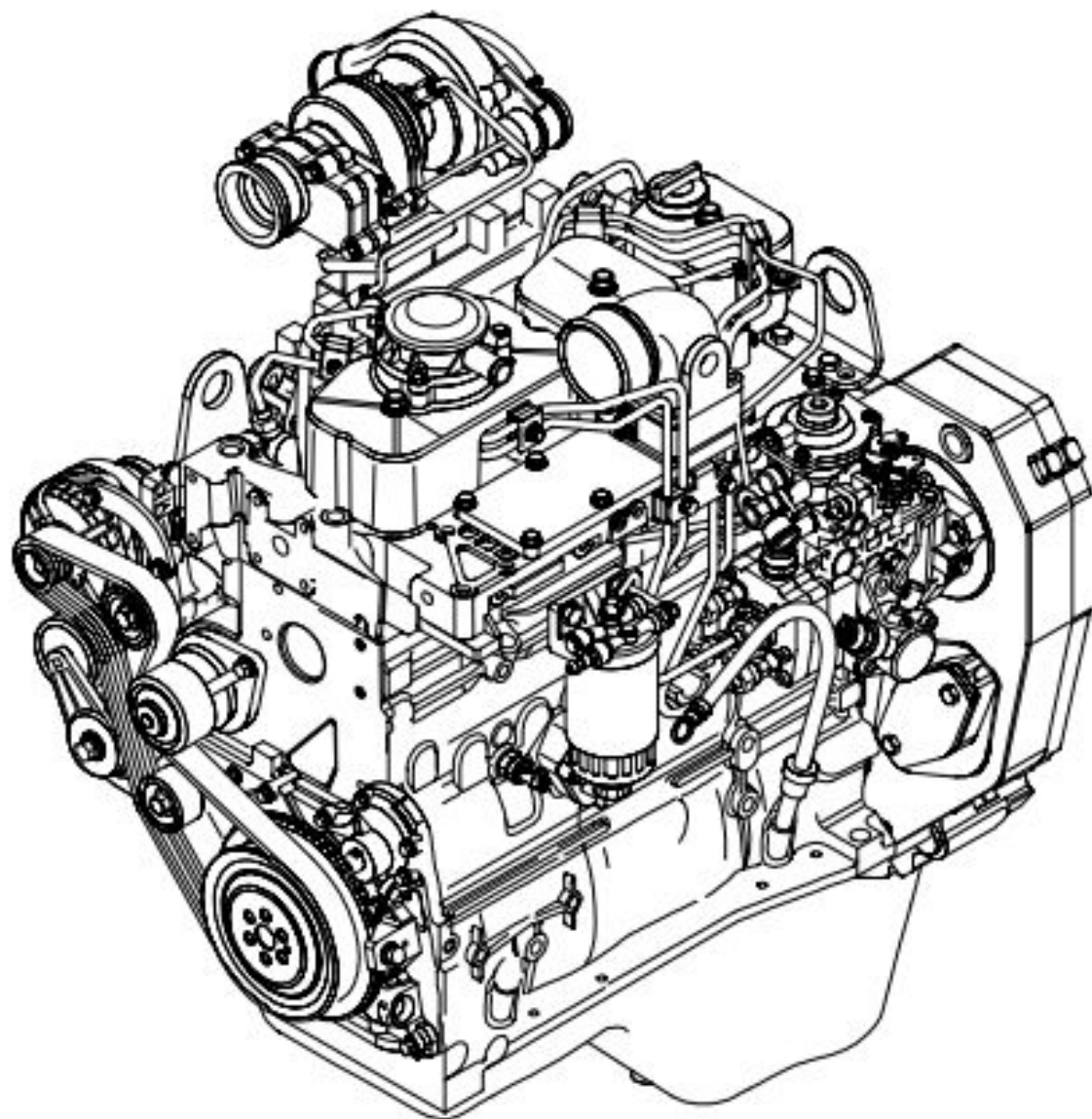
*Every information, illustration and specification contained in the present manual is based on the most recent information available at the time of printing.*

*CNH France S.A. reserves the right to modify the content of any time without prior communication.*

## ENGINE F4BE0484E OVERHAUL

## ENGINE F4BE0484E

Figure 1



**Cylinder head**

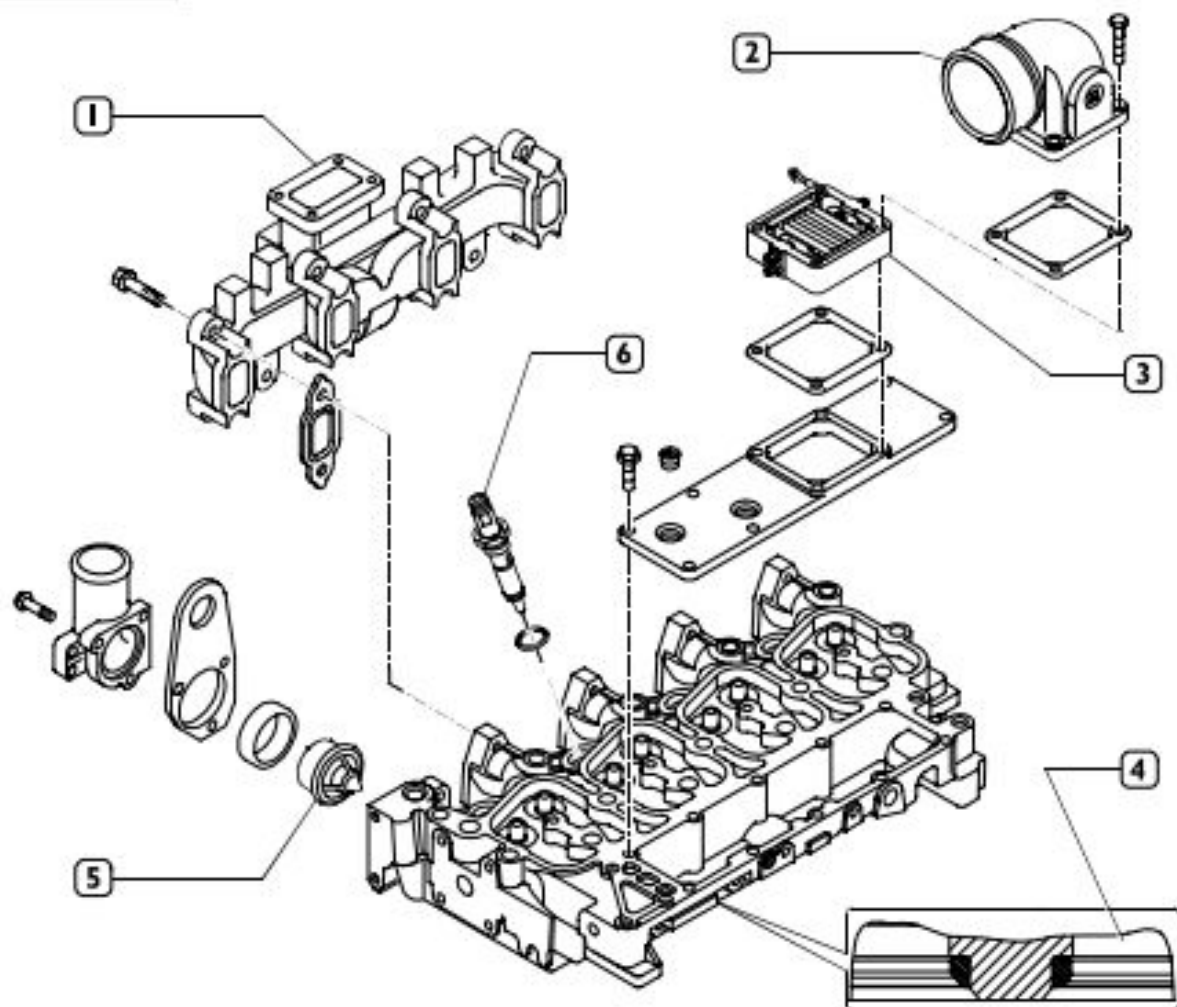
The seats of the following parts are obtained from the cast-iron cylinder head:

- inserted valve seats (4);
- injector (6);
- thermostat (5);

Moreover, the following components are inserted on the heads:

- single-block exhaust manifold (1);
- intake manifold (2) with seat for cold start air heater (3).

Figure 10



84240

DETAIL OF CYLINDER HEAD WITH INSERTED VALVE SEATS



Thank you very much  
for your reading.  
Please click here  
to get more information.