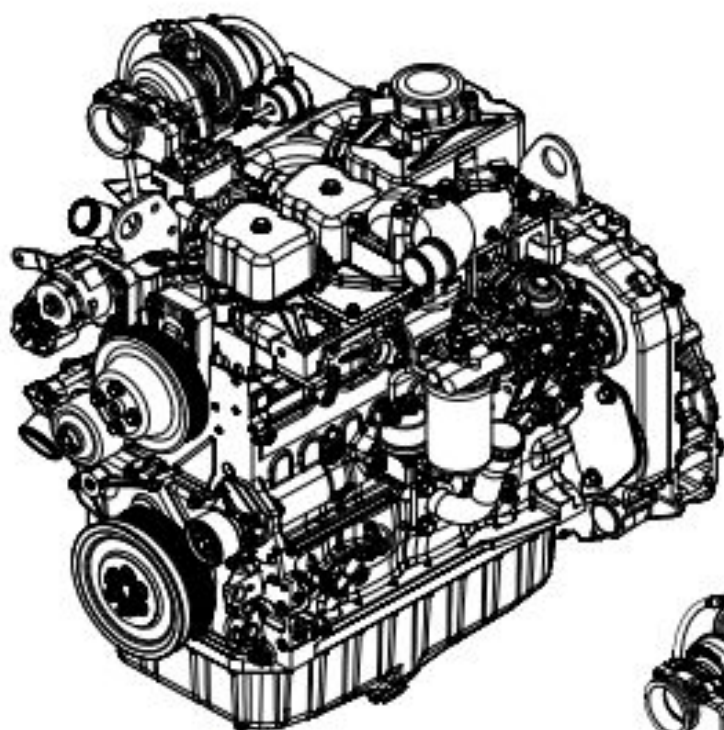


Case F4GE0454C,F4GE0484G Engine Service Repair Workshop Manual

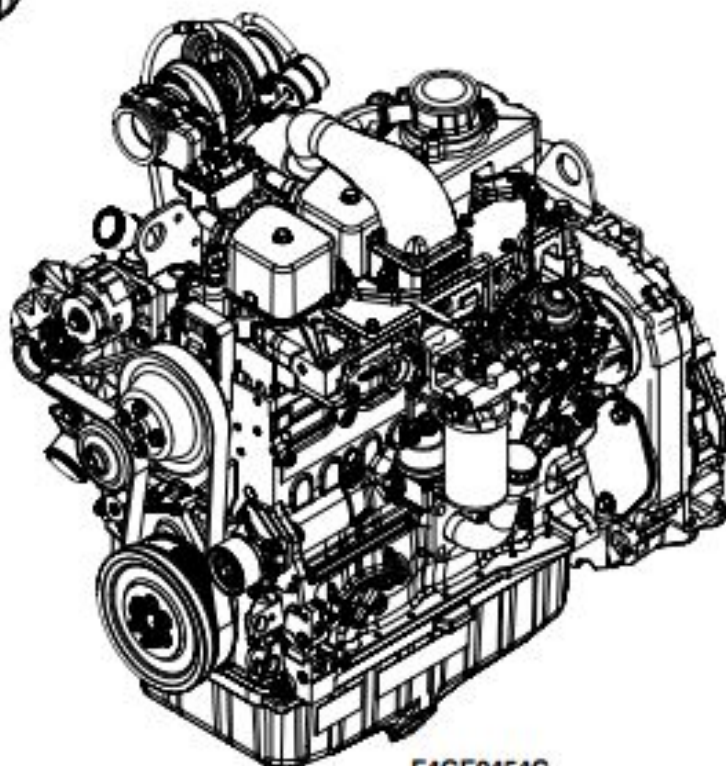


REPAIR MANUAL FOR ENGINES

F4GE0454C - F4GE0484G



F4GE0484G



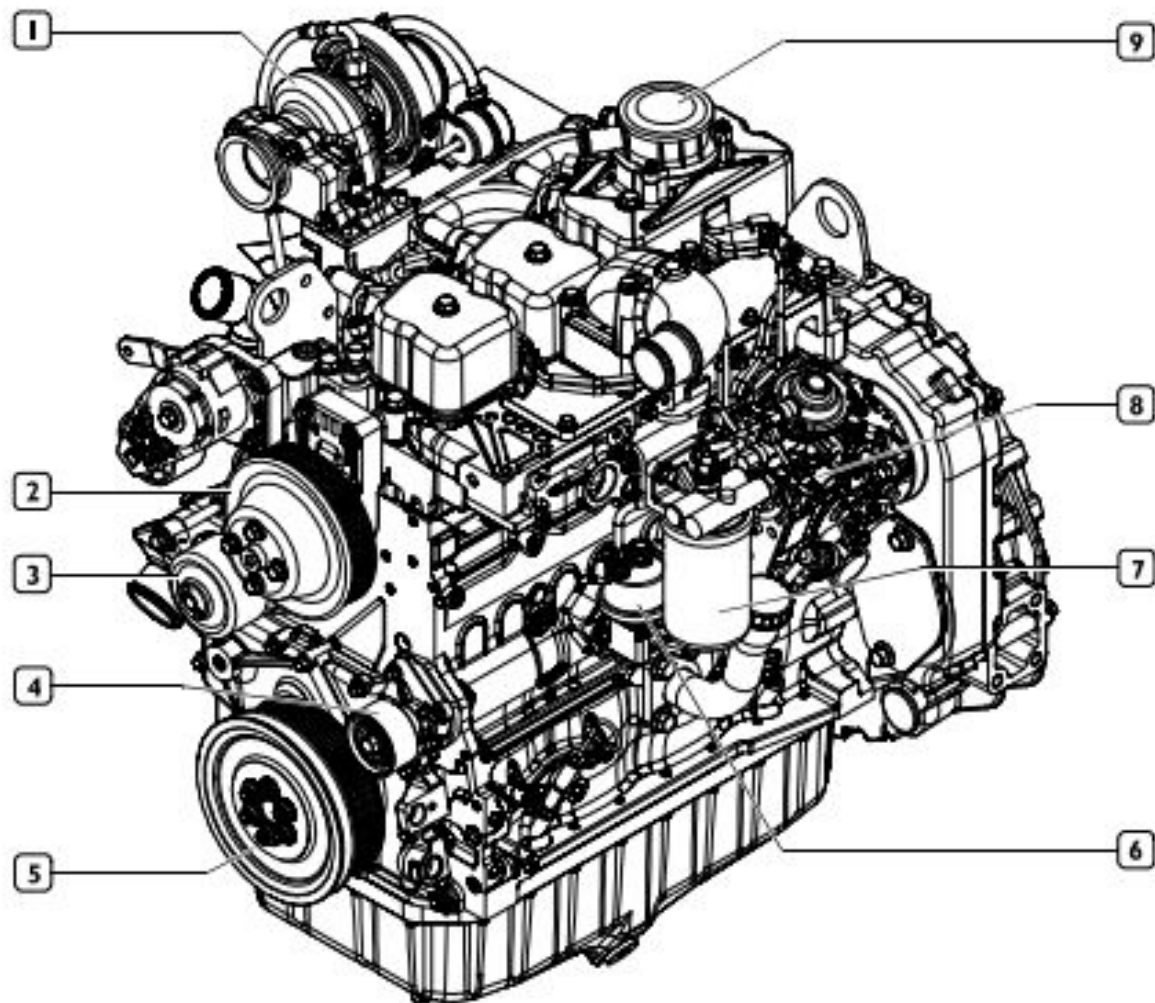
F4GE0454C

Every information, illustration and specification contained in the present manual is based on the most recent information available at the time of printing.

CNH France S.A. reserves the right to modify the text at any time without prior communication.

F4GE0484G ENGINES

Figure 4



80553

1. Turbo-charger - 2. Fan pulley - 3. Water pump - 4. Fixed guide pulley - 5. Crankshaft pulley -
6. Priming pump - 7. Fuel filter - 8. Rotary injection pump - 9. Blow-by

ENGINES F4GE0454C - F4GE0484G OVERHAUL

F4GE0484G engine cylinder head

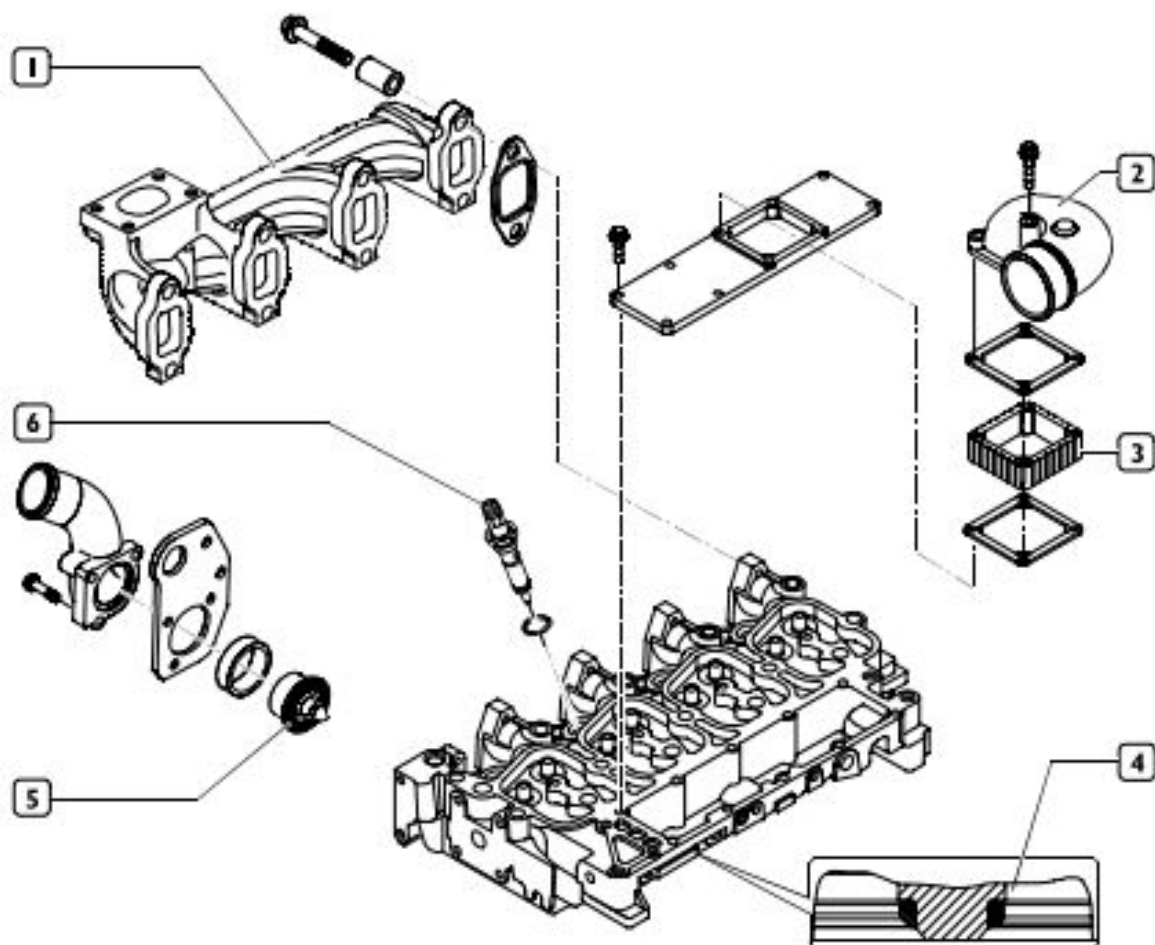
The seats of the following parts are obtained from the cast-iron cylinder head:

- inserted valve seats (4);
- injector (6);
- thermostat (5);

Moreover, the following components are inserted on the heads:

- single-block exhaust manifold (1);
- intake manifold (2) with seat for cold start air heater (3).

Figure 12



80559

DETAIL OF THE CYLINDER HEAD WITH VALVE SEATS



Thank you very much
for your reading.
Please click here
to get more information.