



# OPERATOR'S MANUAL

**CM, KM & SM  
Tractors**

37-123R1

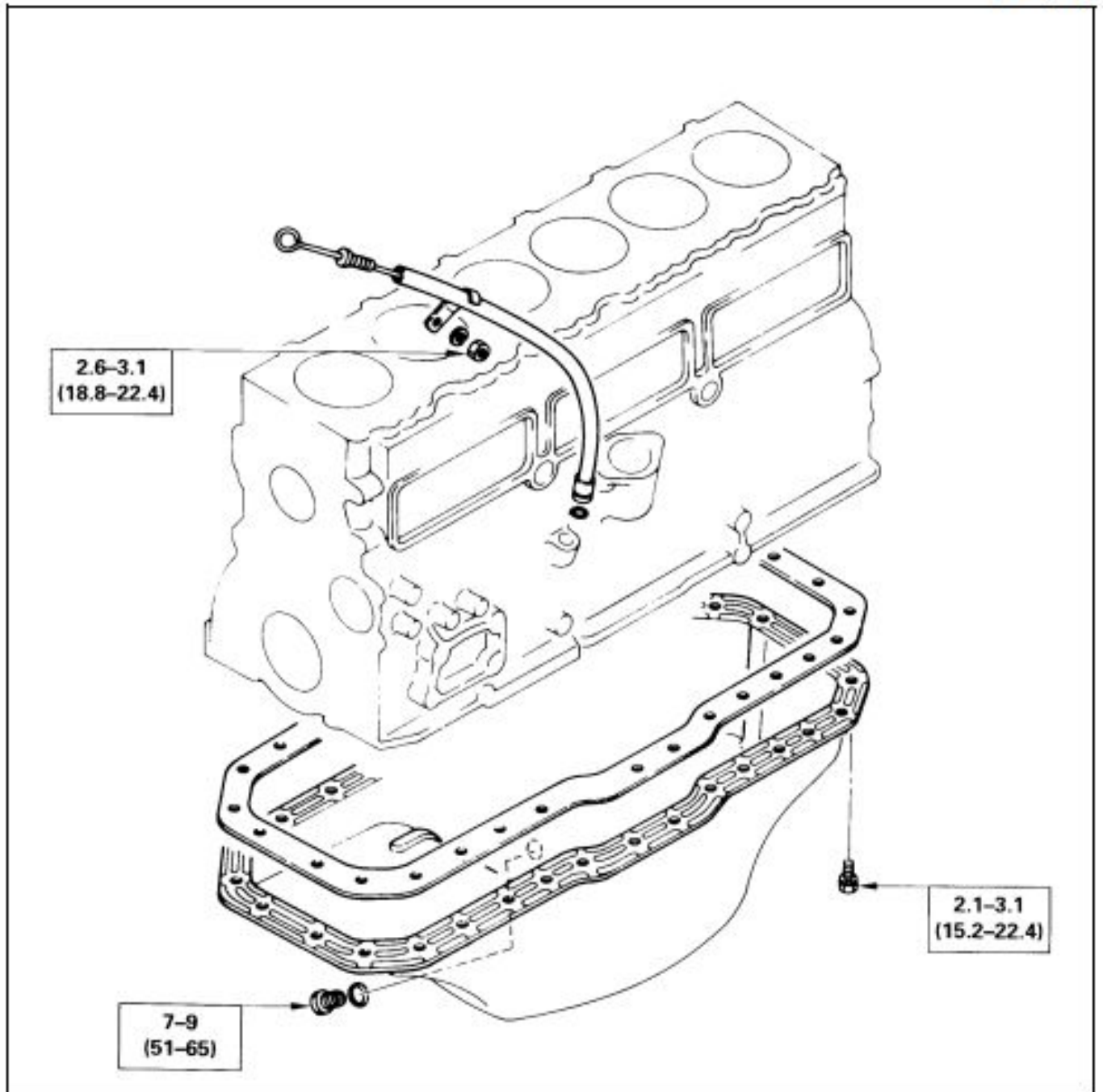


**SERVICE MANUAL**  
**4BG1T and 6BG1T ISUZU**  
**ENGINES**

<b>TABLE OF CONTENTS</b>	
<b>SECTION</b>	<b>DESCRIPTION</b>
<b>1</b>	General Information
<b>2</b>	Maintenance
<b>3</b>	Disassembly
<b>4</b>	Inspection and repair
<b>5</b>	Reassembly
<b>6</b>	Lubricating system
<b>7</b>	Cooling system
<b>8</b>	Fuel system
<b>12</b>	Troubleshooting
<b>13</b>	Special tools

## OIL PAN AND DIPSTICK

kgf.m (lb.ft)





Thank you very much  
for your reading.  
Please click here  
to get more information.