

# John Deere 1050K (SN. C318802-) Crawler Dozer Operation & Test Technical Service Manual (TM14349X19)

**1050K Crawler Dozer  
Operation and Test**  
(PIN: 1T01050K\_\_C318802—)



JOHN HARE



COLLECTION

## OPERATION & TEST TECHNICAL MANUAL 1050K Crawler Dozer (PIN: 1T01050K\_\_C318802—)

TM14349X19 01DEC18 (ENGLISH)

For complete service information also see:

1050K Crawler Dozer Operators Manual ..... om1312939x19  
PowerTech 6135 Diesel Engine Level 15 Electronic Fuel  
Systems With Delphi EUIs ..... ctm370  
1050K Crawler Dozer Repair ..... TM14350X19



Worldwide Construction and  
Forestry Division

**Covers:** 1050K,1T01050K\_\_,\_C318802(???)

**Type:** Service Manual

**Language:** English

**Pages:** 805

**Format:** PDF

**Features:** Bookmarked, searchable, printable

**Compatibility:** Windows/Mac/Tablet/Mobile

This service manual contains important information for the maintenance, troubleshooting and servicing of the **John Deere 1050K (SN. C318802-) Crawler Dozer Operation & Test Technical Service Manual (TM14349X19)**

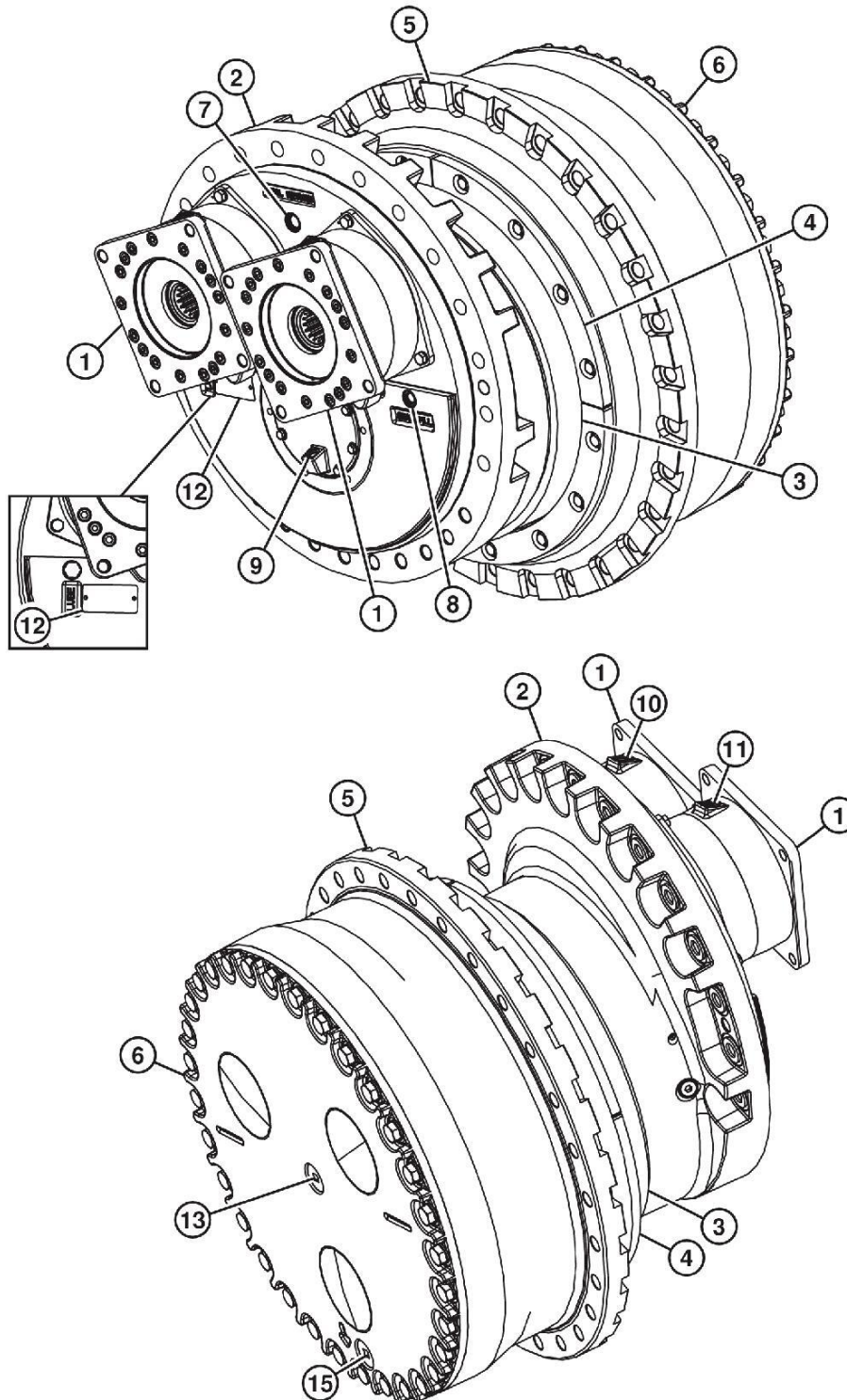
In this manual you will find detailed specifications, illustrations, schematics, diagrams and step-by-step procedures to properly service and diagnose the machine to the manufacturer's standards.

**Contents:**

- General Information
- Specifications
- Serial Number Location
- Engine Specifications
- Engine Diagnostics
- Engine Tests and Adjustments
- Engine Repair
- Power Train
- Transmission
- Axles
- Differential
- PTO
- Hydraulic System
- Electrical System
- Electrical Tests and Diagnostics
- Wiring Diagram / Schematic
- Ignition and Charging
- Steering
- Brakes
- Wheels
- Operator's Platform
- Body Panels
- Disassembly and Assembly
- Diagnostics, Tests and Adjustments
- Troubleshooting
- and much more...

Please note this manual is in **downloadable PDF format only**. If you have any questions about this product or would like to request sample pages, please contact us and reference the product name or SKU.

### Final Drive Component Location



#### TX1161862

TX1161862-UN: Final Drive Component Location

**LEGEND:**

- 1-Park Brake Housing (2 used per side)
- 2-Inner Housing (with plug)
- 3-Inner Housing Cover
- 4-Final Drive Housing Guard (4 used per side)

- 5-Planetary Housing
- 6-Final Drive Cover
- 7-Seal Return Port
- 8-Seal Fill Port
- 9-Temperature Sensor Port

- 10-Brake Pressure Port
- 11-Brake Pressure Port
- 12-Serial Number Plate
- 13-Fill Plug
- 15-Drain Plug

CP94658,00009A6-19-20170320



Thank you very much  
for your reading.  
Please click here  
to get more information.