

John Deere 30G (SN.from K265001) Excavator Operation & Test Technical Service Manual (TM14234X19)

**30G Excavator
Operation and Test**
(PIN: 1FF030GX__K265001—)



JOHN HARE



COLLECTION

OPERATION & TEST TECHNICAL MANUAL
30G Excavator (PIN: 1FF030GX__K265001—)

TM14234X19 01DEC18 (ENGLISH)

For complete service information also see:

- 30G Excavator Repair..... TM14235X19
- 30G Excavator Operators Manual..... OMT398500X19



Worldwide Construction and
Forestry Division

Covers: 30G,1FF030GX__,K265001 (???)

Type: Service Manual

Language: English

Pages: 332

Format: PDF

Features: Bookmarked, searchable, printable

Compatibility: Windows/Mac/Tablet/Mobile

This service manual contains important information for the maintenance, troubleshooting and servicing of the **John Deere 30G (SN.from K265001) Excavator Operation & Test Technical Service Manual (TM14234X19)**

In this manual you will find detailed specifications, illustrations, schematics, diagrams and step-by-step procedures to properly service and diagnose the machine to the manufacturer's standards.

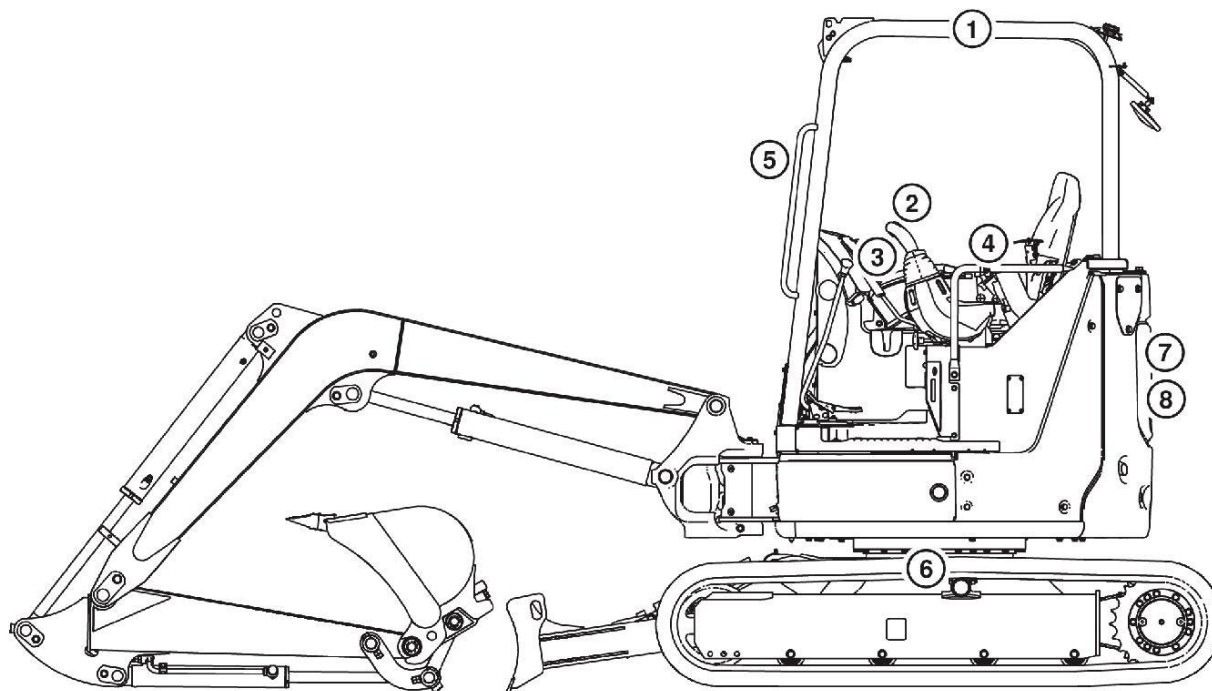
Contents:

- General Information
- Specifications
- Serial Number Location
- Engine Specifications
- Engine Diagnostics
- Engine Tests and Adjustments
- Engine Repair
- Power Train
- Transmission
- Axles
- Differential
- PTO
- Hydraulic System
- Electrical System
- Electrical Tests and Diagnostics
- Wiring Diagram / Schematic
- Ignition and Charging
- Steering
- Brakes
- Wheels
- Operator's Platform
- Body Panels
- Disassembly and Assembly
- Diagnostics, Tests and Adjustments
- Troubleshooting
- and much more...

Please note this manual is in **downloadable PDF format only**. If you have any questions about this product or would like to request sample pages, please contact us and reference the product name or SKU.

Safety and Operator Convenience Features

Canopy



TX1236794

TX1236794-UN: Safety and Operator Convenience Features

Please remember that the operator is the key to preventing accidents.

1. ROPS and OPS. Integrated rollover protective structure (ROPS) and operator protective structure (OPS) are designed to protect the operator. The enclosed, lockable cabin (if equipped) also provides protection from the weather and reduces vandalism.

2. Horn. Standard horn is useful when driving or signaling bystanders.

3. Pilot Shutoff Lever. A lever near the exit of the operator's station reminds the operator to deactivate hydraulic functions before leaving the machine.

4. Seat Belt With Retractors. Seat belt retractors help keep belts clean and convenient to use.

5. Handholds. Large, conveniently placed handholds make it easy to enter or exit the operator's station or service area.

6. Swing Brake. Swing brake engages automatically when the swing is not operated. Swing brake helps secure upperstructure when transporting the machine.

7. Travel Alarm. Alarm alerts bystanders of forward or reverse machine movement.

8. Engine Fan Guard. A fan guard inside the engine compartment helps prevent contact with the fan blades.



Thank you very much
for your reading.
Please click here
to get more information.