

John Deere 450K, 550K, 650K (SN. F305399-) Crawler Dozer Diagnostic Technical Manual (TM14162X19)

450K, 550K, 650K Crawler Dozer Operation and Test

(PIN: 1T0450KX__F304771—;
PIN: 1T0550KK__F305398—;
PIN: 1T0650KK__F305399—)



JOHN HARE



COLLECTION

OPERATION & TEST TECHNICAL MANUAL 450K, 550K, 650K Crawler Dozer

(PIN: 1T0450KX__F304771—; PIN: 1T0550KK__F305398—;
PIN: 1T0650KK__F305399—)

TM14162X19 01DEC18 (ENGLISH)

For complete service information also see:

4045 PowerTech 4-Val
PWL(Final Tier 4/Stage
450K, 550K, 650K Craw
JDLink™ 2G / 3G MTG

PDF



DOWNLOAD



Worldwide Construction and
Forestry Division

Covers: 450K,1T0450KX__,_F304771(◆◆◆◆◆◆◆◆),550K,1T0550KK__,_F305398

Type: Service Manual

Language: English

Pages: 892

Format: PDF

Features: Bookmarked, searchable, printable

Compatibility: Windows/Mac/Tablet/Mobile

This service manual contains important information for the maintenance, troubleshooting and servicing of the **John Deere 450K, 550K, 650K (SN. F305399-) Crawler Dozer Diagnostic Technical Manual (TM14162X19)**

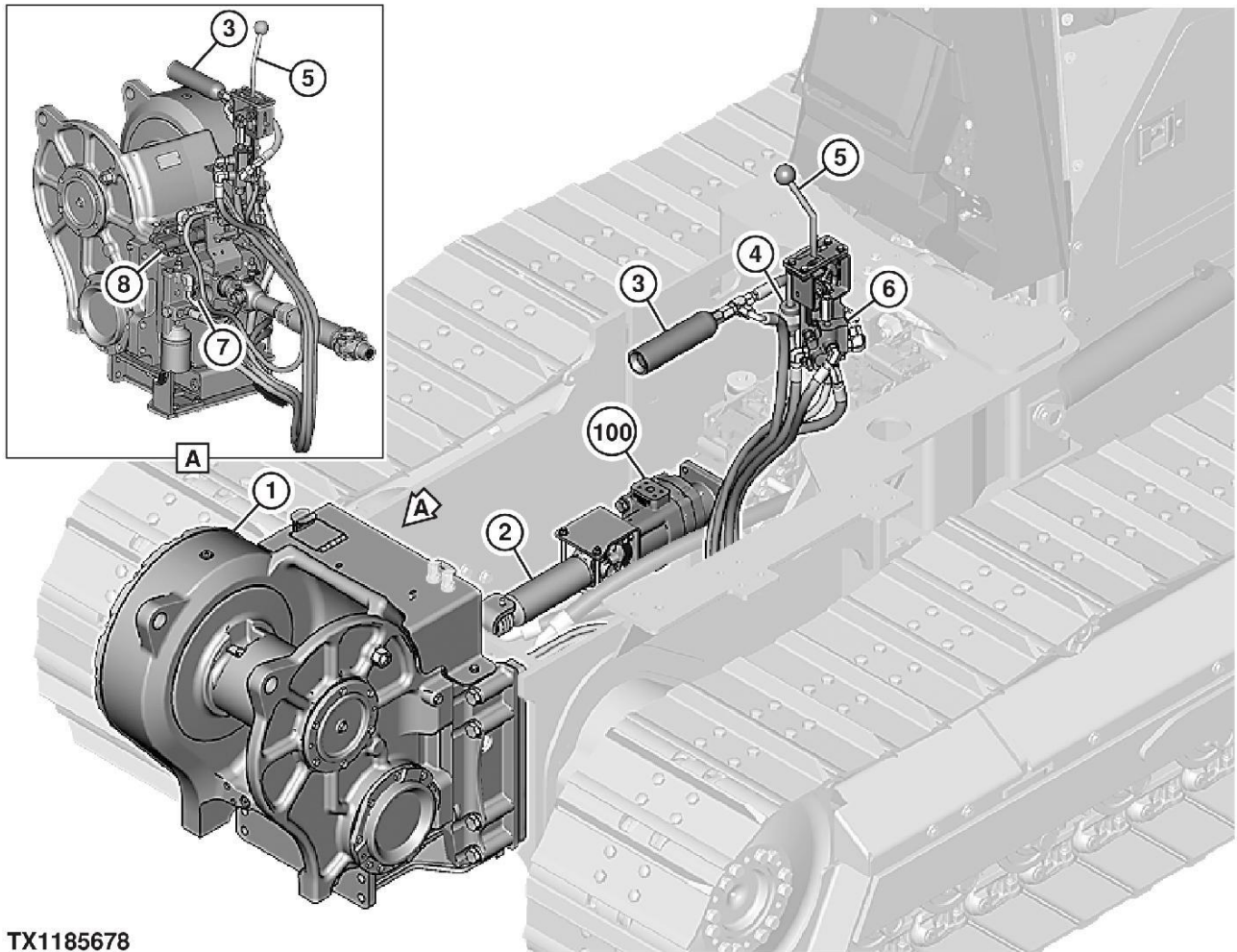
In this manual you will find detailed specifications, illustrations, schematics, diagrams and step-by-step procedures to properly service and diagnose the machine to the manufacturer's standards.

Contents:

- General Information
- Specifications
- Serial Number Location
- Engine Specifications
- Engine Diagnostics
- Engine Tests and Adjustments
- Engine Repair
- Power Train
- Transmission
- Axles
- Differential
- PTO
- Hydraulic System
- Electrical System
- Electrical Tests and Diagnostics
- Wiring Diagram / Schematic
- Ignition and Charging
- Steering
- Brakes
- Wheels
- Operator's Platform
- Body Panels
- Disassembly and Assembly
- Diagnostics, Tests and Adjustments
- Troubleshooting
- and much more...

Please note this manual is in **downloadable PDF format only**. If you have any questions about this product or would like to request sample pages, please contact us and reference the product name or SKU.

Winch Hydraulic Component Location



TX1185678

TX1185678-UN: Winch Component Location

LEGEND:

- 1-Winch
- 2-Drive Shaft
- 3-Winch Hydraulic Accumulator

- 4-Winch Control Valve Breather Tube
- 5-Winch Control Handle
- 6-Winch Pilot Control Valve

- 7-Winch Hydraulic Pump
- 8-Winch Control Valve
- 100-Hydraulic Motor

SK32936, 0000919-19-20150304



Thank you very much
for your reading.
Please click here
to get more information.